

NE/SW

NW/SE

TL 211

TL 401

NE/SE

POD 2
POINT OF RE-DIVERSION
(EXISTING DIVERSION WITH
FISH SCREEN, PUMP, AND METER)

NW/SW

NE/SW

ROGUE RIVER

TL 204

TL 207

SW/SE

SE/SE

SW/SW

16.3

1.4

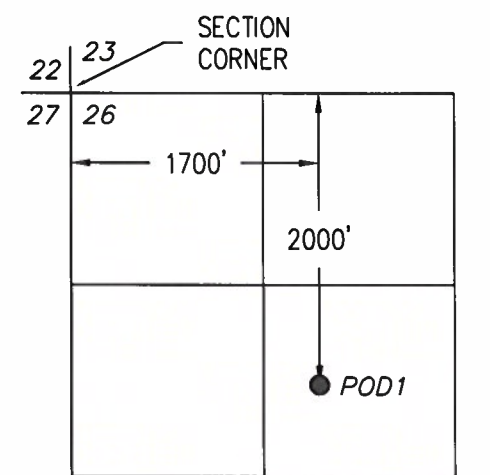
15.6

6.6

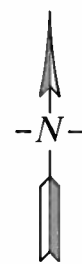
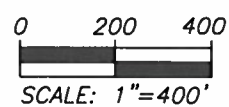
TL 206

30

29



LOST CREEK RESERVOIR
POINT OF DIVERSION
T.33S.,R.1E.,W.M.
SCALE: 1"=1320'



WATER RIGHT APPLICATION MAP

SURFACE WATER - PRIMARY IRRIGATION - (LOST CREEK RESERVOIR)
FOR

BUXTON FAMILY HOLDINGS, LLC
PO BOX 1087

GULF BREEZE, FL 32562
SITUATED IN

SECTIONS 29 & 30, TOWNSHIP 35 SOUTH, RANGE 1 WEST, W.M.
JACKSON COUNTY, OREGON

LEGEND

PLACE OF USE
PRIMARY IRRIGATION

1/4-1/4 SECTION LINE

WATERLINE (BURIED)

POINT OF RE-DIVERSION (POD2)
PUMP & FISH SCREEN

35' SOUTH AND 1800' EAST OF
W1/4 CORNER SECTION 29

FLOW METER

PUMP RECEIVED BY OWRD

This map is not intended to
provide legal dimensions or
locations of property
ownership lines.

EHM-March 4, 2015
RH2 ENGINEERING, INC.
www.rh2.com 1.800.720.8052

5-88009

MAR 13 2015

SALEM, OR