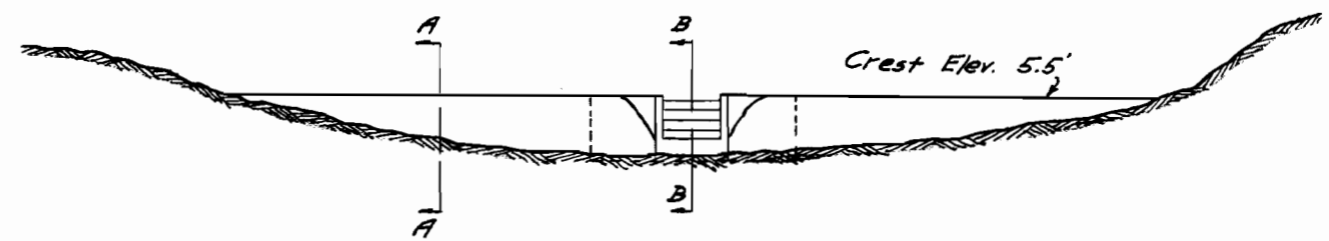
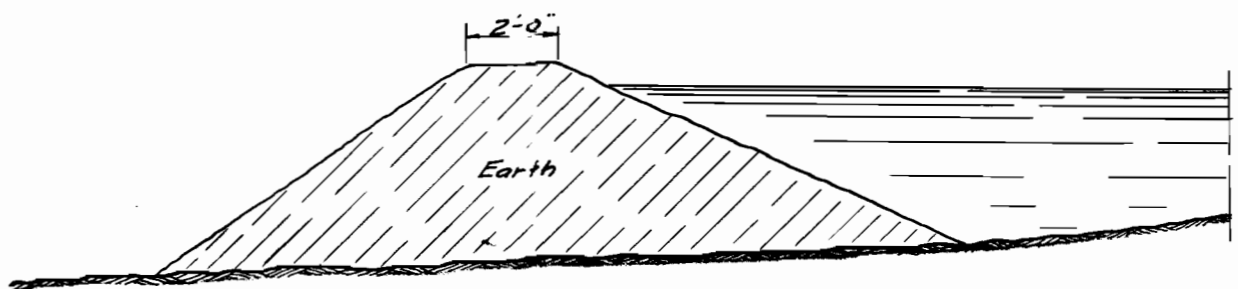


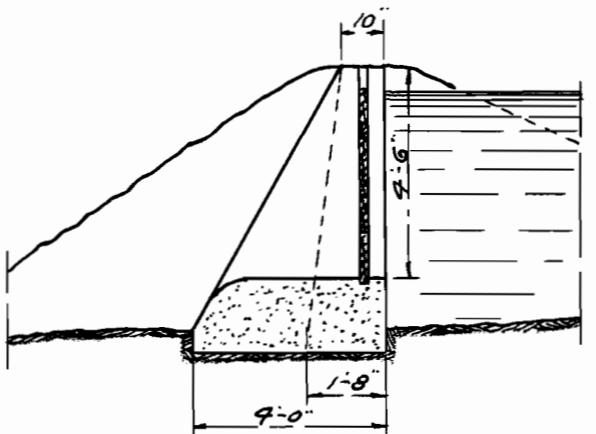
SECTION 34  
TOWNSHIP 1 N., RANGE 1 W., W.M.  
Scale 1"=600'



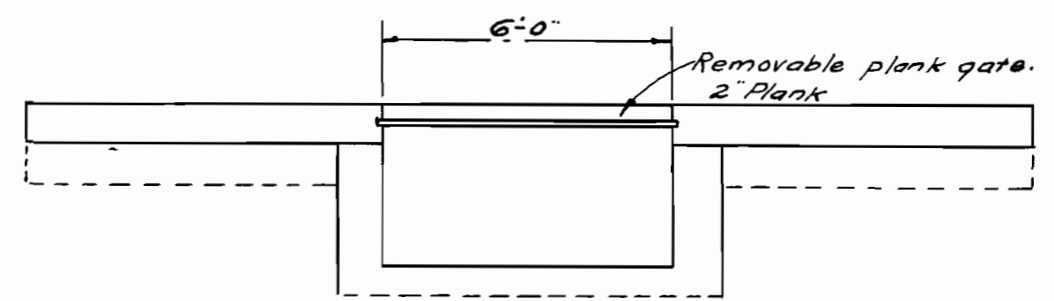
ELEVATION OF DAM  
Scale 1"=20'



SECTION A-A  
Scale 1/4"=1'



SECTION B-B  
Scale 1/4"=1'



PLAN OF SPILLWAY  
Scale 1/4"=1'

Application No. 10693  
Permit No. 282

MAP  
Accompanying application for reservoir site  
for FRANK H. REEVES  
PORTLAND, ORE.  
E.L. WILLIAMS REG. ENGR. No. 1071