

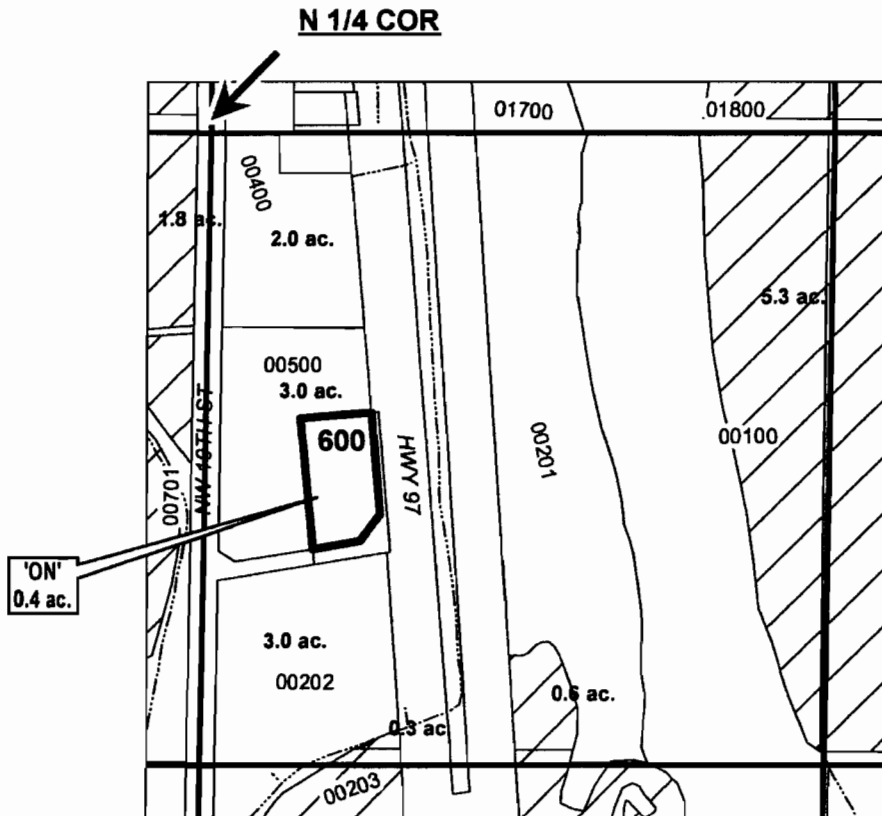
DESCHUTES COUNTY SEC.28 T14S R13E

SCALE - 1" = 400'



NW 1/4 OF THE NE 1/4

DISTRICT INTERNAL
NOTICE #: T-2010-014



RECEIVED

NOV 24 2010

WATER RESOURCES DEPT
SALEM, OREGON

	EXISTING WATER RIGHTS
	ON LAND PARCELS
	PARCELS W/ WATER RIGHTS

"ON" MAP



APPLICATION FOR WATER RIGHTS TRANSFER

COID / ALLAN R. SCHWERBEL

TAXLOT #: 600

0.4 ACRES

DATE: 05-27-10

FILE: E:\TRANSFER\WR\TRANS101141328_NWNE

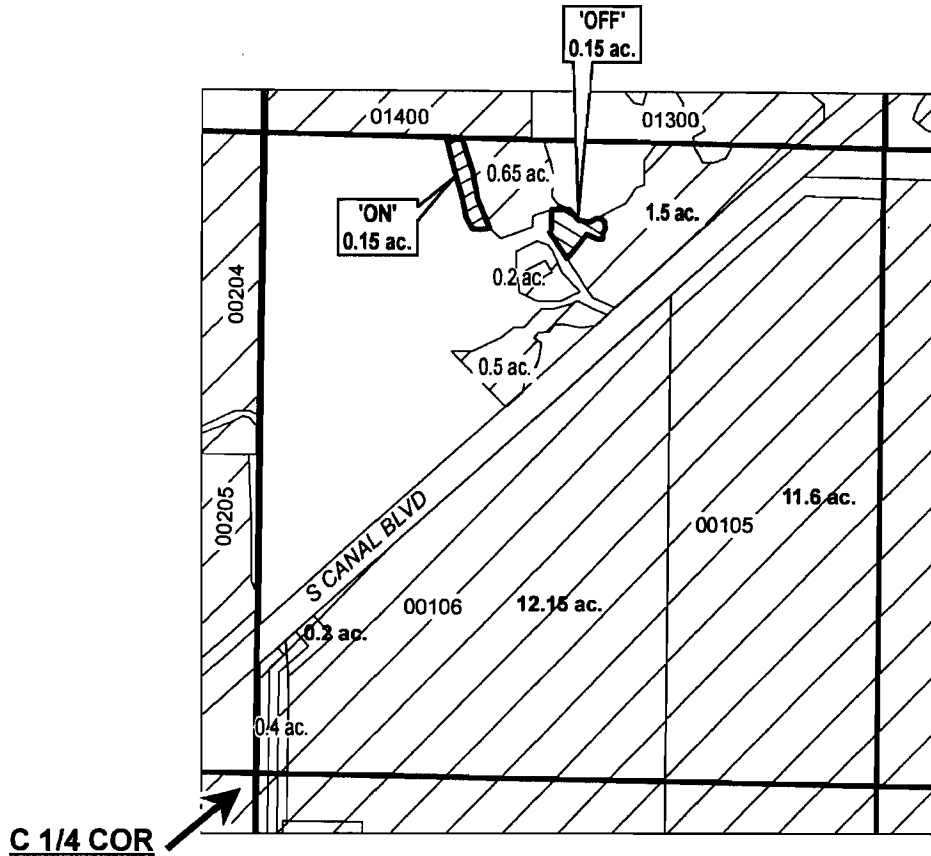
DESCHUTES COUNTY SEC.11 T16S R12E

SCALE - 1" = 400'



SW 1/4 OF THE NE 1/4

DISTRICT INTERNAL
NOTICE #: T-2010-003



RECEIVED

NOV 24 2010

WATER RESOURCES DEPT
SALEM, OREGON

	EXISTING WATER RIGHTS
	OFF LANDS
	ON LANDS

"OFF / ON" MAP



APPLICATION FOR WATER RIGHTS TRANSFER

JUANITA ATCHISON / JUANITA ATCHISON

TAXLOT #: 101

0.15 ACRES

DATE: 04-01-10

FILE: E:\TRANSFER\WRTRANS10161211_SWNE

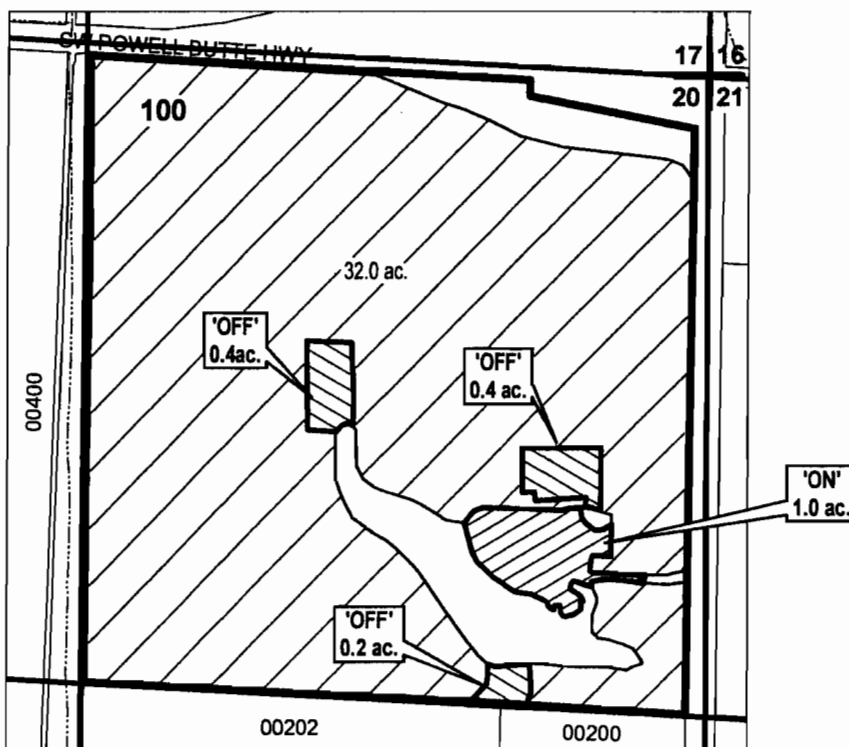
DESCHUTES COUNTY SEC.20 T16S R14E

SCALE - 1" = 400'



NE 1/4 OF THE NE 1/4

DISTRICT INTERNAL
NOTICE #: T-2010-005



RECEIVED

NOV 24 2010

WATER RESOURCES DEPT
SALEM, OREGON

	EXISTING WATER RIGHTS
	OFF LANDS
	ON LANDS

"OFF / ON" MAP



APPLICATION FOR WATER RIGHTS TRANSFER
THE ROMAN CATHOLIC BISHOP OF THE DIOCESE OF BAKER INC /
THE ROMAN CATHOLIC BISHOP OF THE DIOCESE OF BAKER INC

TAXLOT #: 100

1.0 ACRES

DATE: 04-01-10

FILE: E:\TRANSFER\WRTRANS10\161420_NENE

DESCHUTES COUNTY SEC.18 T17S R13E

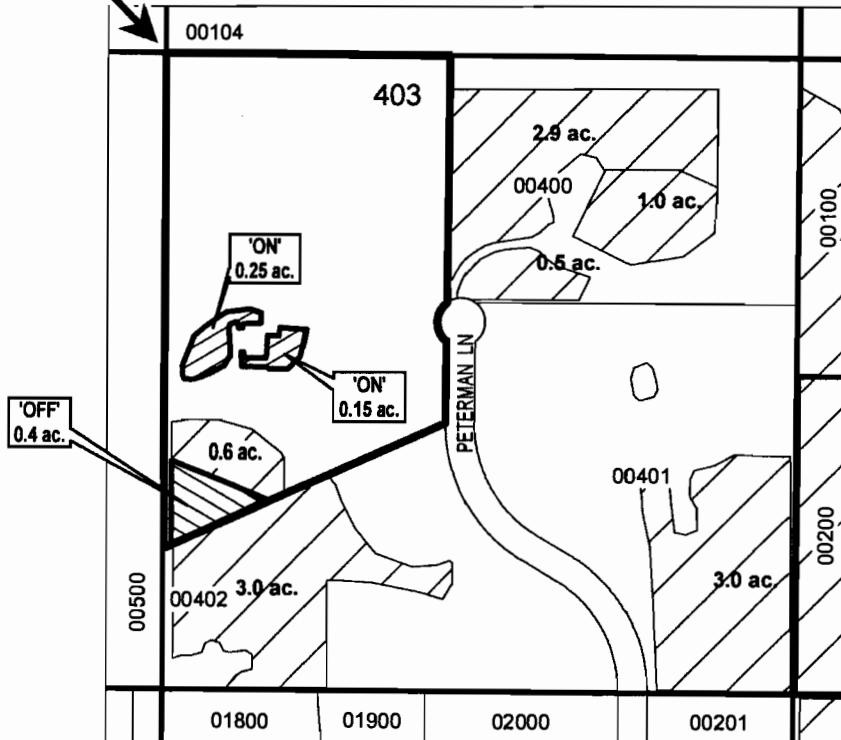
SCALE - 1" = 400'



NW 1/4 OF THE SE 1/4

DISTRICT INTERNAL
NOTICE #: T-2009-044

C 1/4 COR



RECEIVED

NOV 24 2010

WATER RESOURCES DEPT
SALEM, OREGON

	EXISTING WATER RIGHTS
	OFF LANDS
	ON LANDS

"OFF / ON" MAP



APPLICATION FOR WATER RIGHTS TRANSFER

ANTHONY EMICK & TINA BALL / ANTHONY EMICK & TINA BALL

TAXLOT #: 403

0.4 ACRES

DATE: 11-30-09

FILE: E:\TRANSFER\WRTRANS09\171318_NWSE

DESCHUTES COUNTY SEC.18 T17S R13E

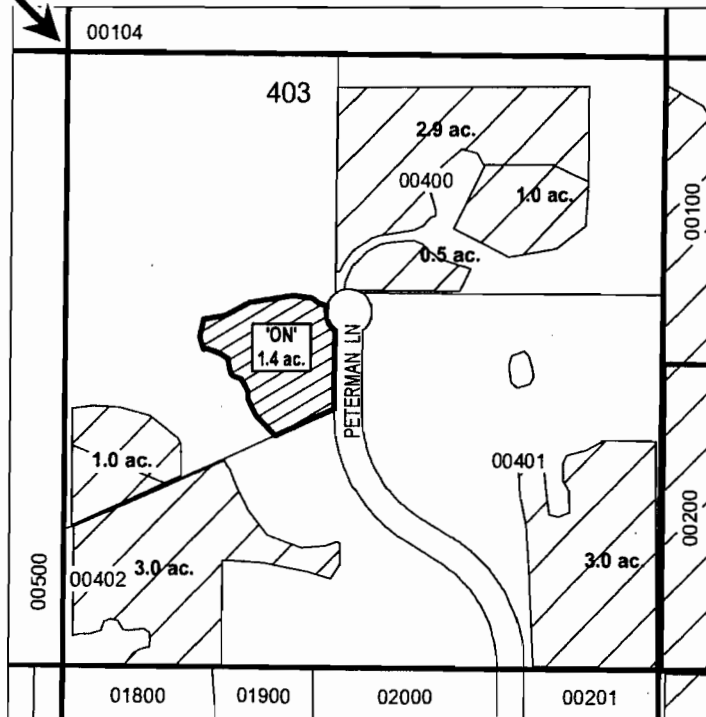
SCALE - 1" = 400'



NW 1/4 OF THE SE 1/4

DISTRICT INTERNAL
NOTICE #: T-2010-013

C 1/4 COR

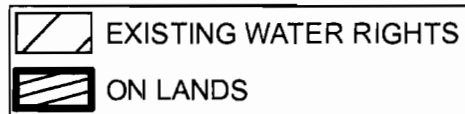


RECEIVED

NOV 24 2010

WATER RESOURCES DEPT
SALEM, OREGON

"ON" MAP



APPLICATION FOR WATER RIGHTS TRANSFER

COID / ANTHONY EMICK & TINA BALL

TAXLOT #: 403

1.4 ACRES

DATE: 05-07-10

FILE: E:\TRANSFER\WRTRANS10\171318_NWSE



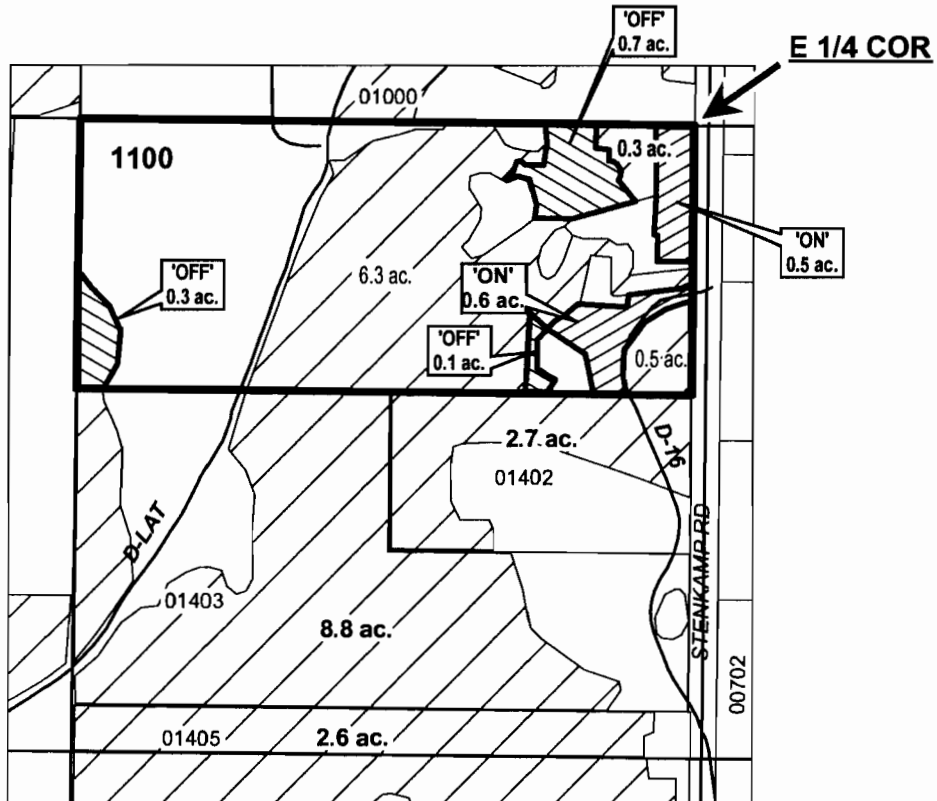
DESCHUTES COUNTY SEC.28 T17S R13E

SCALE - 1" = 400'



NE 1/4 OF THE SE 1/4

DISTRICT INTERNAL
NOTICE #: T-2009-043

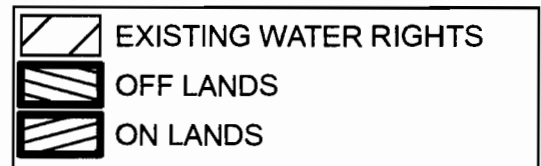


RECEIVED

NOV 24 2010

WATER RESOURCES DEPT
SALEM, OREGON

"OFF / ON" MAP



APPLICATION FOR WATER RIGHTS TRANSFER
REX ALAN & REBECCA JEAN AUKER / REX ALAN & REBECCA JEAN AUKER

TAXLOT #: 1100

1.1 ACRES

DATE: 10-06-09

FILE: E:\TRANSFER\WRTRANS09\171328_NESE

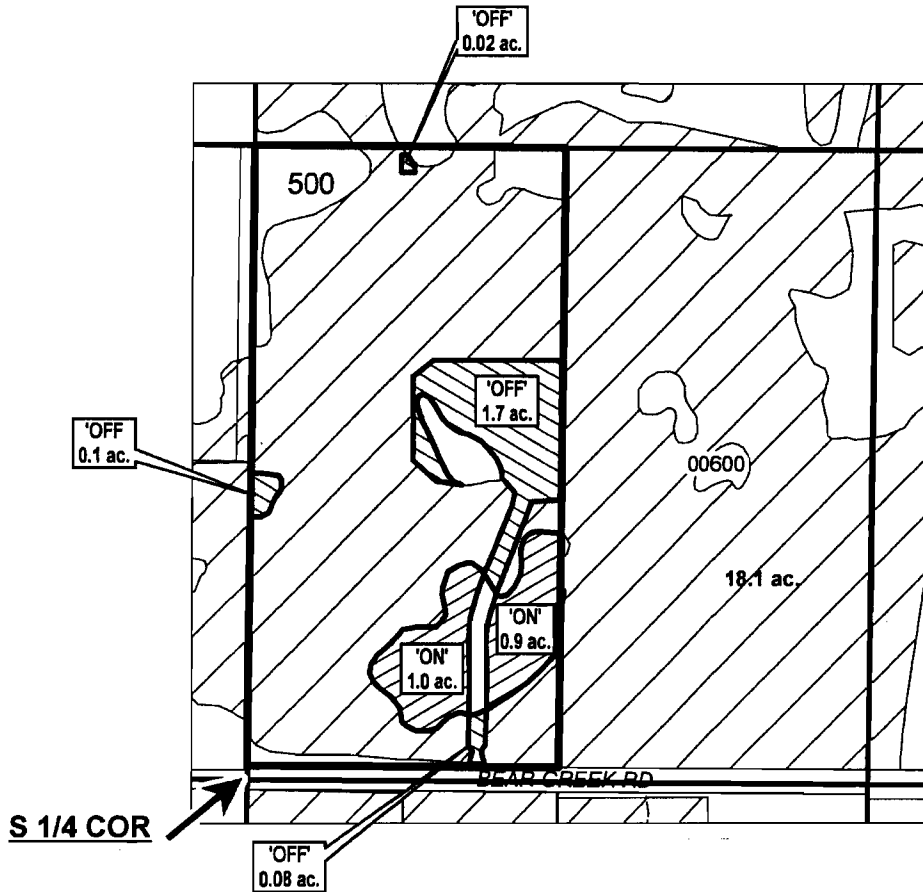
DESCHUTES COUNTY SEC.33 T17S R13E

SCALE - 1" = 400'



SW 1/4 OF THE SE 1/4

DISTRICT INTERNAL
NOTICE #: T-2009-036



RECEIVED

NOV 24 2010

WATER RESOURCES DEPT
SALEM, OREGON

	EXISTING WATER RIGHTS
	OFF LANDS
	ON LANDS

"OFF / ON" MAP



APPLICATION FOR WATER RIGHTS TRANSFER

DARRIN J. & NANCY A. KELLEHER / DARRIN J. & NANCY A. KELLEHER

TAXLOT #: 500

1.9 ACRES

DATE: 10-09-09

FILE: E:\TRANSFER\WRTRANS09\171333_SWSE

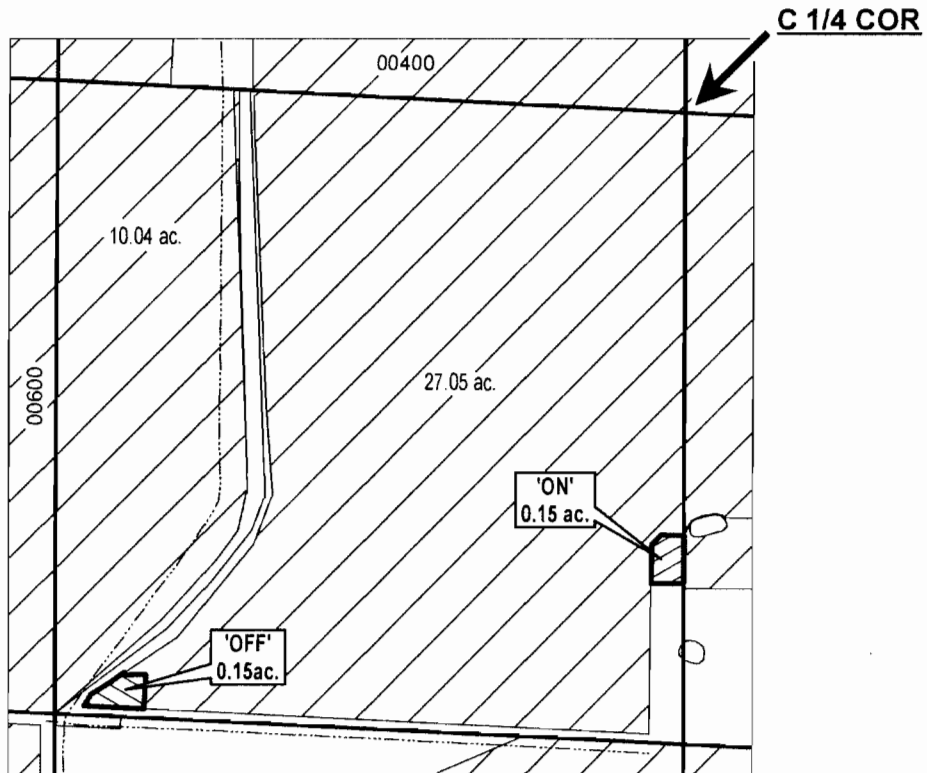
DESCHUTES COUNTY SEC.14 T17S R14E

SCALE - 1" = 400'



NE 1/4 OF THE SW 1/4

DISTRICT INTERNAL
NOTICE #: T-2010-016



RECEIVED

NOV 24 2010

WATER RESOURCES DEPT
SALEM OREGON

	EXISTING WATER RIGHTS
	OFF LANDS
	ON LANDS

"OFF / ON" MAP



APPLICATION FOR WATER RIGHTS TRANSFER

ROBT H & CHARLOTTE L MONTGOMERY TRUST /
ROBT H & CHARLOTTE L MONTGOMERY TRUST

TAXLOT #: 1000

0.15 ACRES

DATE: 06-30-10.

FILE: E:\TRANSFER\WRTRANS10\171414_NESW

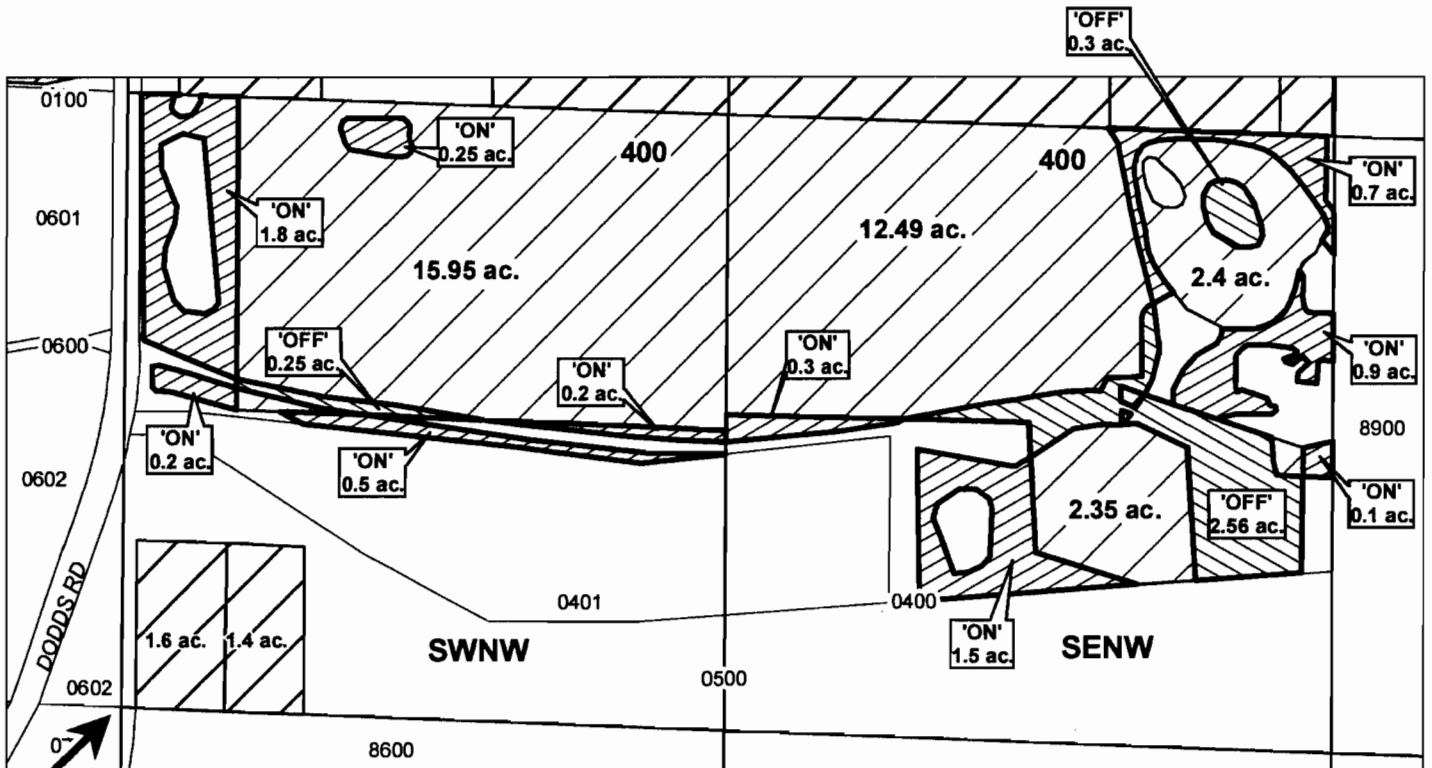
DESCHUTES COUNTY SEC.34 T17S R14E

SCALE - 1" = 400'



SW 1/4 OF THE NW 1/4; SE 1/4 OF THE NW 1/4

DISTRICT INTERNAL
NOTICE #: T-2010-008



W 1/4 COR

RECEIVED

NOV 24 2010

WATER RESOURCES DEPT
SALEM, OREGON

"OFF / ON" MAP

	EXISTING WATER RIGHTS
	OFF LANDS
	ON LANDS



APPLICATION FOR WATER RIGHTS TRANSFER

COID, GERALD ROBERT & MARY MCDONALD CLIFFORD /
GERALD ROBERT & MARY MCDONALD CLIFFORD

TAXLOT #: 400

6.45 ACRES

DATE: 06-14-10

FILE: E:\TRANSFERWRTRANS10171434_SNW

