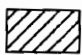

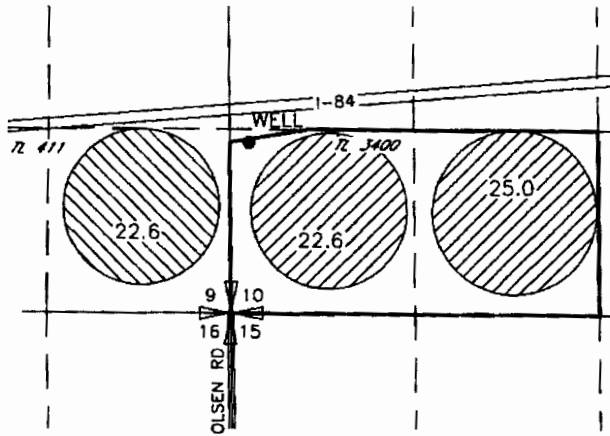


TRANSFER APPLICATION  
 MAP FOR  
 CRAIG COLEMAN  
 INVOLVING CERTIFICATES 56159 & 56160  
 T4N, R25E, WM  
 MORROW COUNTY

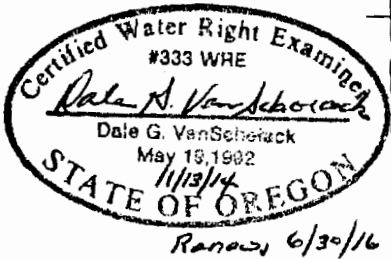
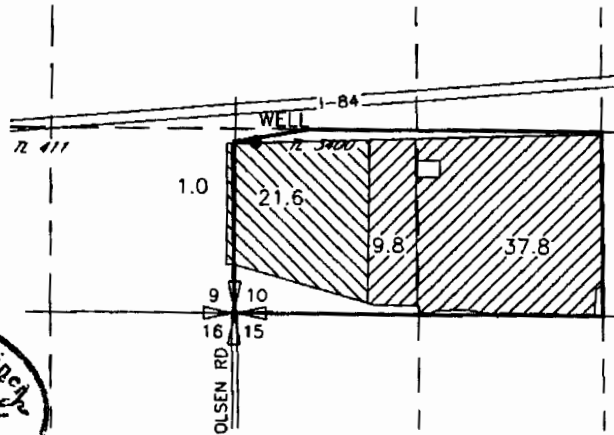
FROM

LEGEND

-  47.6 AC  
CERTIFICATE 56159
-  22.6 AC  
CERTIFICATE 56160

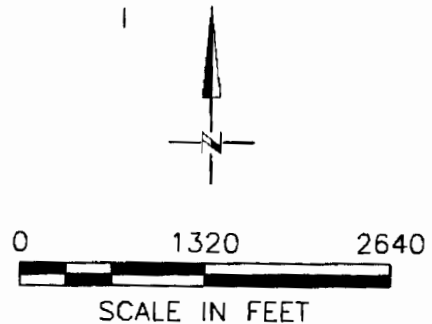


TO



POINT OF APPROPRIATION

WELL  
 LOCATED 1310'N AND 140'E FROM THE SW CORNER  
 OF SEC 10





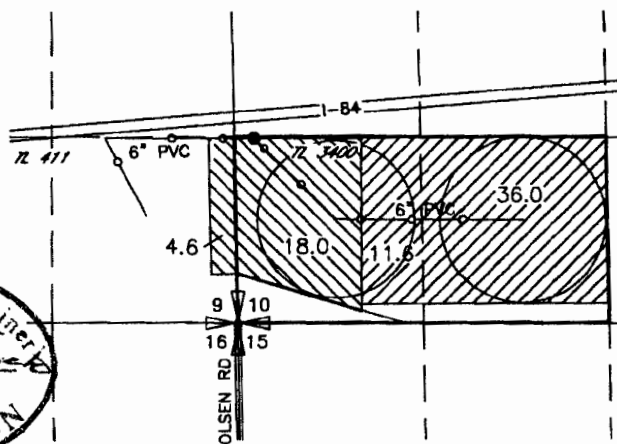
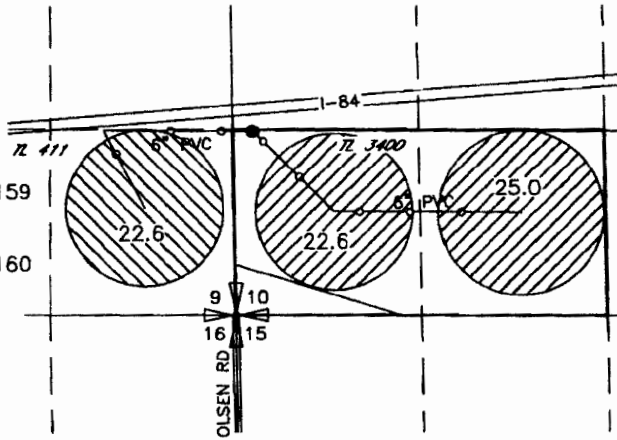
NOTE:  
 THE PURPOSE OF THIS MAP IS TO IDENTIFY THE APPROXIMATE LOCATION  
 OF THE WATER RIGHT. IT IS NOT INTENDED TO PROVIDE INFORMATION  
 RELATIVE TO THE LOCATION OF PROPERTY OWNERSHIP BOUNDARY LINES.

TRANSFER APPLICATION  
 MAP FOR  
 CRAIG COLEMAN  
 INVOLVING CERTIFICATES 56159 & 56160  
 T4N, R25E WM  
 MORROW CO

FROM

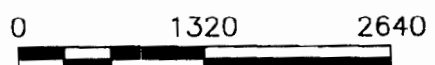
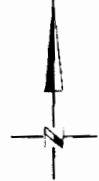
TO

-  47.6 AC CERTIFICATE 56159
-  22.6 AC CERTIFICATE 56160



Certified Water Right Examiner  
 #3333 WRE  
*Dale G. VanGehraeck*  
 Dale G. VanGehraeck  
 May 19, 1982  
 2/5/14  
 STATE OF OREGON

*Renews 6/30/14*



SCALE IN FEET  
 RECEIVED BY OWRD

POINT OF APPROPRIATION  
 WELL  
 LOCATED 1310'N AND 140'E FROM THE SW CORNER  
 OF SEC 10

NOTE:  
 THE PURPOSE OF THIS MAP IS TO IDENTIFY THE APPROXIMATE LOCATION  
 OF THE WATER RIGHT. IT IS NOT INTENDED TO PROVIDE INFORMATION  
 RELATIVE TO THE LOCATION OF PROPERTY OWNERSHIP BOUNDARY LINES.

MAR 10 2014

SALEM, OR