



State of Oregon  
 Water Resources Department  
 725 Summer Street NE, Suite A  
 Salem, Oregon 97301-1266  
 (503) 986-0900

# Application for District Instream Lease

## Part 1 of 4 – Minimum Requirements Checklist

<b>This Application to be used for water rights in the name of or conveyed by an Irrigation District (or similar organization)</b> <b>Complete Parts 1 through 4 and any required attachments</b>	OWRD #	IL-1358
	District #	IL-14-13

Check all items included with this application. (N/A = Not Applicable)

IL-1358

Yes  N/A **Pooled Lease**-a lease with more than one Lessor (Landowner/water right interest holder)  
**Fee in the amount of:**

<input checked="" type="checkbox"/> \$450.00 for a lease involving four or more landowners or four or more water rights	Or <input type="checkbox"/> \$300.00 for all other leases
<input type="checkbox"/> Check enclosed or	
<input checked="" type="checkbox"/> Fee Charged to customer account <u>Deschutes River Cons.</u> (Account name)	

- Part 1 – Completed Minimum Requirements Checklist**
- Part 2 – Completed District and Other Party Signature Page**
- Part 3 – Completed Place of Use and Lessor Signature Page**  
(Include a separate Part 3 for each Lessor.)
- Part 4 – Completed Water Right and Instream Use Information**  
(Include a separate Part 4 for each Water Right.)
- How many Water Rights are included in the lease application? 1 (# of rights)**  
**List each water right to be leased instream here: 83571**

Yes  N/A **Other water rights**, if any, appurtenant to the lands involved in the lease application and not proposed to be leased instream.  
**List those other water rights here: 76714**

Yes  No **Conservation Reserve Enhancement Program CREP** – Are some or all of the lands to be leased part of CREP or another Federal program (list here: \_\_\_\_\_)?

**Required Attachments:**

Yes  N/A **Instream lease application map(s)**. More than one QQ and property may be included on each map. A map is not required if an entire right is being leased or if the right is for use of municipal or quasi-municipal water use. The map should include the following:

- A north arrow and map scale (no smaller than 1" = 1320').
- Label township, range, section and quarter-quarter (QQ).
- If an irrigation right, the numbers of acres to be leased in each quarter-quarter identify and hachure/shade to differentiate between the acreage being leased and any remaining. If the place of use has more than one priority date, source stream, and/or point of diversion you must identify each with separate hachuring or shading and label.
- Tax lot lines and numbers must be included on the map and should clearly identify the property(s) involved.

Yes  N/A **If the Lessor(s) is not the deeded land owner**, include one of the following:

- A notarized statement from the land owner consenting to the lease and a copy of the recorded deed; or
- A water right conveyance agreement and a copy of the recorded deed for the landowner at the time the water right was conveyed; or
- Other documentation.

Yes  N/A **If the right has not been used in the last five years**; provide supporting documentation indicating why a right (or portion thereof) is not subject to forfeiture.

RECEIVED BY OWRD

MAR 26 2014

SALEM, OR

**Part 2 of 4 – District and other party Signature**

<b>Term of the Lease:</b> The lease is requested to begin in: month <u>April</u> year <u>2014</u> and end: month <u>October</u> year <u>2014</u> .	
<b>Public use:</b> Check the public use(s) this lease will serve (as defined by ORS 537.332): <input checked="" type="checkbox"/> Conservation, maintenance and enhancement of aquatic, fish and wildlife, fish and wildlife habitat and any other ecological values. <input checked="" type="checkbox"/> Recreation <input checked="" type="checkbox"/> Pollution abatement <input type="checkbox"/> Navigation	<b>Termination provision (for multiyear leases):</b> <b>The parties to the lease request (choose one):</b> <input type="checkbox"/> a. The option of terminating the lease prior to expiration of the full term with written notice to the Department by the Lessor(s) and/or Lessee. <input checked="" type="checkbox"/> b. The option of terminating the lease prior to expiration of the full term, with consent by all parties to the lease. <input type="checkbox"/> c. The parties would not like to include a Termination Provision. (See instructions for limitations to this provision)
<b>Additive/Replacing Relationship to other instream water rights:</b> Instream leases are generally additive to other existing instream water rights created as a result of instream leases and transfers and/or allocations of conserved water. Since instream leases are also generally senior to other instream rights created through a state agency process or conversion of minimum flows, they generally replace a portion of these junior instream rights. If you would like this lease to relate to other instream water rights differently than described above, please check this box. <input type="checkbox"/> And attach an explanation of your intent.	
<b>Precedent:</b> If a right which has been leased is later proposed to be leased again or later transferred or become part of an allocation of conserved water project, a new injury review shall be required. An instream lease shall not set a precedent on a future transaction.	
<b>Validity of the rights to be leased:</b> <input checked="" type="checkbox"/> The water right(s) to be leased have been used under the terms and conditions of the right(s) during the last five years or have been leased instream; or <input type="checkbox"/> The water right(s) have not been used for the last five years according to the terms and conditions of the rights. However, the water right(s) is not subject to forfeiture under ORS 540.610(2). Documentation describing why the water right is not subject to forfeiture has been provided.	

**SIGNATURES**

The undersigned declare that the information contained in this application is true and accurate.

*Laura S. Wollam*  
Signature of Co-Lessor

Date: 03/24/14

Printed name (and title): Laura Wollam, Water Use Specialist

Business/Organization name: Central Oregon Irrigation District

Mailing Address (with state and zip): 1055 SW Lake Ct, Redmond, OR 97756

Phone number (include area code): 541-504-7577 \*\*E-mail address: lauraw@coid.org

\_\_\_\_\_  
Signature of Co-Lessor

Date: \_\_\_\_\_

Printed name (and title): \_\_\_\_\_

Business/organization name: \_\_\_\_\_

Mailing Address (with state and zip): \_\_\_\_\_

Phone number (include area code): \_\_\_\_\_ \*\*E-mail address: \_\_\_\_\_

**RECEIVED BY OWRD**

**MAR 26 2014**

**SALEM, OR**

See next page for additional signatures.

Genevieve Hubert

Signature of Lessee

Date: 3/26/14

Printed name (and title): Gen Hubert, Water Leasing Program Manager

Business/organization name: Deschutes River Conservancy

Mailing Address (with state and zip): PO Box 1560, Bend, OR 97709

Phone number (include area code): 541-382-4077 x16 \*\*E-mail address: gen@deschutesriver.org

**\*\* BY PROVIDING AN E-MAIL ADDRESS, CONSENT IS GIVEN TO RECEIVE ALL CORRESPONDENCE FROM THE DEPARTMENT ELECTRONICALLY. COPIES OF THE FINAL ORDER DOCUMENTS WILL ALSO BE MAILED TO THE LESSOR**

RECEIVED BY OWRD

MAR 26 2014

SALEM, OR

Part 3 of 4 – Place of Use – Lessor Information and Signatures

Complete Table 1 Identify water right(s) proposed to be leased instream  
Provide a separate Part 3 for each Lessor (water right interest holder/landowner)

Table 1

Irrigation District or other Water Purveyor Name: Central Oregon Irrigation District

Specify Water Right, Priority Date, point of diversion(s) (POD), place of use, tax lot, gov't lot/DLC, acres to be leased, original use type, certificate page number, and any previous lease.

If not enough room below, you may add rows (see instructions) or create a spreadsheet/table (matching Table 1) and attach.  
Any attached table should include reference to the Lessor.

Water Right #	Priority Date	POD #	Twp	Rng	Sec	Q-Q	Tax Lot	Gov't Lot/DLC #	Acres	Use	Page #	Previous Lease #
83571	10/31/1900	1	18	S 12	E 01	NW NW	6300		0.20	Irrig	53	

Any additional information about the right:

Farm Deferral Tax Status: Counties make the determination of whether a property qualifies for the farm use assessment without consideration of whether the lands have an associated water right which is leased instream. If you have questions regarding the farm use assessment you should contact your local county assessor. You should contact your County for any weed ordinance and management requirements.

The undersigned declare:

- I/We agree during the term of this lease to suspend use of water allowed under the water right(s) involved in the lease as well as and any other appurtenant primary or supplemental water right(s); and
- I/We certify are the lessor(s) (water right interest holder) of the water right(s) in Table 1. If not the deced land owner, I/we have obtained consent from the deced land owner and/or have provided documentation of authorization to pursue the instream lease; and
- I/We affirm that the information in this application is true and accurate.

*Robert Bevington* Date: 3/6/14

Signature of Lessor

Printed name (and title): Robert Bevington Business name, if applicable: \_\_\_\_\_  
Mailing Address (with state and zip): 6563 N Sierra Vista, Fresno, CA 93710  
Phone number (include area code): 559-284-4926 \*\*E-mail address: rcb1@pge.com

*Kathleen Reid* Date: 3/6/14

Signature of Lessor

Printed name (and title): Kathleen Reid Business name, if applicable: \_\_\_\_\_  
Mailing Address (with state and zip): 6563 N Sierra Vista, Fresno, CA 93710  
Phone number (include area code): 559-284-4926 \*\*E-mail address: \_\_\_\_\_

RECEIVED BY OWRD

MAR 26 2014

SALEM, OR

**EXHIBIT C**

**Deschutes River Conservancy  
2014 Instream Leasing Program**

**Policy Concerning Weeds & Instream Leases  
Information on Farm Deferral & Lease Payment**

The Deschutes River Conservancy is dedicated to restoring stream flow and improving water quality in the Deschutes Basin; land stewardship is a component of these goals.

**Weed Policy**

The DRC expects participants in the Leasing Program will continue to exercise agricultural best management practices on lands enrolled in the Program, particularly with respect to the control of noxious and/or nuisance weeds. Failure to control weeds on leased acres may result in exclusion from Program compensation.

*Information and Resources Attached*

**Farm Deferral Notice**

Instream leasing is a beneficial use that protects your water right from forfeiture and allows for compensation for this instream use, but please note that it does not automatically protect against loss of farm use special assessment. Exclusive Farm Use (EFU) zoned lands may still require at least minimal use with the intent to make a profit. It is the landowner's responsibility to know their tax assessment status and qualifying uses.

*Information and Resources Attached*

**Donated Leases:** One year and multi-year leases of less than 10 acres, leases with public entities, leases submitted after the due date, and leases with verified weed complaints are not paid a per acre or per acre-foot rate by the DRC.

Kathleen A. Reid

I, Robert C. Bevington understand the DRC weed policy and have  
*Print Name*

been informed about farm deferral and donations.

Signature: Kathleen A. Reid Robert C. Bevington Date: 3/8/14

**This form must be signed and returned with state lease form.**

**RECEIVED BY OWRD**

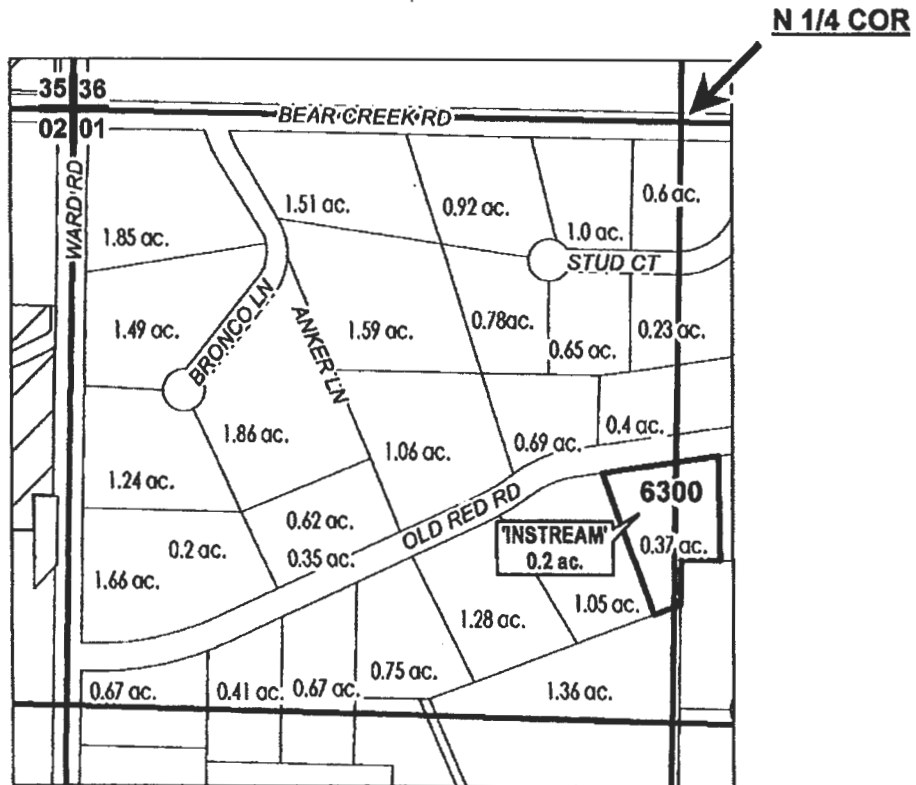
MAR 26 2014

# DESCHUTES COUNTY SEC.01 T18S R12E

SCALE - 1" = 400'



NW 1/4 OF THE NW 1/4



RECEIVED BY OWRD

MAR 26 2014

SALEM, OR

# ac.	INSTREAM PARCELS
# ac.	PARCELS W/ WATER RIGHTS



APPLICATION FOR 1 YEAR INSTREAM LEASE

NAME: ROBERT BEVINGTON / KATHLEEN REID

TAXLOT #: 6300

0.2 ACRES

DATE: 3/19/2014

FILE: I:\TRANSFER\INSTREAM\INSTRM1411 YR1181201\_N\NW\_6300

Part of 4 - Place of Use - Lessor Information and Signatures

Complete Table 1 Identify water right(s) proposed to be leased instream  
Provide a separate Part 3 for each Lessor (water right interest holder/landowner)

Table 1

Irrigation District or other Water Purveyor Name: Central Oregon Irrigation District												
Specify Water Right, Priority Date, point of diversion(s) (POD), place of use, tax lot, gov't lot/DLC, acres to be leased, original use type, certificate page number, and any previous lease.												
If not enough room below, you may add rows (see instructions) or create a spreadsheet/table (matching Table 1) and attach. Any attached table should include reference to the Lessor.												
Water Right #	Priority Date	POD #	Twp	Rng	Sec	Q-Q	Tax Lot	Gov't Lot/DLC #	Acres	Use	Page #	Previous Lease #
83571	10/31/1900	1	18	S 13	E 09	NE NW	501		1.00	Irrig	56	IL-1131

Any additional information about the right:

Farm Deferral Tax Status: Counties make the determination of whether a property qualifies for the farm use assessment without consideration of whether the lands have an associated water right which is leased instream. If you have questions regarding the farm use assessment you should contact your local county assessor. You should contact your County for any weed ordinance and management requirements.

The undersigned declare:

- I/We agree during the term of this lease to suspend use of water allowed under the water right(s) involved in the lease as well as and any other appurtenant primary or supplemental water right(s); and
- I/We certify are the lessor(s) (water right interest holder) of the water right(s) in Table 1. If not the deeded land owner, I/we have obtained consent from the deeded land owner and/or have provided documentation of authorization to pursue the instream lease; and
- I/We affirm that the information in this application is true and accurate.

Date: 3-5-2014

Signature of Lessor

Printed name (and title): David Cooks Business name, if applicable: \_\_\_\_\_  
 Mailing Address (with state and zip): PO Box 1301, Bend, OR 97709  
 Phone number (include area code): 541-610-7386 \*\*E-mail address: cooksdavid@hotmail.com

RECEIVED BY OWRD

Date: 3-5-2014  
 Signature of Lessor

Printed name (and title): Kelly Cooks Business name, if applicable: \_\_\_\_\_  
 Mailing Address (with state and zip): PO Box 1301, Bend, OR 97709  
 Phone number (include area code): 541-317-9251 \*\*E-mail address: \_\_\_\_\_

MAR 26 2014

SALEM, OR

**EXHIBIT C**

**Deschutes River Conservancy  
2014 Instream Leasing Program**

**Policy Concerning Weeds & Instream Leases  
Information on Farm Deferral & Lease Payment**

The Deschutes River Conservancy is dedicated to restoring stream flow and improving water quality in the Deschutes Basin; land stewardship is a component of these goals.

**Weed Policy**

The DRC expects participants in the Leasing Program will continue to exercise agricultural best management practices on lands enrolled in the Program, particularly with respect to the control of noxious and/or nuisance weeds. Failure to control weeds on leased acres may result in exclusion from Program compensation.

*Information and Resources Attached*

**Farm Deferral Notice**

Instream leasing is a beneficial use that protects your water right from forfeiture and allows for compensation for this instream use, but please note that it does not automatically protect against loss of farm use special assessment. Exclusive Farm Use (EFU) zoned lands may still require at least minimal use with the intent to make a profit. It is the landowner's responsibility to know their tax assessment status and qualifying uses.

*Information and Resources Attached*

**Donated Leases:** One year and multi-year leases of less than 10 acres, leases with public entities, leases submitted after the due date, and leases with verified weed complaints are not paid a per acre or per acre-foot rate by the DRC.

I, DAVID Cooker understand the DRC weed policy and have  
*Print Name*  
been informed about farm deferral and donations.

Signature: M.H.L. Date: 3.5.2014

**This form must be signed and returned with state lease form.**

**RECEIVED BY OWRD**

MAR 26 2014

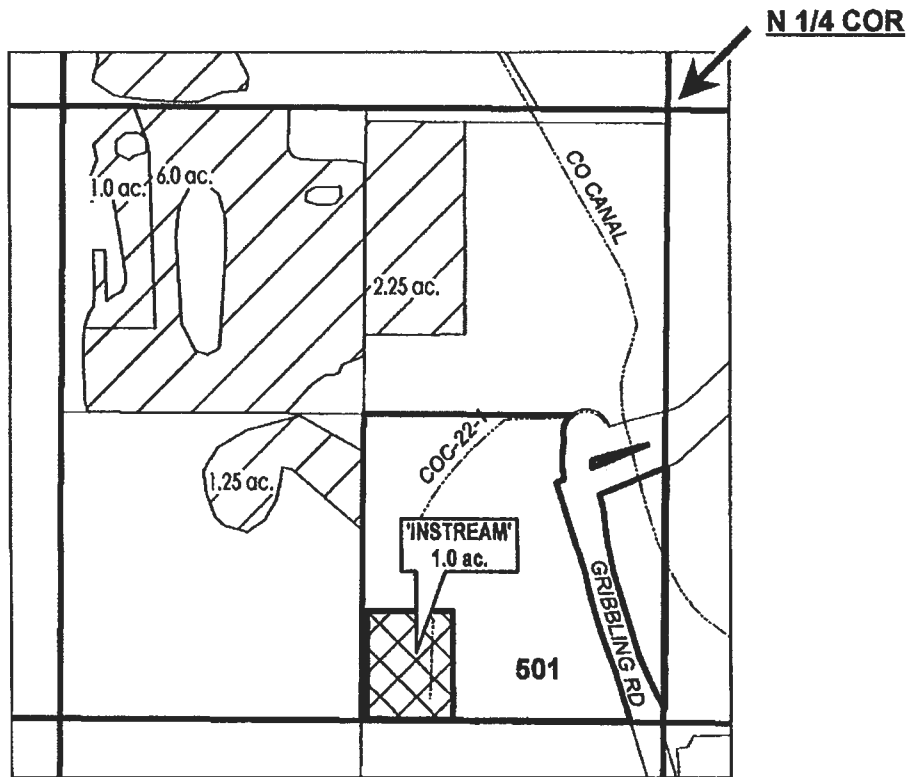


DESCHUTES COUNTY  
SEC.09 T18S R13E

SCALE - 1" = 400'



NE 1/4 OF THE NW 1/4



RECEIVED BY OWRD

MAR 26 2014

SALEM, OR

	EXISTING WATER RIGHTS
	INSTREAM LANDS



APPLICATION FOR 1 YEAR INSTREAM LEASE

NAME: DAVID & KELLY COOKS

TAXLOT #: 501

1.0 ACRES

DATE: 3/19/2014

FILE: ITRANSFERINSTREAMINSTRM141 YR181309\_NENW

Part of 4 - Place of Use - Lessor Information and Signatures

Complete Table 1 Identify water right(s) proposed to be leased instream  
Provide a separate Part 3 for each Lessor (water right interest holder/landowner)

Table 1

**Irrigation District or other Water Purveyor Name:** Central Oregon Irrigation District

**Specify Water Right, Priority Date, point of diversion(s) (POD), place of use, tax lot, gov't lot/DLC, acres to be leased, original use type, certificate page number, and any previous lease.**

If not enough room below, you may add rows (see instructions) or create a spreadsheet/table (matching Table 1) and attach.  
Any attached table should include reference to the Lessor.

Water Right #	Priority Date	POD #	Twp	Rng	Sec	Q-Q	Tax Lot	Gov't Lot/DLC #	Acres	Use	Page #	Previous Lease #
83571	10/31/1900	1	17	S 12 E	23	SE NW	713		5.00	Irrig	43	

Any additional information about the right:

**Farm Deferral Tax Status:** Counties make the determination of whether a property qualifies for the farm use assessment without consideration of whether the lands have an associated water right which is leased instream. If you have questions regarding the farm use assessment you should contact your local county assessor. You should contact your County for any weed ordinance and management requirements.

The undersigned declare:

- I/We agree during the term of this lease to suspend use of water allowed under the water right(s) involved in the lease as well as and any other appurtenant primary or supplemental water right(s); and
- I/We certify are the lessor(s) (water right interest holder) of the water right(s) in Table 1. If not the dedeed land owner, I/we have obtained consent from the dedeed land owner and/or have provided documentation of authorization to pursue the instream lease; and
- I/We affirm that the information in this application is true and accurate.

Denora Coslett Date: 3/12/14

Signature of Lessor

Printed name (and title): Denora Coslett Business name, if applicable: \_\_\_\_\_  
 Mailing Address (with state and zip): 33200 SW Bald Peak Rd, Hillsboro, OR 97123  
 Phone number (include area-code): 541-390-1387 \*\*E-mail address: \_\_\_\_\_

Elwood Coslett Date: 3-13-14

Signature of Lessor

Printed name (and title): Elwood Coslett Business name, if applicable: \_\_\_\_\_  
 Mailing Address (with state and zip): 33200 SW Bald Peak Rd, Hillsboro, OR 97123  
 Phone number (include area code): 541-390-1387 \*\*E-mail address: \_\_\_\_\_

District Instream Lease Application (revised 2/12/2014)

RECEIVED BY OWRD

MAR 26 2014

SALEM, OR

**EXHIBIT C**

**Deschutes River Conservancy  
2014 Instream Leasing Program**

**Policy Concerning Weeds & Instream Leases  
Information on Farm Deferral & Lease Payment**

The Deschutes River Conservancy is dedicated to restoring stream flow and improving water quality in the Deschutes Basin; land stewardship is a component of these goals.

**Weed Policy**

The DRC expects participants in the Leasing Program will continue to exercise agricultural best management practices on lands enrolled in the Program, particularly with respect to the control of noxious and/or nuisance weeds. Failure to control weeds on leased acres may result in exclusion from Program compensation.

*Information and Resources Attached*

**Farm Deferral Notice**

Instream leasing is a beneficial use that protects your water right from forfeiture and allows for compensation for this instream use, but please note that it does not automatically protect against loss of farm use special assessment. Exclusive Farm Use (EFU) zoned lands may still require at least minimal use with the intent to make a profit. It is the landowner's responsibility to know their tax assessment status and qualifying uses.

*Information and Resources Attached*

**Donated Leases:** One year and multi-year leases of less than 10 acres, leases with public entitlements, leases submitted after the due date, and leases with verified weed complaints are not paid a per acre or per acre-foot rate by the DRC.

I, Denora Coylett understand the DRC weed policy and have  
*Print Name*  
been informed about farm deferral and donations.

Signature: Denora Coylett Date: 3/13/14

This form must be signed and returned with state lease form.

RECEIVED BY OWRD

MAR 26 2014

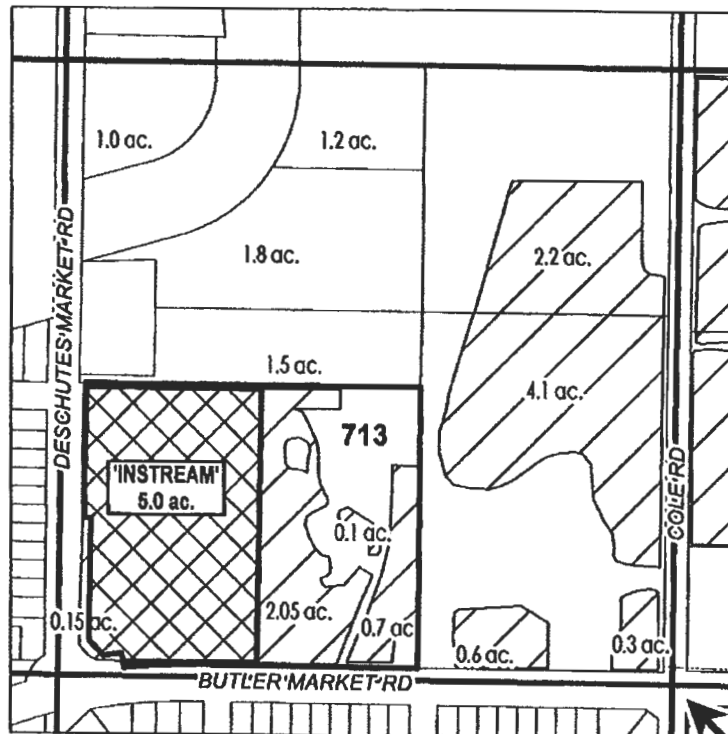
SALEM, OR

DESCHUTES COUNTY  
SEC.23 T17S R12E

SCALE - 1" = 400'



SE 1/4 OF THE NW 1/4



C 1/4 COR

RECEIVED BY OWRD

MAR 26 2014

SALEM, OR

	EXISTING WATER RIGHTS
	INSTREAM LANDS
	PARCELS W/ WATER RIGHTS



APPLICATION FOR 1 YEAR INSTREAM LEASE

NAME: DENORA & ELWOOD COSLETT

TAXLOT #: 713

5.0 ACRES

DATE: 3/21/2014

FILE: I:\TRANSFER\INSTREAM\INSTRM1411 YR171223\_SENW\_713

**Part 3 of 4 - Place of Use - Lessor Information and Signatures**

**Complete Table 1 Identify water right(s) proposed to be leased instream**

**Provide a separate Part 3 for each Lessor (water right interest holder/landowner)**

**Table 1**

**Irrigation District or other Water Purveyor Name:** Central Oregon Irrigation District

**Specify Water Right, Priority Date, point of diversion(s) (POD), place of use, tax lot, gov't lot/DLC, acres to be leased, original use type, certificate page number, and any previous lease.**

**If not enough room below, you may add rows (see instructions) or create a spreadsheet/table (matching Table 1) and attach. Any attached table should include reference to the Lessor.**

Water Right #	Priority Date	POD #	Twp	Rng	Sec	Q-Q	Tax Lot	Gov't Lot/DLC #	Acres	Use	Page #	Previous Lease #
83571	10/31/1900	1	17	S	14	E	27	NE	1900	Irrig	51	IL-1034

**Any additional information about the right:**

**Farm Deferral Tax Status:** Counties make the determination of whether a property qualifies for the farm use assessment without consideration of whether the lands have an associated water right which is leased instream. If you have questions regarding the farm use assessment you should contact your local county assessor. You should contact your County for any weed ordinance and management requirements.

The undersigned declare:

- I/We agree during the term of this lease to suspend use of water allowed under the water right(s) involved in the lease as well as and any other appurtenant primary or supplemental water right(s); and
- I/We certify are the lessor(s) (water right interest holder) of the water right(s) in Table 1. If not the deceded land owner, I/we have obtained consent from the deceded land owner and/or have provided documentation of authorization to pursue the instream lease; and
- I/We affirm that the information in this application is true and accurate.

Kevin Farrer Date: 3-3-14  
Signature of Lessor

Printed name (and title): Kevin Farrer Business name, if applicable:  
Mailing Address (with state and zip): 3426 Mt Aachen Ave, San Diego, CA 92111  
Phone number (include area code): 858-292-0895 \*\*E-mail address: farrerkevin@aol.com

Linda Farrer Date: 3-3-2014  
Signature of Lessor

Printed name (and title): Linda Farrer Business name, if applicable:  
Mailing Address (with state and zip): 3426 Mt Aachen Ave, San Diego, CA 92111  
Phone number (include area code): 858-292-0895 \*\*E-mail address:

District Instream Lease Application (revised 2/12/2014)

RECEIVED BY OWRD

MAR 26 2014

SALEM, OR

**EXHIBIT C**

**Deschutes River Conservancy  
2014 Instream Leasing Program**

**Policy Concerning Weeds & Instream Leases  
Information on Farm Deferral & Lease Payment**

The Deschutes River Conservancy is dedicated to restoring stream flow and improving water quality in the Deschutes Basin; land stewardship is a component of these goals.

**Weed Policy**

The DRC expects participants in the Leasing Program will continue to exercise agricultural best management practices on lands enrolled in the Program, particularly with respect to the control of noxious and/or nuisance weeds. Failure to control weeds on leased acres may result in exclusion from Program compensation.

*Information and Resources Attached*

**Farm Deferral Notice**

Instream leasing is a beneficial use that protects your water right from forfeiture and allows for compensation for this instream use, but please note that it does not automatically protect against loss of farm use special assessment. Exclusive Farm Use (EFU) zoned lands may still require at least minimal use with the intent to make a profit. It is the landowner's responsibility to know their tax assessment status and qualifying uses.

*Information and Resources Attached*

**Donated Leases:** One year and multi-year leases of less than 10 acres, leases with public entitlements, leases submitted after the due date, and leases with verified weed complaints are not paid a per acre or per acre-foot rate by the DRC.

*Kevin Farrer*  
I, *Linda Farrer* understand the DRC weed policy and have  
*Print Name*  
been informed about farm deferral and donations.

Signature: *Kevin Farrer* *Linda Farrer* Date: *3-3-14*

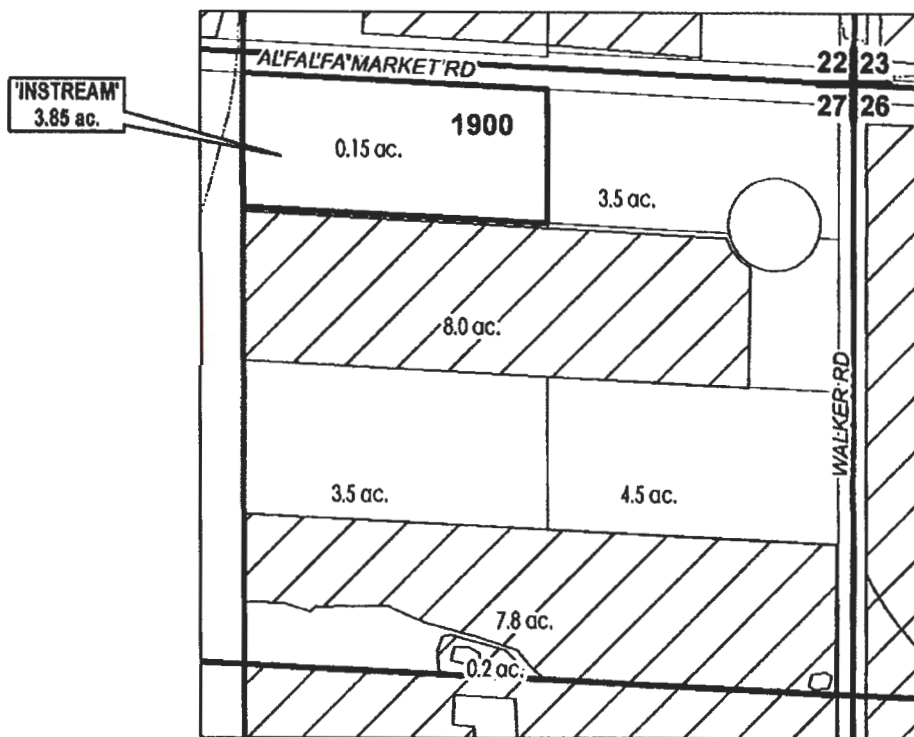
**This form must be signed and returned with state lease form.**

DESCHUTES COUNTY  
SEC.27 T17S R14E

SCALE - 1" = 400'



NE 1/4 OF THE NE 1/4



RECEIVED BY OWRD

MAR 26 2014

SALEM, OR

	EXISTING WATER RIGHTS
	INSTREAM PARCELS
	PARCELS W/ WATER RIGHTS



APPLICATION FOR 1 YEAR INSTREAM LEASE

NAME: KEVIN & LINDA FARRER

TAXLOT #: 1900

3.85 ACRES

DATE: 3/19/2014

FILE: I:\TRANSFER\INSTREAM\INSTRM1411 YR171427\_NE NE

Part of 4 - Place of Use - Lessor Information and Signatures

Complete Table 1. Identify water right(s) proposed to be leased instream. Provide a separate Part 3 for each Lessor (water right interest holder/landowner)

Table 1

**Irrigation District or other Water Purveyor Name:** Central Oregon Irrigation District

Specify Water Right, Priority Date, point of diversion(s) (POD), place of use, tax lot, gov't lot/DLC, acres to be leased, original use type, certificate page number, and any previous lease.

If not enough room below, you may add rows (see instructions) or create a spreadsheet/table (matching Table 1) and attach. Any attached table should include reference to the Lessor.

Water Right #	Priority Date	POD #	Twp	Rng	Sec	Q-Q	Tax Lot	Gov't Lot/DLC #	Acres	Use	Page #	Previous Lease #
83571	10/31/1900	1	18	S 12	E 01	NW	7300		0.62	Irrig	53	IL-975

Any additional information about the right: \_\_\_\_\_

**Farm Deferral Tax Status:** Counties make the determination of whether a property qualifies for the farm use assessment without consideration of whether the lands have an associated water right which is leased instream. If you have questions regarding the farm use assessment you should contact your local county assessor. You should contact your County for any weed ordinance and management requirements.

The undersigned declare:

- I/We agree during the term of this lease to suspend use of water allowed under the water right(s) involved in the lease as well as and any other appurtenant primary or supplemental water right(s); and
- I/We certify are the lessor(s) (water right interest holder) of the water right(s) in Table 1. If not the deeded land owner, I/we have obtained consent from the deeded land owner and/or have provided documentation of authorization to pursue the instream lease; and
- I/We affirm that the information in this application is true and accurate.

*Karl W. Goshorn, Jr.*  
Signature of Lessor Date: 3-9-14

Printed name (and title): Karl Goshorn, Jr. Business name, if applicable: \_\_\_\_\_  
Mailing Address (with state and zip): 21646 Old Red Rd. Bend, OR 97702  
Phone number (include area code): 541-382-8674 \*\*E-mail address: \_\_\_\_\_

*Mia L. Goshorn*  
Signature of Lessor Date: 3-9-14

Printed name (and title): Dica Goshorn Business name, if applicable: \_\_\_\_\_  
Mailing Address (with state and zip): 21646 Old Red Rd. Bend, OR 97702  
Phone number (include area code): 541-382-8674 \*\*E-mail address: \_\_\_\_\_

District Instream Lease Application (revised 2/12/2014)

RECEIVED BY OWRD

MAR 26 2014

SALEM, OR



**EXHIBIT C**

**Deschutes River Conservancy  
2014 Instream Leasing Program**

**Policy Concerning Weeds & Instream Leases  
Information on Farm Deferral & Lease Payment**

The Deschutes River Conservancy is dedicated to restoring stream flow and improving water quality in the Deschutes Basin; land stewardship is a component of these goals.

**Weed Policy**

The DRC expects participants in the Leasing Program will continue to exercise agricultural best management practices on lands enrolled in the Program, particularly with respect to the control of noxious and/or nuisance weeds. Failure to control weeds on leased acres may result in exclusion from Program compensation.

*Information and Resources Attached*

**Farm Deferral Notice**

Instream leasing is a beneficial use that protects your water right from forfeiture and allows for compensation for this instream use, but please note that it does not automatically protect against loss of farm use special assessment. Exclusive Farm Use (EFU) zoned lands may still require at least minimal use with the intent to make a profit. It is the landowner's responsibility to know their tax assessment status and qualifying uses.

*Information and Resources Attached*

**Donated Leases:** One year and multi-year leases of less than 10 acres, leases with public entitlements, leases submitted after the due date, and leases with verified weed complaints are not paid a per acre or per acre-foot rate by the DRC.

I, KARL W. GASHOEN, JR. understand the DRC weed policy and have  
*Print Name*  
been informed about farm deferral and donations.

Signature: Karl W. Gashoen Date: 3-9-14

**This form must be signed and returned with state lease form.**

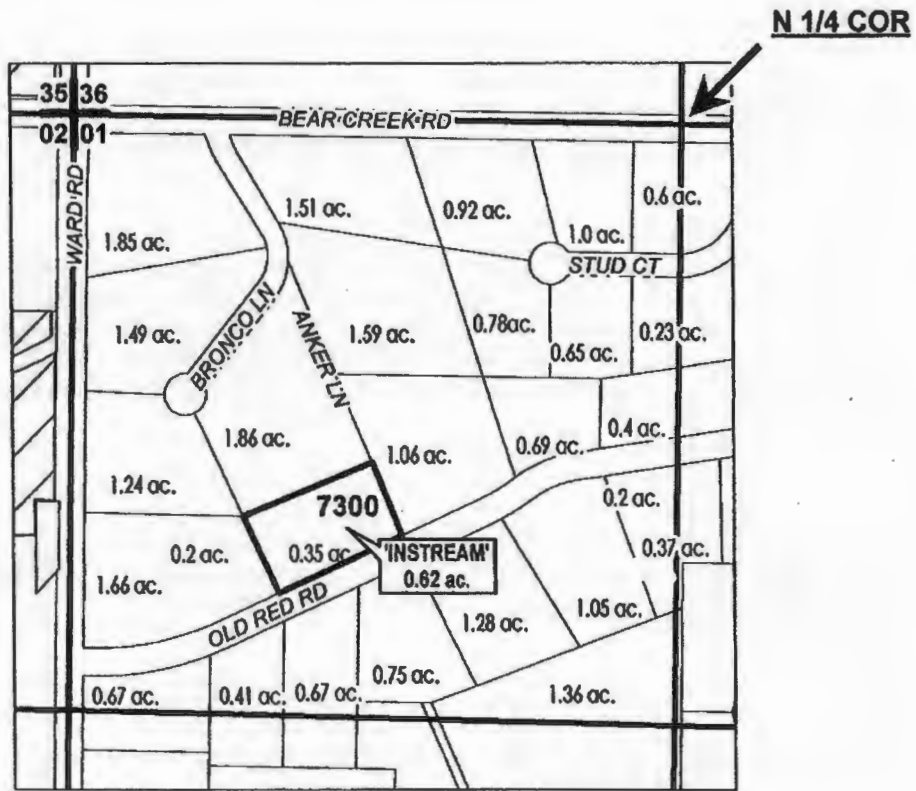
RECEIVED BY OWRD

# DESCHUTES COUNTY SEC.01 T18S R12E

SCALE - 1" = 400'



NW 1/4 OF THE NW 1/4



RECEIVED BY OWRD

MAR 26 2014

SALEM, OR

# ac.	INSTREAM PARCELS
# ac.	PARCELS W/ WATER RIGHTS



## APPLICATION FOR 1 YEAR INSTREAM LEASE

NAME: DICA AND KARL GOSHORN, JR

TAXLOT #: 7300

0.62 ACRES

DATE: 3/19/2014

FILE: I:\TRANSFER\INSTREAM\INSTRM141 YR181201\_N\WWW\_7300

Part 4 of 4 – Water Right and Instream Use Information

Use a separate Part 4 for each water right to be leased instream

Table 2

Use Table 2 to illustrate the totals for the water right proposed to be leased instream (based on Part 3 of 4) Water Right # 83571

Total rate and volume by priority date, POD, use and acreage as appropriate considering the right to be leased. If not enough room below, you may add rows (see instructions) or create a spreadsheet (matching Table 2 and clearly labeled) and attach.

(cfs = cubic feet per second and af = acre-feet)

Priority Date	POD #	Use	Acre	Other Information (such as conditions/limitations on the right)			Rate (cfs)	Volume (af)
10/31/1900	1	Irrig	10.67	Season 1 Rate / Total Volume			0.133	105.16
10/31/1900	1	Irrig	10.67	Season 2 Rate			0.177	
10/31/1900	1	Irrig	10.67	Season 3 Rate			0.234	
12/02/1907	1	Irrig	10.67	Season 3 Rate			0.094	

Total af from storage, if applicable: AF or  N/A

If the POD is not described on the certificate or, if there is more than one POD listed on the certificate, then the specific POD must be described: POD # 1

Table 3

Instream Use created by the lease River Basin: Deschutes River/Stream Name: Deschutes River, tributary to Columbia River

Proposed Instream Reach: Or Proposed Instream Point:  Instream use protected at the POD

A reach typically begins at the POD and ends at the mouth of the source stream: From the POD 1 to Mouth of Deschutes River (RM 0)

OR  Please check this box if you are not sure of the proposed reach and want water to be protected within a reach below the POD, if possible. If no reach is identified or the above box is not checked, and there is only one POD listed on the water right, the lease may be processed to be protected at the POD.)

Instream Portion: May not exceed the maximum rate/volume for the right (identified in Table 2)

Use the table 3 to illustrate the instream rate, volume and instream period by priority date, POD, Use and acreage, as appropriate. If not enough room below, you may add rows (see instructions) or create a spreadsheet (clearly labeled and matching the below portion of Table 3) and attach.

Priority date	POD #	Use	Acre	Proposed Instream Period			Instream Rate (cfs)	Total instream volume (af)
10/31/1900	1	Irrig	10.67	Season 1 Rate / Total Maximum Volume			0.075	58.16
10/31/1900	1	Irrig	10.67	Season 2 Rate			0.098	
10/31/1900	1	Irrig	10.67	Season 3 Rate			0.181	

OR  Please check this box if you are not sure of the proposed rate, volume and instream period. As part of its review process, the Department will identify the appropriate instream rate, volume and period considering the water right(s) being leased and instream benefits.

Yes  N/A Conditions to avoid enlargement or injury to other water rights, if any, or other limitations: list here The instream flow will be allocated on a daily average basis up to the described rate from April 1 through October 26.

Note: The Department may identify additional conditions to prevent injury and/or enlargement.

Any additional information about the proposed instream use: \_\_\_\_\_

RECEIVED BY OWRD

<b>Central Oregon Irrigation District</b>			
<b>IL-2014-13</b>			
<b>Water Right Changes for Instream Maps</b>			
<b>TRS</b>	<b>QQ</b>	<b>AC</b>	<b>OWRD #</b>
181201	NWNW	0.15 ac Transferred off	T-11703

RECEIVED BY OWRD  
MAR 26 2014  
SALEM, OR