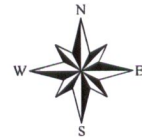


Map to accompany Drought Transfer for Kyle & Charity Ransom

RECEIVED

JUL 30 2018

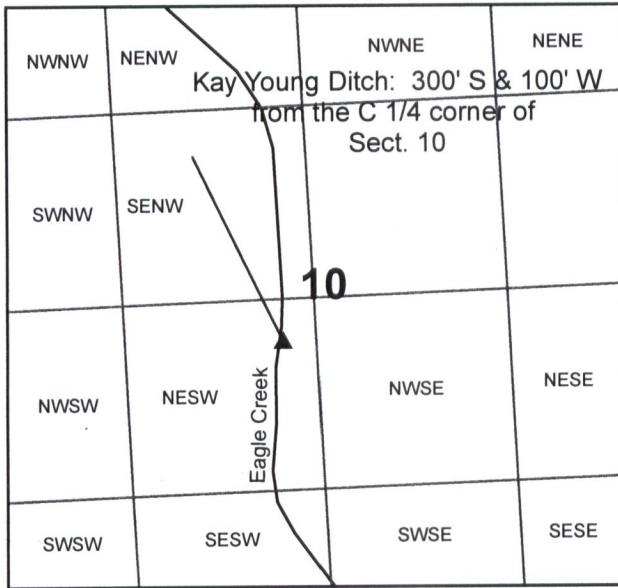
OWRD



Scale: 1" = 1320'

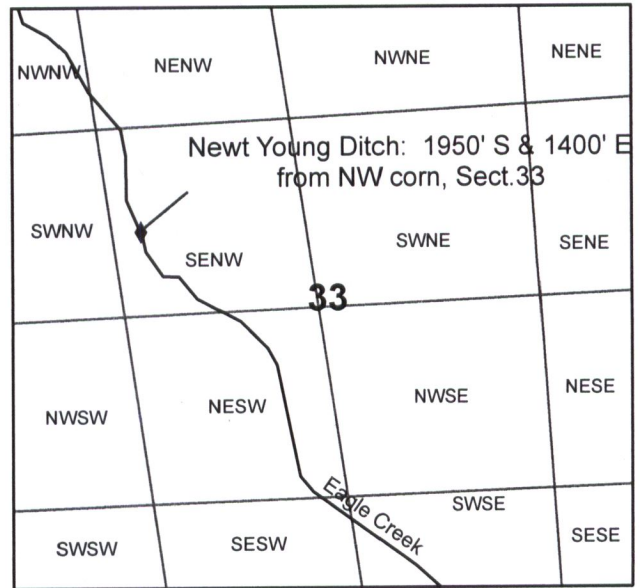
T. 9S, R. 45E

Authorized for C-4772 & C-4754
Proposed POD for C-4600






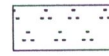
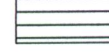

T. 8S, R. 45E

Authorized for C-4600
Proposed POD for C-4772 & C-4754



T. 9S, R. 45E

LEGEND

-  C-4600 (1881) "From" & (1886) "To" Grounds
-  C-4600 (1881) RR
-  C-4772 (1886) "From" & (1881) "To" Grounds
-  C-4772 (1886) RR
-  C-4754 (1886) "From" & (1881) "To" Grounds
-  C-4754 (1886) RR

