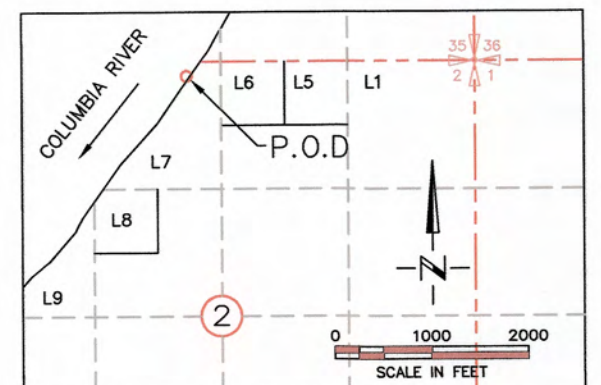
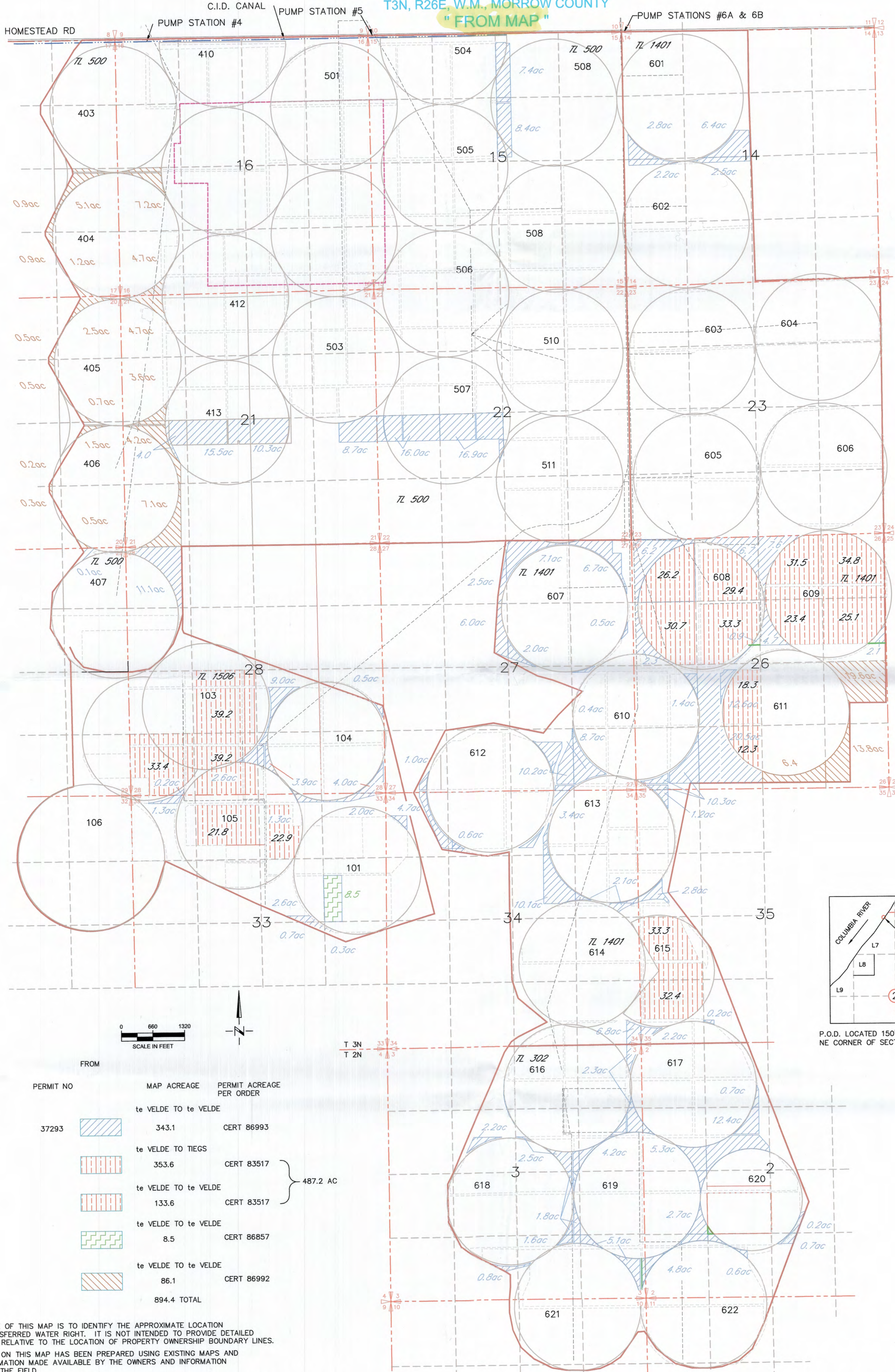


teVELDE - TIEGS 2018
 TEMPORARY TRANSFER APPLICATION MAP
 te VELDE TO TIEGS & te VELDE TO te VELDE
 T3N, R26E, W.M., MORROW COUNTY
 "FROM MAP"

RECEIVED
 APR 20 2018
 OWRD



P.O.D. LOCATED 150' SOUTH AND 2990' WEST FROM THE NE CORNER OF SECTION 2, T4N, R25E, W.M.

PERMIT NO	MAP ACREAGE	PERMIT ACREAGE PER ORDER
37293	343.1	CERT 86993
	353.6	CERT 83517
	133.6	CERT 83517
	8.5	CERT 86857
	86.1	CERT 86992
	894.4 TOTAL	

487.2 AC

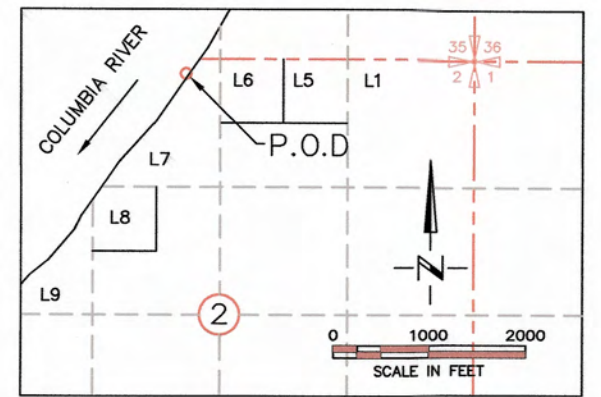
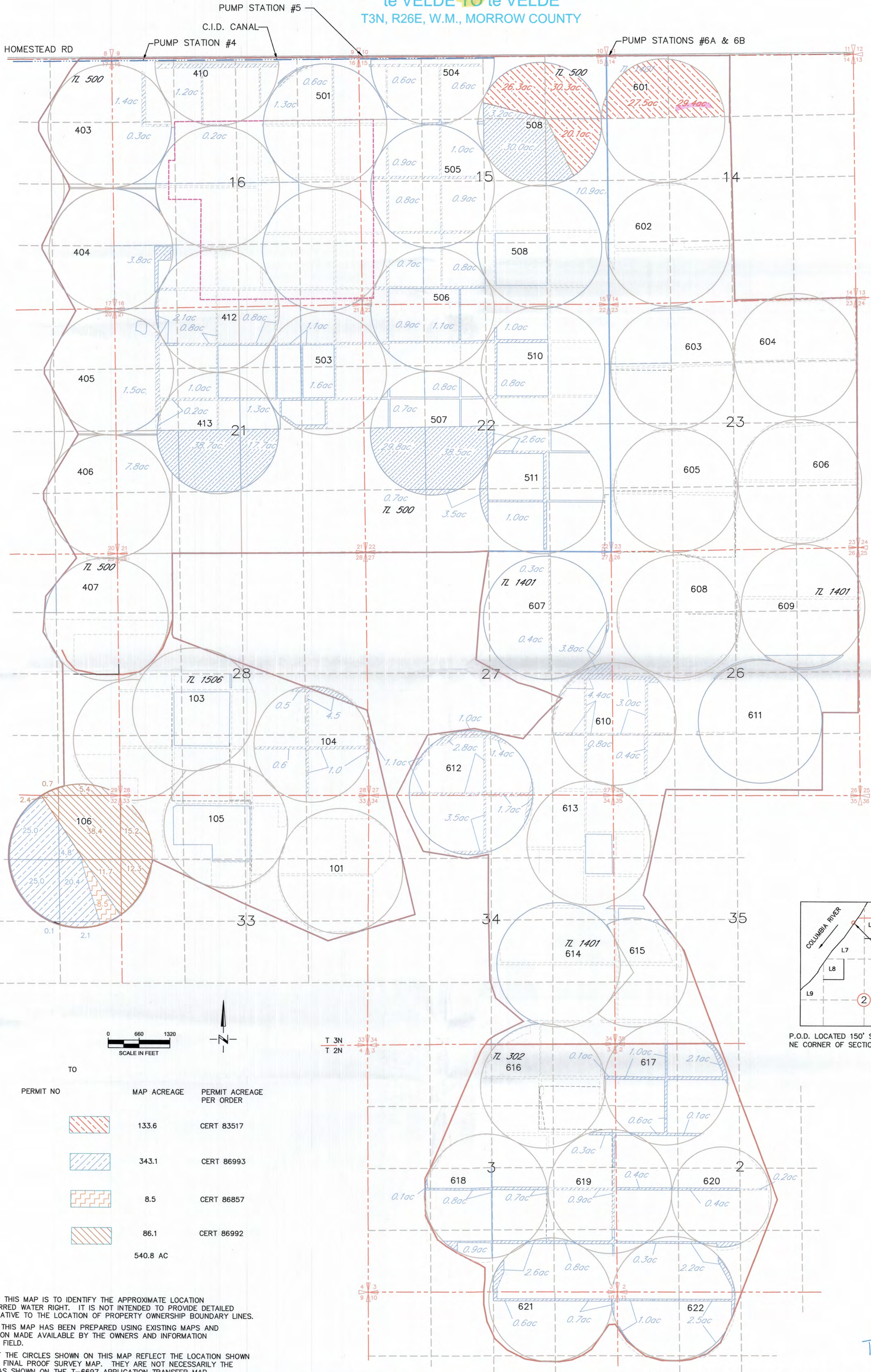
NOTE:
 THE PURPOSE OF THIS MAP IS TO IDENTIFY THE APPROXIMATE LOCATION OF THE TRANSFERRED WATER RIGHT. IT IS NOT INTENDED TO PROVIDE DETAILED INFORMATION RELATIVE TO THE LOCATION OF PROPERTY OWNERSHIP BOUNDARY LINES. INFORMATION ON THIS MAP HAS BEEN PREPARED USING EXISTING MAPS AND OTHER INFORMATION MADE AVAILABLE BY THE OWNERS AND INFORMATION OBTAINED IN THE FIELD.
 THE LOCATION OF THE CIRCLES SHOWN ON THIS MAP REFLECT THE LOCATION SHOWN ON THE ORIGINAL FINAL PROOF SURVEY MAP. THEY ARE NOT NECESSARILY THE SAME LOCATION AS SHOWN ON THE T-6697 APPLICATION TRANSFER MAP.
 DRAWING: \\Kwkfiles\public\Project\30-08-016 - Porfly Water Rights Consulting\00 Misc Engineering\Cad\te VELDE\2016 TRANSFER\30-08-016 te Velde FROM TT 2018.dwg
 PRINTED BY: rwillard on 04/11/18 10:10 AM

THIS MAP WAS REVISED ON 3/23/11 BY DGV Consulting, PLLC
 THE HATCHED AREA IN THE SENE OF SEC 29, T3N, R26E, WM WAS RECONFIGURED AND THE ACREAGE IN THE NESW OF SEC 22, T3N, R26E, WM WAS CORRECTED FROM 23.2 TO 16.9.

T-12908

CWRD
 APR 29 2018
 RECEIVED

to VELDE - TIEGS 2018
 TEMPORARY TRANSFER APPLICATION MAP
 to VELDE TO te VELDE
 T3N, R26E, W.M., MORROW COUNTY



P.O.D. LOCATED 150' SOUTH AND 2990' WEST FROM THE NE CORNER OF SECTION 2, T4N, R25E, W.M.

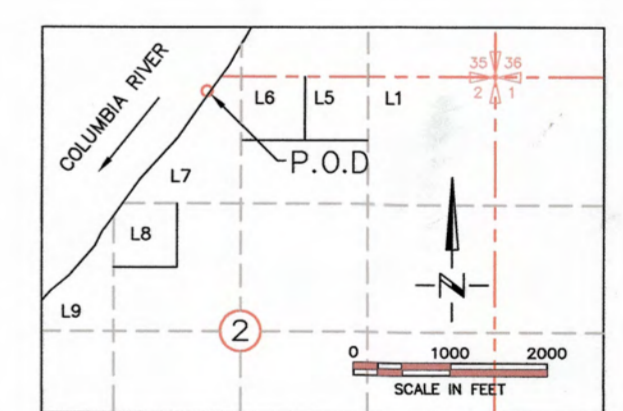
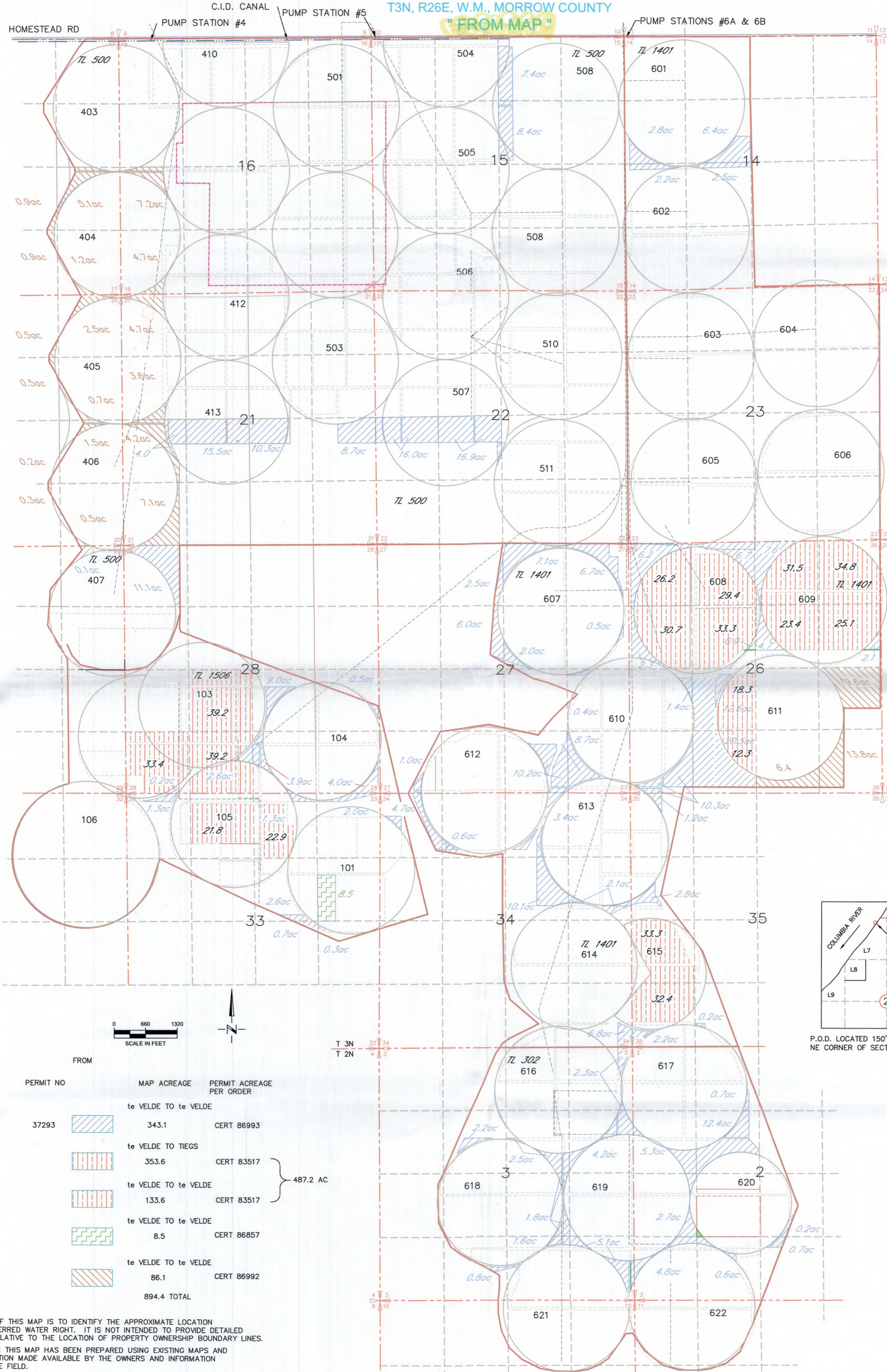
PERMIT NO	MAP ACREAGE	PERMIT ACREAGE PER ORDER
	133.6	CERT 83517
	343.1	CERT 86993
	8.5	CERT 86857
	86.1	CERT 86992
	540.8 AC	

NOTE:
 THE PURPOSE OF THIS MAP IS TO IDENTIFY THE APPROXIMATE LOCATION OF THE TRANSFERRED WATER RIGHT. IT IS NOT INTENDED TO PROVIDE DETAILED INFORMATION RELATIVE TO THE LOCATION OF PROPERTY OWNERSHIP BOUNDARY LINES. INFORMATION ON THIS MAP HAS BEEN PREPARED USING EXISTING MAPS AND OTHER INFORMATION MADE AVAILABLE BY THE OWNERS AND INFORMATION OBTAINED IN THE FIELD. THE LOCATION OF THE CIRCLES SHOWN ON THIS MAP REFLECT THE LOCATION SHOWN ON THE ORIGINAL FINAL PROOF SURVEY MAP. THEY ARE NOT NECESSARILY THE SAME LOCATION AS SHOWN ON THE T-6697 APPLICATION TRANSFER MAP.

T-12908

RECEIVED
APR 20 2018
OWARD

teVELDE - TIEGS 2018
TEMPORARY TRANSFER APPLICATION MAP
te VELDE TO TIEGS & te VELDE TO te VELDE
T3N, R26E, W.M., MORROW COUNTY



P.O.D. LOCATED 150' SOUTH AND 2990' WEST FROM THE NE CORNER OF SECTION 2, T4N, R25E WM

PERMIT NO	MAP ACREAGE	PERMIT ACREAGE PER ORDER
37293	343.1	CERT 86993
	353.6	CERT 83517
	133.6	CERT 83517
	8.5	CERT 86857
	86.1	CERT 86992
	894.4 TOTAL	

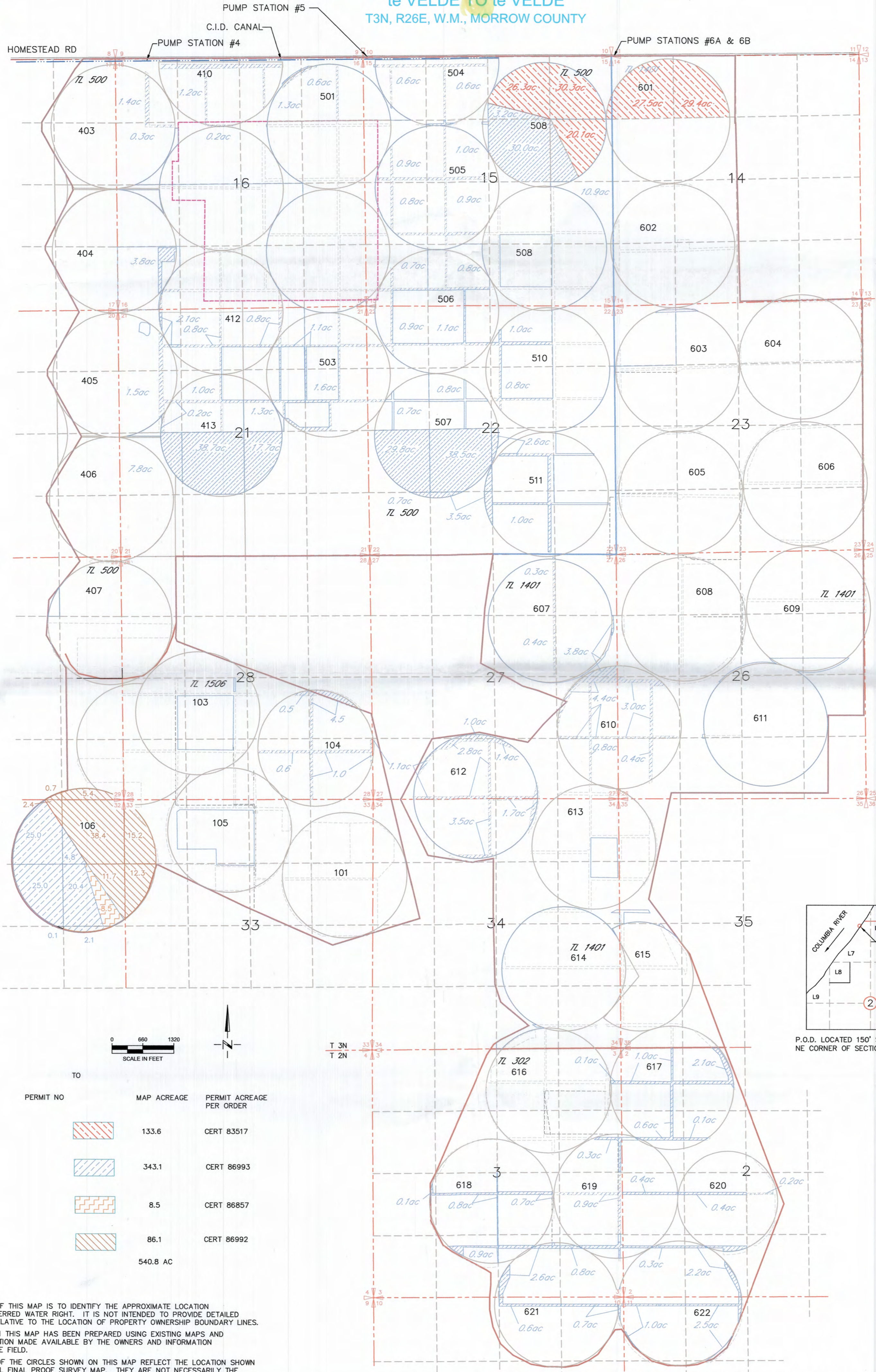
487.2 AC

NOTE:
THE PURPOSE OF THIS MAP IS TO IDENTIFY THE APPROXIMATE LOCATION OF THE TRANSFERRED WATER RIGHT. IT IS NOT INTENDED TO PROVIDE DETAILED INFORMATION RELATIVE TO THE LOCATION OF PROPERTY OWNERSHIP BOUNDARY LINES. INFORMATION ON THIS MAP HAS BEEN PREPARED USING EXISTING MAPS AND OTHER INFORMATION MADE AVAILABLE BY THE OWNERS AND INFORMATION OBTAINED IN THE FIELD.
THE LOCATION OF THE CIRCLES SHOWN ON THIS MAP REFLECT THE LOCATION SHOWN ON THE ORIGINAL FINAL PROOF SURVEY MAP. THEY ARE NOT NECESSARILY THE SAME LOCATION AS SHOWN ON THE T-6697 APPLICATION TRANSFER MAP.

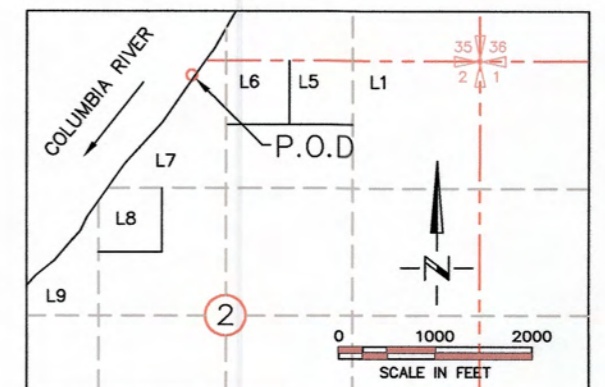
T-12908

ORWD
 APR 2 2018
 RECEIVED

te VELDE - TIEGS 2018
 TEMPORARY TRANSFER APPLICATION MAP
 te VELDE TO te VELDE
 T3N, R26E, W.M., MORROW COUNTY



PERMIT NO	MAP ACREAGE	PERMIT ACREAGE PER ORDER
	133.6	CERT 83517
	343.1	CERT 86993
	8.5	CERT 86857
	86.1	CERT 86992
	540.8 AC	



P.O.D. LOCATED 150' SOUTH AND 2990' WEST FROM THE NE CORNER OF SECTION 2, T4N, R25E WM

NOTE:
 THE PURPOSE OF THIS MAP IS TO IDENTIFY THE APPROXIMATE LOCATION OF THE TRANSFERRED WATER RIGHT. IT IS NOT INTENDED TO PROVIDE DETAILED INFORMATION RELATIVE TO THE LOCATION OF PROPERTY OWNERSHIP BOUNDARY LINES.
 INFORMATION ON THIS MAP HAS BEEN PREPARED USING EXISTING MAPS AND OTHER INFORMATION MADE AVAILABLE BY THE OWNERS AND INFORMATION OBTAINED IN THE FIELD.
 THE LOCATION OF THE CIRCLES SHOWN ON THIS MAP REFLECT THE LOCATION SHOWN ON THE ORIGINAL FINAL PROOF SURVEY MAP. THEY ARE NOT NECESSARILY THE SAME LOCATION AS SHOWN ON THE T-6697 APPLICATION TRANSFER MAP.
 DRAWING: \\K:\files\public\Project\30-08-016 - Porfily Water Rights Consulting\00 Misc Engineering\Cad\te VELDE\2016 TRANSFER\30-08-016 te Velde TO te Velde.dwg
 PRINTED BY: rwillard on 04/11/18 10:12 AM

THIS MAP WAS REVISED ON 3/23/11 BY DGV Consulting, PLLC
 THE HATCHED AREA IN THE SENE OF SEC 29, T3N, R26E, WM WAS RECONFIGURED AND THE ACREAGE IN THE NESW OF SEC 22, T3N, R26E, WM WAS CORRECTED FROM 23.2 TO 16.9.

T-12908

RECEIVED
APR 20 2018
CWRD

teVELDE - TIEGS TIEGS TO TIEGS & teVELDE TO TIEGS TEMPORARY TRANSFER APPLICATION TO MAP INVOLVING CERTIFICATES 68536, 61848 & 61849 T2&3N, R26E WM MORROW CO 2018

This Portion of this Transfer
is the same as the 2017
Temporary Transfer T-12696

TIEGS TO TIEGS

- 133.4 AC PRIMARY COLUMBIA RIVER CERT 68536
- 444.4 AC PRIMARY WELLS #1 & #3 CERT 61848
SUPPLEMENTAL COLUMBIA RIVER CERT 68536
SUPPLEMENTAL WELL #2 & #3 CERT 61849
- 239.7 AC PRIMARY WELLS #1 & #3 CERT 61848
SUPPLEMENTAL WELL #2 & #3 CERT 61849

te VELDE TO TIEGS

- 353.6 AC PRIMARY COLUMBIA RIVER CERT 83517

1171.1 AC

- 3.9 AC TEST PLOT AREA NOT INVOLVED IN THIS TRANSFER

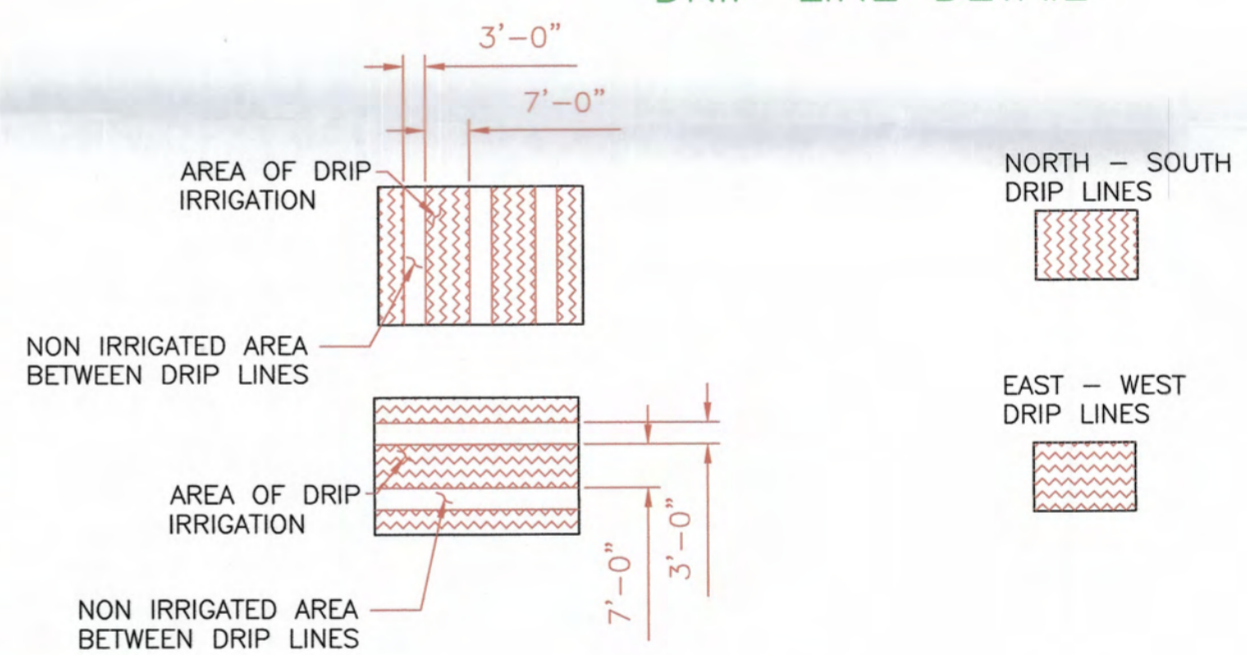
AUTHORIZED P.O.D.
LOCATED S86°32'38"W 2841.57 FT FROM THE
NE CORNER SEC 2, T4N, R25E WM

AUTHORIZED P.O.A.
WELL #1 LOCATED 2470'N AND 2910'E FROM
THE SW COR SEC 20 T2N, R26E, WM

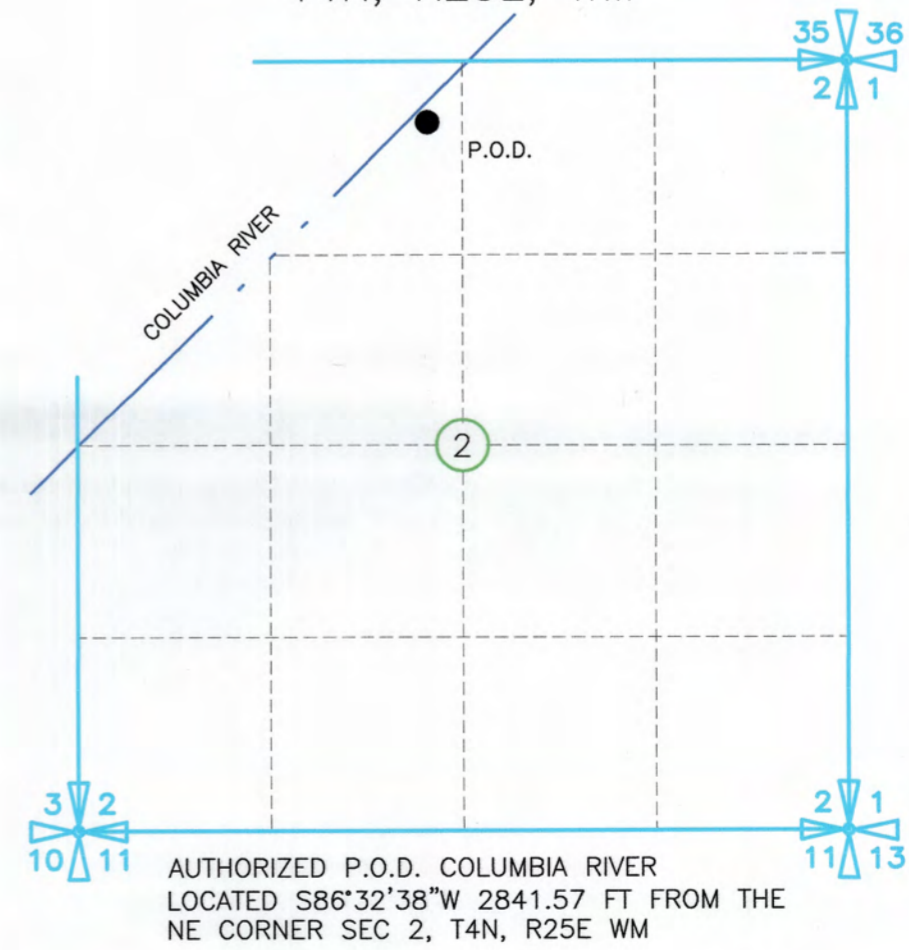
WELL #2 LOCATED 100'S AND 1350'W FROM
THE NE COR SEC 17 T2N, R26E, WM

WELL #3 LOCATED 30'S AND 30'W FROM THE
E ¼ COR SEC 18 T2N, R26E, WM

DRIP LINE DETAIL



T4N, R25E, WM



0 1320 2640
SCALE IN FEET

NOTE:
THE PURPOSE OF THIS MAP IS TO IDENTIFY THE APPROXIMATE LOCATION
OF THE WATER RIGHT. IT IS NOT INTENDED TO PROVIDE INFORMATION
RELATIVE TO THE LOCATION OF PROPERTY OWNERSHIP BOUNDARY LINES.

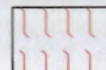



DRAWING: \\Kwkfiles\public\Project\30-08-016 - Porfily Water Rights Consulting\00 Misc Engineering\Cad\TIEGS\3522300TIG TT18.dwg
PRINTED BY: rwillard on 04/11/18 10:16 AM T-12908



teVELDE - TIEGS
 TIEGS TO TIEGS
 TEMPORARY TRANSFER APPLICATION FROM MAP
 INVOLVING CERTIFICATES 68536, 61848 & 61849
 T2&3N, R26E WM
 MORROW CO
 2018

This Portion of this Transfer
 is the same as the 2017
 Temporary Transfer T-12696

FROM

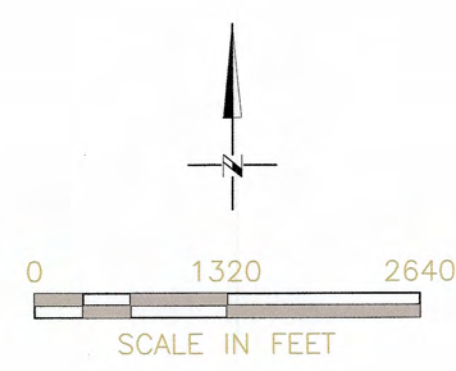
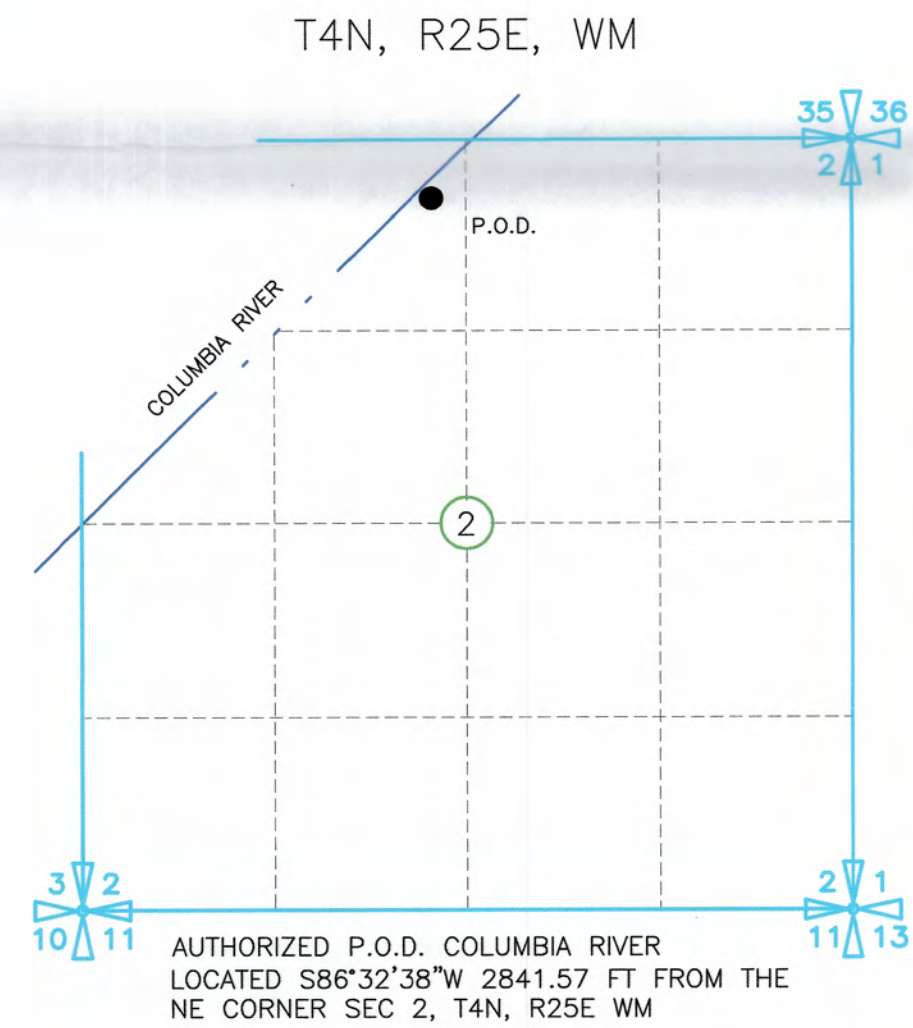
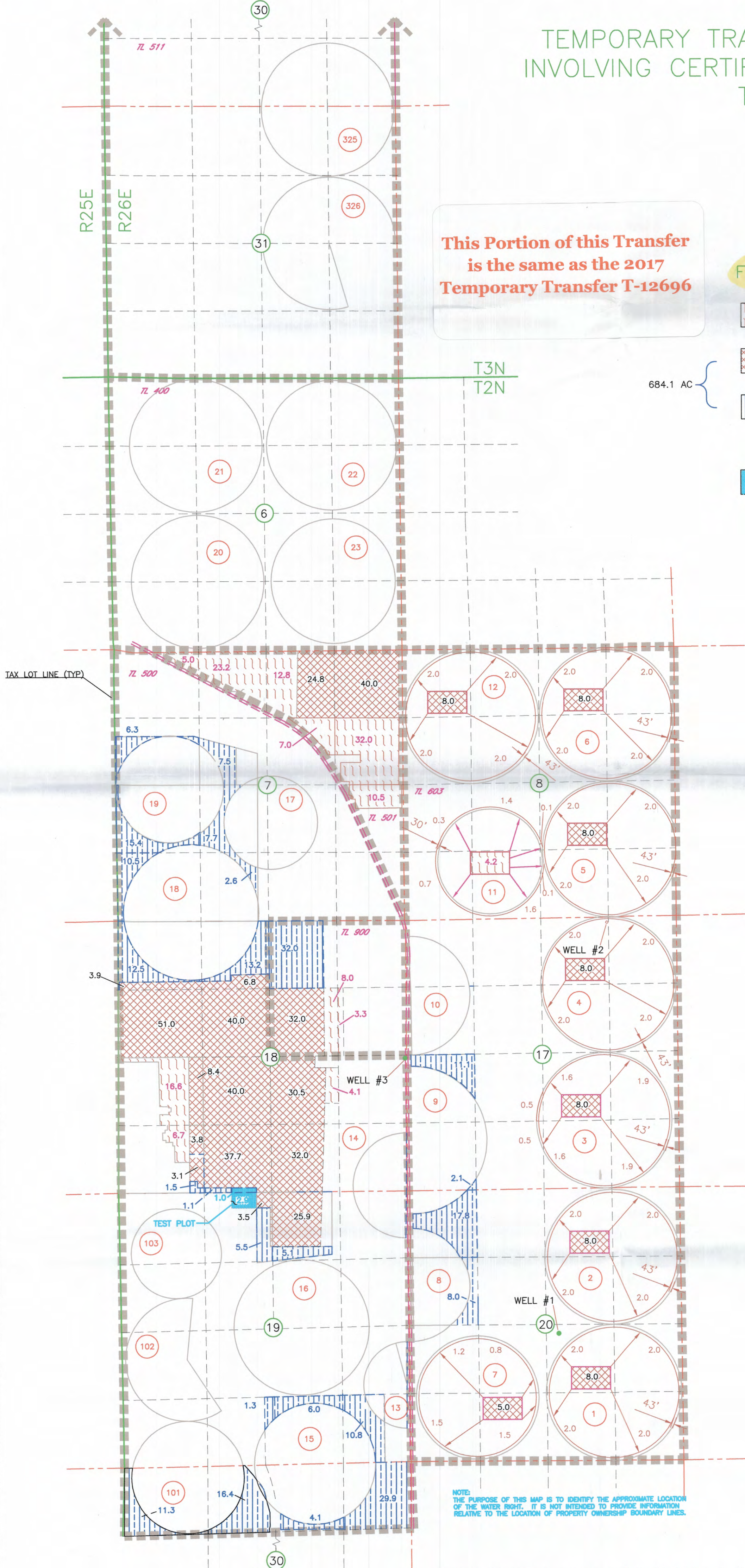
-  133.4 AC PRIMARY COLUMBIA RIVER CERT 68536
-  444.4 AC PRIMARY WELLS #1 & #3 CERT 61848
 SUPPLEMENTAL COLUMBIA RIVER CERT 68536
 SUPPLEMENTAL WELL #2 & #3 CERT 61849
-  239.7 AC PRIMARY WELLS #1 & #3 CERT 61848
 SUPPLEMENTAL WELL #2 & #3 CERT 61849
- 817.5 AC
-  3.9 AC TEST PLOT AREA NOT INVOLVED IN THIS TRANSFER

AUTHORIZED P.O.D.
 LOCATED S86°32'38"W 2841.57 FT FROM THE
 NE CORNER SEC 2, T4N, R25E WM

AUTHORIZED P.O.A.
 WELL #1 LOCATED 2470'N AND 2910'E FROM
 THE SW COR SEC 20 T2N, R26E, WM

WELL #2 LOCATED 100'S AND 1350'W FROM
 THE NE COR SEC 17 T2N, R26E, WM

WELL #3 LOCATED 30'S AND 30'W FROM THE
 E ¼ COR SEC 18 T2N, R26E, WM



NOTE:
 THE PURPOSE OF THIS MAP IS TO IDENTIFY THE APPROXIMATE LOCATION
 OF THE WATER RIGHT. IT IS NOT INTENDED TO PROVIDE INFORMATION
 RELATIVE TO THE LOCATION OF PROPERTY OWNERSHIP BOUNDARY LINES.