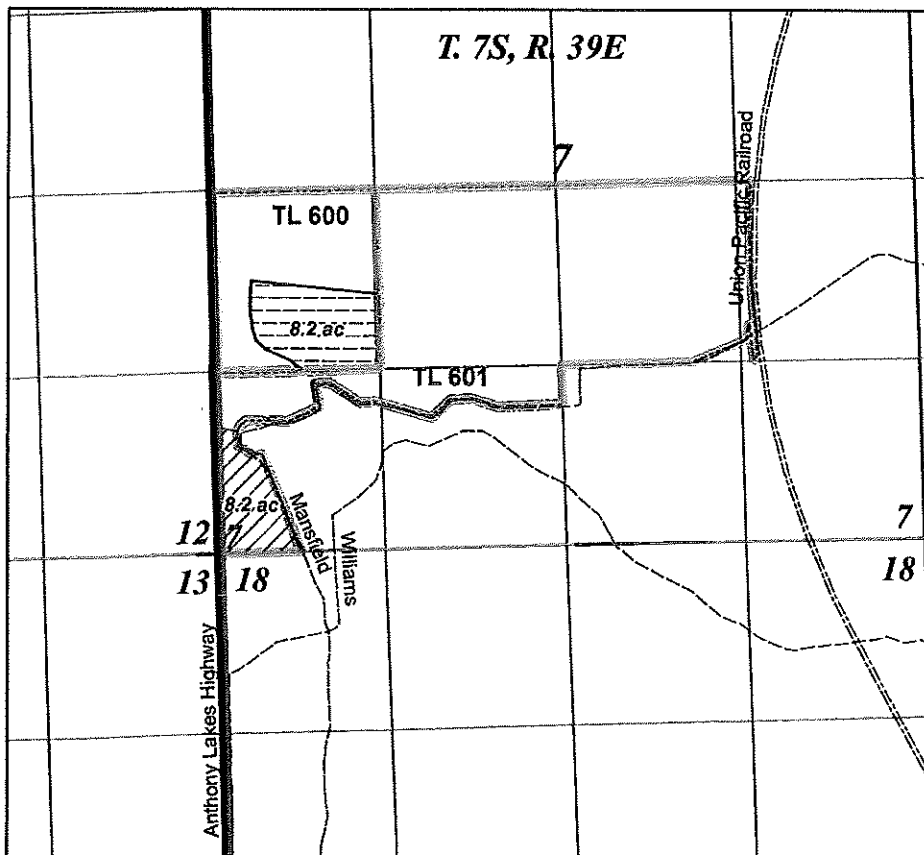
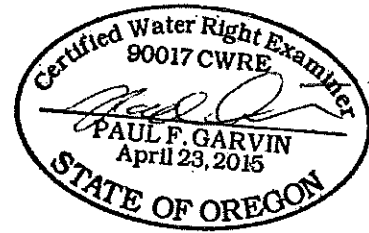
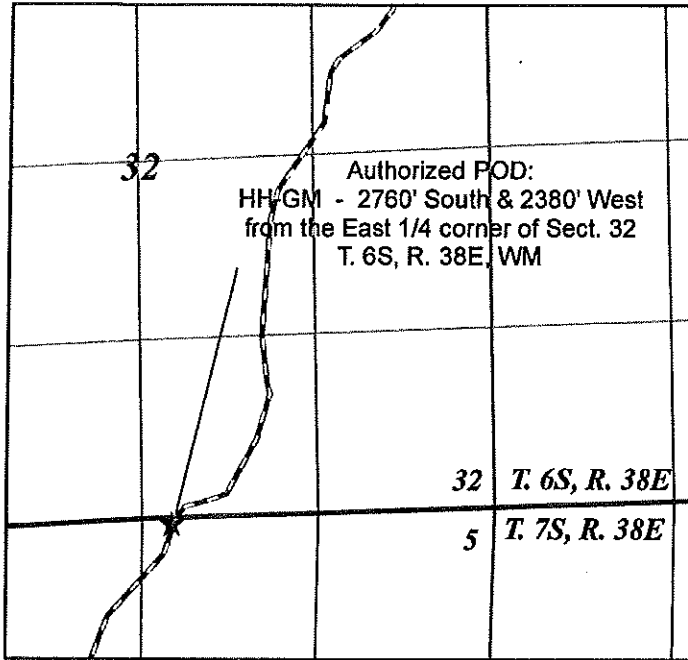
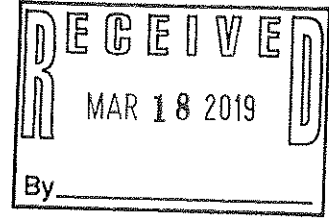
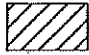
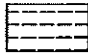






Scale: 1" = 1320'

Map to Accompany a Place of Use Change for Sexton Land LLC



-  C-83738
"FROM" - 1873 8.2 ac
"TO" - 1895 8.2 ac
-  C-83738
"FROM" - 1895 8.2 ac
"TO" - 1873 8.2 ac
-  Taxlots
-  Authorized POD