

Amended APP for T-12708

4/1/2019 *ORL*

Part 5 of 5 – Water Right Information

Please use a separate Part 5 for each water right being changed. See instructions on page 6, to copy and paste additional Part 5s, or to add additional rows to tables within the form.

CERTIFICATE # 90485

Description of Water Delivery System

System capacity: 0.375 cubic feet per second (cfs) **OR**
 _____ gallons per minute (gpm)

Describe the current water delivery system or the system that was in place at some time within the last five years. Include information on the pumps, canals, pipelines and sprinklers used to divert, convey and apply the water at the authorized place of use. **Center pivot sprinkler irrigation with various handline sprinker irrigation 50 hp turbine pump.**

Table 1. Location of Authorized and Proposed Point(s) of Diversion (POD) or Appropriation (POA)
 (Note: If the POD/POA name is not specified on the certificate, assign it a name or number here.)

POD/POA Name or Number	Is this POD/POA Authorized on the Certificate or is it Proposed?	If POA, OWRD Well Log ID# (or Well ID Tag # L-___)	Twp		Rng		Sec	¼ ¼		Tax Lot, DLC or Gov't Lot	Measured Distances (from a recognized survey corner)
POA #2	<input checked="" type="checkbox"/> Authorized <input type="checkbox"/> Proposed	LAKE 186	25	S	15	E	27	NW	NW	1200	1309' S & 1562' W from the N1/4 Corner, Sec 27.
POA #1	<input type="checkbox"/> Authorized <input checked="" type="checkbox"/> Proposed	LAKE 145	25	S	14	E	16	SE	SE	2902	1000' N & 60' W from the SE Corner, Sec 16.
	<input type="checkbox"/> Authorized <input type="checkbox"/> Proposed										
	<input type="checkbox"/> Authorized <input type="checkbox"/> Proposed										

Check all type(s) of change(s) proposed below (change "CODES" are provided in parentheses):

- | | |
|--|---|
| <input checked="" type="checkbox"/> Place of Use (POU) | <input type="checkbox"/> Supplemental Use to Primary Use (S to P) |
| <input type="checkbox"/> Character of Use (USE) | <input checked="" type="checkbox"/> Point of Appropriation/Well (POA) |
| <input type="checkbox"/> Point of Diversion (POD) | <input type="checkbox"/> Additional Point of Appropriation (APOA) |
| <input type="checkbox"/> Additional Point of Diversion (APOD) | <input type="checkbox"/> Substitution (SUB) |
| <input type="checkbox"/> Surface Water POD to Ground Water POA (SW/GW) | <input type="checkbox"/> Government Action POD (GOV) |

Will all of the proposed changes affect the entire water right?

- Yes Complete only the Proposed ("to" or "on" lands) section of Table 2 on the next page. Use the "CODES" listed above to describe the proposed changes.
- No Complete all of Table 2 to describe the portion of the water right to be changed.

RECEIVED

APR 04 2019

Please use and attach additional pages of Table 2 as needed.
See page 6 for instructions.

Do you have questions about how to fill-out the tables?
Contact the Department at 503-986-0900 and ask for Transfer Staff.

Table 2. Description of Changes to Water Right Certificate # 90485

List the change proposed for the acreage in each 1/4 1/4. If more than one change is proposed, specify the acreage associated with each change.
If there is more than one POD/POA involved in the proposed changes, specify the acreage associated with each POD/POA.

AUTHORIZED (the "from" or "off" lands)										PROPOSED (the "to" or "on" lands)													
The listing that appears on the certificate BEFORE PROPOSED CHANGES										The listing as it would appear AFTER PROPOSED CHANGES													
List only that part or portion of the water right that will be changed.										are made.													
Twp	Range	Section	1/4	1/4	Tax Lot	Gvt Lot or DLC	Acres	Type of USE listed on Certificate	POD(s) or POA(s) (name or number from Table 1)	Priority Date	Proposed Changes (see "CODES" from previous page)	Twp	Range	Section	1/4	1/4	Tax Lot	Gvt Lot or DLC	Acres	New Type of USE	POD(s)/ POA(s) to be used (from Table 1)	Priority Date	
EXAMPLE																							
2	S	9	E	15	NE	NW	100		Irrigation	POD #1 POD #2	1901		2	S	9	E	1	NW	NW	500	1	10.0	POD #5 1901
													2	S	9	E	2	SW	NW	500		5.0	POD #6 1901
25	S	15	E	27	NW	NE	1200		Irrigation	POA #5	11-3-1983	POU/POA	25	S	14	E	16	NE	SE	4100		7.05	POA #1 11-3-1983
25	S	15	E	27	NE	NW	1200		Irrigation	POA #5	11-3-1983	POU/POA	25	S	14	E	16	SE	SE	4100		22.95	POA #1 11-3-1983
25	S	15	E	27	NW	NW	1200		Irrigation	POA #5	11-3-1983												
TOTAL ACRES:										30.0		TOTAL ACRES:										30.0	

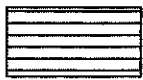
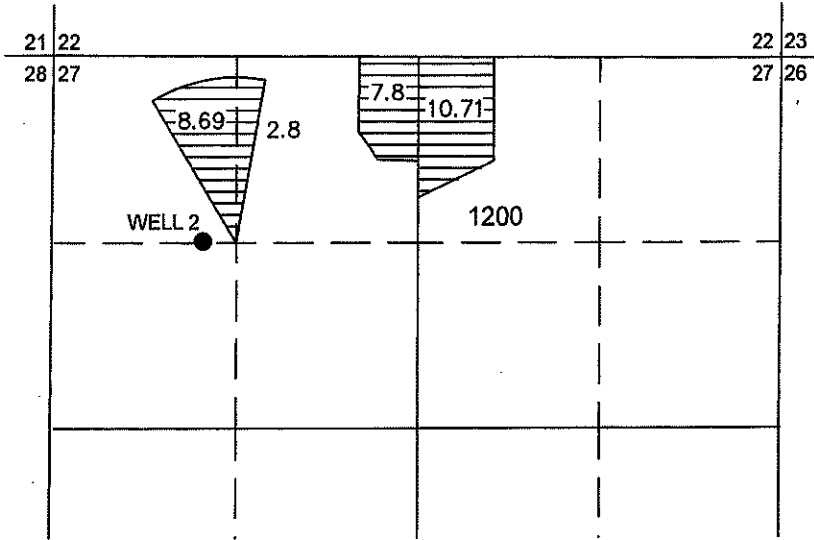
Additional remarks: -

RECEIVED
APR 04 2019
OWRD

*Amended APP MAP for T-12708
4/1/2019 ORE*

**TRANSFER MAP TO ACCOMPANY APPLICATION
TO CHANGE PLACE OF USE & POINTS OF
APPROPRIATION FOR
MIKE AND LORI CHITWOOD**

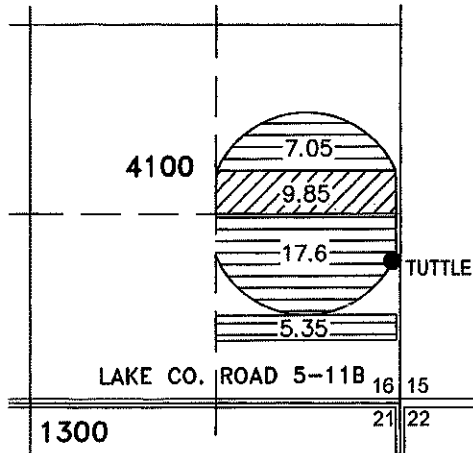
"FROM" TAX LOT 1200
IN SECTION 27, TOWNSHIP 25 SOUTH, RANGE 15 EAST, W.M.
LAKE COUNTY, OREGON



30.0 ACRES PRIMARY GROUND WATER
RIGHTS FROM CERTIFICATE #90485
(G-10701) POA 5 TRANSFERRED AS SHOWN.

- **WELL 2 (LAKE 186)**
WELL IN NW 1/4 NW 1/4 OF SECTION 27, T25S
R15E, W.M. LOCATED 1309 FEET SOUTH AND 1562
FEET WEST FROM N 1/4 CORNER.

"TO" TAX LOT 4100
IN SECTION 16, TOWNSHIP 25 SOUTH, RANGE 14 EAST, W.M.
LAKE COUNTY, OREGON



9.85 ACRES PRIMARY GROUND WATER
RIGHTS FROM CERTIFICATE #78329 (G-9137)
TUTTLE WELL REMAINS, AS SHOWN.

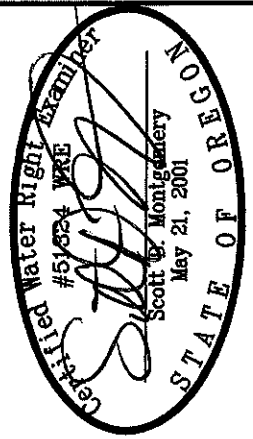
- **TUTTLE WELL (LAKE 745)**
WELL IN SE 1/4 SE 1/4 OF SECTION 16, T25S R14E,
W.M. LOCATED 100 FEET NORTH AND 60 FEET
WEST FROM SE CORNER.

RECEIVED

APR 04 2019

OWRD

THIS MAP IS FOR THE PURPOSE OF LOCATING A WATER
RIGHT ONLY AND HAS NO INTENT TO PROVIDE LEGAL
DIMENSIONS OR THE LOCATION OF PROPERTY LINES.



RENEWAL DATE: 12/31/2020

**ALL POINTS ENGINEERING
& SURVEYING, INC.**

P.O. BOX 767
TERREBONNE, OREGON 97760
(541) 548-5833 PH
Scott@APEandS.com
www.APEandS.com



PROJECT No. 19-042

PREPARED AT THE REQUEST OF:
**MIKE & LORI CHITWOOD
64595 FORT ROCK ROAD
FORT ROCK, OR 97735**

NOTICE TO WATER WELL CONTRACTOR

The original and first copy of this report are to be filed with the

STATE ENGINEER, SALEM, OREGON 97310 within 30 days from the date of well completion.

Lake 745

LAKE 745
WATER WELL REPAIR
 STATE OF OREGON
 (Please type or print)
 (Do not write above WATER RESOURCES DEPT)

RECEIVED see new form attached
 JAN 5 1981 State Well No. 275/14E-16dd
 State Permit No. G-9137
 SALEM, OREGON Charlotte log form

(1) OWNER:

Name Robert E. Tuttle
 Address 917 Rock Oregon 971736

(2) TYPE OF WORK (check):

New Well Deepening Reconditioning Abandon
 If abandonment, describe material and procedure in Item 12.

(3) TYPE OF WELL:

Rotary Driven
 Cable Jetted
 Dug Bored

(4) PROPOSED USE (check):

Domestic Industrial Municipal
 Irrigation Test Well Other

(10) LOCATION OF WELL:

County Lake Driller's well number 132
SE 1/4 SE 1/4 Section 16 T. 27S R. 14E W.M.
 Bearing and distance from section or subdivision corner

(11) WATER LEVEL: Completed well.

Depth at which water was first found 186 ft.
 Static level 42 ft. below land surface. Date DEC 20-80
 Artesian pressure _____ lbs. per square inch. Date _____

(12) WELL LOG:

Diameter of well below casing 10"
 Depth drilled 212 ft. Depth of completed well 210 ft.

Formation: Describe color, texture, grain size and structure of materials; and show thickness and nature of each stratum and aquifer penetrated, with at least one entry for each change of formation. Report each change in position of Static Water Level and indicate principal water-bearing strata.

MATERIAL	From	To	SWL
sandy brown soil	0	5	
brown clay	5	30	
red gravel & green clay conglomerate	30	94	
Gray basalt - hard	94	110	
Brown clay	110	135	
Brown sandstone	135	143	
black pea gravel and black sand conglomerate	143	158	
Green clay	158	162	
Brown shale	162	186	
Brown clay & Brown pumy seams w/b	186	212	42

RECEIVED
 APR 04 2019

OWRD

Work started Dec 19 1980 Completed Dec 20 1980
 Date well drilling machine moved off of well Dec 22 1980

Drilling Machine Operator's Certification:

This well was constructed under my direct supervision. Materials used and information reported above are true to my best knowledge and belief.
 [Signed] Ston P Adams Date Dec 20 1980
 (Drilling Machine Operator)
 Drilling Machine Operator's License No. 1302

Water Well Contractor's Certification:

This well was drilled under my jurisdiction and this report is true to the best of my knowledge and belief.
 Name Lyle Adams
 (Person, firm or corporation) (Type or print)
 Address Box 467 Christman Valley Ore 97638
 [Signed] Lyle Adams
 (Water Well Contractor)
 Contractor's License No. 690 Date Dec 22 1980

CASING INSTALLED:

Threaded Welded
12" Diam. from 0 ft. to 100 ft. Gage 125D
 " Diam. from _____ ft. to _____ ft. Gage _____
 " Diam. from _____ ft. to _____ ft. Gage _____

PERFORATIONS:

Perforated? Yes No.
 Type of perforator used _____
 Size of perforations in. by in.
 _____ perforations from _____ ft. to _____ ft.
 _____ perforations from _____ ft. to _____ ft.
 _____ perforations from _____ ft. to _____ ft.

(7) SCREENS:

Well screen installed? Yes No
 Manufacturer's Name _____ Model No. _____
 Type _____
 Diam. _____ Slot size _____ Set from _____ ft. to _____ ft.
 Diam. _____ Slot size _____ Set from _____ ft. to _____ ft.

(8) WELL TESTS:

Drawdown is amount water level is lowered below static level
 Was a pump test made? Yes No If yes, by whom?
 Yield: gal./min. with ft. drawdown after hrs.
 " " " " " "
 " " " " " "
1000 gal./min. with 1 ft. drawdown after 1 hrs.
 Artesian flow _____ g.p.m.
 Temperature of water _____ Depth artesian flow encountered _____ ft.

(9) CONSTRUCTION:

Well seal—Material used Cement
 Well sealed from land surface to 100 ft.
 Diameter of well bore to bottom of seal 15 1/4 in.
 Diameter of well bore below seal 10 in.
 Number of sacks of cement used in well seal 51 sacks
 Number of sacks of bentonite used in well seal _____ sacks
 Brand name of bentonite _____
 Number of pounds of bentonite per 100 gallons of water _____ lbs./100 gals.
 Was a drive shoe used? Yes No Plugs _____ Size: location _____ ft.
 Did any strata contain unusable water? Yes No
 Type of water? _____ depth of strata _____
 Method of sealing strata off _____
 Was well gravel packed? Yes No Size of gravel: _____
 Gravel placed from _____ ft. to _____ ft.