

Table 1. Location of Authorized and Proposed Point(s) of Diversion (POD) or Appropriation (POA)
 (Note: If the POD/POA name is not specified in the permit, assign it a name or number here.)

POD/POA Name or Number	Is this POD/POA Authorized by the permit or is it Proposed?	If POA, OWRD Well Log ID# (or Well ID Tag # L-____)	Twp		Rng		Sec	¼ ¼		Tax Lot, DLC or Gov't Lot	Measured Distances (from a recognized survey corner)
T2	<input type="checkbox"/> Authorized <input checked="" type="checkbox"/> Proposed	HARN 51944/ 52119	24	S	32.5	E	28	NW	NW	8301	1355' S & 1400' E from NW cor, Sec 28
T3	<input type="checkbox"/> Authorized <input checked="" type="checkbox"/> Proposed	HARN 52491	24	S	32.5	E	21	SE	SE	500	50' N & 160' W from SE cor, Sec 21
T5	<input type="checkbox"/> Authorized <input checked="" type="checkbox"/> Proposed	HARN 50789	24	S	32.5	E	20	NE	SE	500	2385' N & 2630' E from ¼ cor, Sec 20 & 29
T6	<input type="checkbox"/> Authorized <input checked="" type="checkbox"/> Proposed	HARN 50285	24	S	32.5	E	21	NE	SE	9900	1130' S & 50' W from ¼ cor, Sec 21 & 22
T1	<input type="checkbox"/> Authorized <input checked="" type="checkbox"/> Proposed	HARN 52215	24	S	32.5	E	29	NE	NE	8301	1335' N & 1395' E from C ¼ cor, Sec 29
T4	<input type="checkbox"/> Authorized <input checked="" type="checkbox"/> Proposed	HARN 52624	24	S	32.5	E	29	NE	SE	8301	410' S & 2490' E from C ¼ cor, Sec 29
#1	<input checked="" type="checkbox"/> Authorized <input type="checkbox"/> Proposed	REPLACED BY TYLER 1	24	S	32.5	E	29	NE	NW	8400	2610' N & 925' W from C ¼ cor, Sec 29
#2	<input checked="" type="checkbox"/> Authorized <input type="checkbox"/> Proposed	REPLACED BY T1	24	S	32.5	E	29	NW	NE	8301	2610' N & 960' E from C ¼ cor, Sec 29
#3	<input checked="" type="checkbox"/> Authorized <input type="checkbox"/> Proposed	REPLACED BY TYLER 3	24	S	32.5	E	29	SE	SW	8400	2580' S & 740' W from C 1/4, cor, Sec 29
#4	<input checked="" type="checkbox"/> Authorized <input type="checkbox"/> Proposed	REPLACED BY T4	24	S	32.5	E	29	SE	SE	8301	2580' S & 1785' E from C ¼ cor, Sec 29
Tyler 1	<input type="checkbox"/> Authorized <input checked="" type="checkbox"/> Proposed	HARN 52454	24	S	32.5	E	20	SE	SW	8400	90' N & 140' W from the S ¼ cor, Sec 20
Tyler 2	<input type="checkbox"/> Authorized <input checked="" type="checkbox"/> Proposed	HARN 52490	24	S	32.5	E	29	NE	NW	8400	300' S & 100' W from the N ¼ cor, Sec 29
Tyler 3	<input type="checkbox"/> Authorized <input checked="" type="checkbox"/> Proposed	UNKNOWN	24	S	32.5	E	20	NE	SW	5900	1370' N & 1250' W from the S ¼ cor, Sec 20

Check all type(s) of change(s) proposed below (change "CODES" are provided in parentheses):

- | | |
|---------------------------------------------------------------|------------------------------------------------------------------------------|
| <input checked="" type="checkbox"/> Place of Use (POU) | <input checked="" type="checkbox"/> Point of Appropriation/Well (POA) |
| <input type="checkbox"/> Point of Diversion (POD) | <input checked="" type="checkbox"/> Additional Point of Appropriation (APOA) |
| <input type="checkbox"/> Additional Point of Diversion (APOD) | <input type="checkbox"/> Surface water POD to Ground Water POA (SW/GW) |

Received by OWRD

Will all of the proposed changes affect the entire water use permit?

- Yes Complete only the proposed ("to" lands) section of Table 2 on the next page. Use the "CODES" listed above to describe the proposed changes.
- No Complete all of Table 2 to describe the portion of the permit to be changed.

DEC 20 2019

Salem, OR

Revised

- Note- Propose to have the ability to use T1-T6 together with total allowed flowrate of 3.12 cfs on Van de Stroet's land and TYLER 1-3 together with total allowed flowrate of 3.12 cfs on Gunderson's land.

Part 5 of 5 – Water Use Permit Information

PERMIT # G-16676

Table 1. Location of Authorized and Proposed Point(s) of Diversion (POD) or Appropriation (POA)
 (Note: If the POD/POA name is not specified in the permit, assign it a name or number here.)

POD/POA Name or Number	Is this POD/POA Authorized by the permit or is it Proposed?	If POA, OWRD Well Log ID# (or Well ID Tag # L-___)	Twp		Rng		Sec	¼ ¼		Tax Lot, DLC or Gov't Lot	Measured Distances (from a recognized survey corner)
Well	<input checked="" type="checkbox"/> Authorized <input type="checkbox"/> Proposed	NOT BUILT	24	S	32 .5	E	28	NW	NW	8301	200' S & 1320' E from NW cor, Sec 28
T2	<input type="checkbox"/> Authorized <input checked="" type="checkbox"/> Proposed	HARN 51944/ 52119	24	S	32 .5	E	28	SE	NW	8301	1355' S & 1400' E from NW cor, Sec 28
T3	<input type="checkbox"/> Authorized <input checked="" type="checkbox"/> Proposed	HARN 52491	24	S	32 .5	E	21	SE	SE	500	50' N & 160' W from SE cor, Sec 21
T5	<input type="checkbox"/> Authorized <input checked="" type="checkbox"/> Proposed	HARN 50789	24	S	32 .5	E	20	NE	SE	500	2385' N & 2630' E from ¼ cor, Sec 20 & 29
T6	<input type="checkbox"/> Authorized <input checked="" type="checkbox"/> Proposed	HARN 50285	24	S	32 .5	E	21	NE	SE	9900	1130' S & 50' W from ¼ cor, Sec 21 & 22
T1	<input type="checkbox"/> Authorized <input checked="" type="checkbox"/> Proposed	HARN 52215	24	S	32 .5	E	29	NE	NE	8301	1335' N & 1395' E from C ¼ cor, Sec 29
T4	<input type="checkbox"/> Authorized <input checked="" type="checkbox"/> Proposed	HARN 52624	24	S	32 .5	E	29	NE	SE	8301	410' S & 2490' E from C ¼ cor, Sec 29

Check all type(s) of change(s) proposed below (change "CODES" are provided in parentheses):

- | | |
|---------------------------------------------------------------|------------------------------------------------------------------------------|
| <input checked="" type="checkbox"/> Place of Use (POU) | <input type="checkbox"/> Point of Appropriation/Well (POA) |
| <input type="checkbox"/> Point of Diversion (POD) | <input checked="" type="checkbox"/> Additional Point of Appropriation (APOA) |
| <input type="checkbox"/> Additional Point of Diversion (APOD) | <input type="checkbox"/> Surface water POD to Ground Water POA (SW/GW) |

Will all of the proposed changes affect the entire water use permit?

- Yes Complete only the proposed ("to" lands) section of Table 2 on the next page. Use the "CODES" listed above to describe the proposed changes.
- No Complete all of Table 2 to describe the portion of the permit to be changed.

- Note- Propose to have the ability to use all POAs together with total allowed flowrate of 1.56 cfs

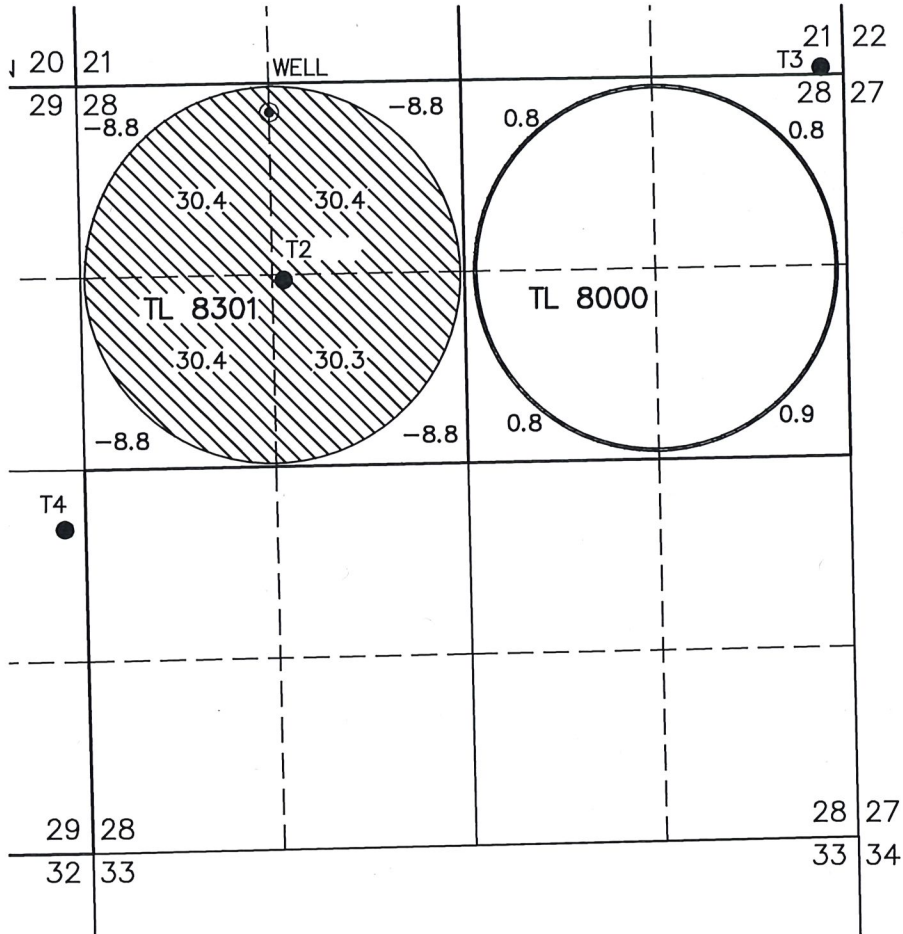
Revised
 Received by OWRD

DEC 20 2019

Salem, OR
 TACS

MAP TO ACCOMPANY APPLICATION TO CHANGE PLACE OF USE AND ADD POINTS OF APPROPRIATION ON PERMIT G-16676 FOR JESSE VAN DE STROET

TAX LOTS 8000 & 8301
IN SECTION 28, TOWNSHIP 24 SOUTH, RANGE 32.5 EAST, W.M.
HARNEY COUNTY, OREGON



Received by OWRD

DEC 20 2019

Salem, OR

Revised

121.5 ACRES IR FROM PERMIT G-16676 TO ALL WELLS *, AS SHOWN. RATE 1/80 CFS/ACRE DUTY 3.0 AF/ACRE

3.3 ACRES IR FROM PERMIT G-16676 TO ALL WELLS *, AS SHOWN. RATE 1/80 CFS/ACRE DUTY 3.0 AF/ACRE
THIS REDUCTION IN AREA OF USE IS INTENDED TO ALLOW FULL Q OR 1/80 CFS PER ACRE ON THE 1.56 CFS ALLOWED.

* SEE ACCOMPANYING SHEET SHOWING ALL WELLS:
T1, T2, T3, T4, T5, AND T6

THIS MAP IS FOR THE PURPOSE OF LOCATING A WATER RIGHT ONLY AND HAS NO INTENT TO PROVIDE LEGAL DIMENSIONS OR THE LOCATION OF PROPERTY LINES.

⊙ WELL IN THE NW 1/4 OF THE NE 1/4 SECTION 29 & 200' SOUTH & 1320' EAST FROM THE NW CORNER SECTION 28. REPLACED BY T1 - T6 SEE NOTE BESIDE LEFT.

PROJECT No. 17-132

PREPARED AT THE REQUEST OF:

JESSE VAN DE STROET
1524 29TH STREET
INWOOD, IA 51240

**ALL POINTS ENGINEERING
& SURVEYING, INC.**



P.O. BOX 767
TERREBONNE, OREGON 97760
(541) 548-5833 PH
scott@apeands.com
www.APEandS.com

Please use and attach additional pages of Table 2 as needed.
See page 6 for instructions.

Do you have questions about how to fill-out the tables?
Contact the Department at 503-986-0900 and ask for Transfer Staff.

Table 2. Description of Changes to Water Use Permit # G-16676

List the change proposed for the acreage in each 1/4 1/4. If more than one change is proposed, specify the acreage associated with each change. If there is more than one POD/POA involved in the proposed changes, specify the acreage associated with each POD/POA.

AUTHORIZED (the "from" or "off" lands) The listing that appears on the certificate BEFORE PROPOSED CHANGES										PROPOSED (the "to" or "on" lands) The listing as it would appear AFTER PROPOSED CHANGES are made.									
List only that part or portion of the water right that will be changed.										Proposed Changes (see "CODES" from previous page)									
Twp	Rng	Sec	1/4 1/4	Tax Lot	Gvt Lot or DLC	Acres (if applicable)	POD(s) or POA(s) (name or number from Table 1)	Priority Date		Twp	Rng	Sec	1/4 1/4	Tax Lot	Gvt Lot or DLC	Acres (if applicable)	POD(s) or POA(s) to be used (from Table 1)	Priority Date	
							POU/APOA			24 S	32.5 E	28	NE	NW	8301	30.4	T1 - T6	2009	
							POU/APOA			24 S	32.5 E	28	NW	NW	8301	30.4	T1 - T6	2009	
							POU/APOA			24 S	32.5 E	28	SW	NW	8301	30.4	T1 - T6	2009	
							POU/APOA			24 S	32.5 E	28	SE	NW	8301	30.3	T1 - T6	2009	
							POU/APOA			24 S	32.5 E	28	NE	NE	8000	0.8	T1 - T6	2009	
							POU/APOA			24 S	32.5 E	28	NW	NE	8000	0.8	T1 - T6	2009	
							POU/APOA			24 S	32.5 E	28	SW	NE	8000	0.8	T1 - T6	2009	
							POU/APOA			24 S	32.5 E	28	SE	NE	8000	0.9	T1 - T6	2009	
TOTAL ACRES										TOTAL ACRES									
										124.8									

Additional remarks: **Place of use is being voluntarily diminished from 160.0 acres to 124.8 acres to allow the POU full Q or 1/80 cfs per acre at 1.56 cfs.**

Received by OWRD

DEC 2 0 2019

Salem, OR
Winstead