

TOWNSHIP 6 SOUTH & 7 SOUTH
RANGE 3 WEST, W.M.



0 660 1320 2640
SCALE: 1" = 2640' 0"

CITY LIMITS

Marion
County

EXISTING
DELTA WELL
(ABANDONED)

NEW DELTA
WELL SITE

KEIZER

SALEM

WATER USE AREA- 

NOTE: THE NEW DELTA WELL IS 3' WEST AND
32' SOUTH OF THE ORIGINAL ABANDONED
DELTA WELL.

NOTE: MAP IS FOR SOLE PURPOSE
OF IDENTIFYING LOCATION OF WATER
RIGHT AND HAS NO INTENT TO DIMENSION
OR LOCATE ANY PROPERTY OWNERSHIP LINES

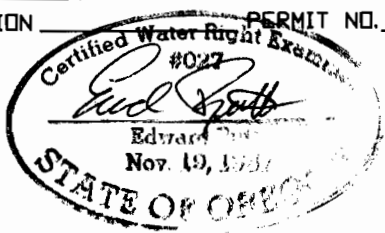
APPLICATION _____ PERMIT NO. _____

RECEIVED

CITY OF KEIZER
DELTA WELL
RIGHTS TRANSFER APPLICATION MAP
OCTOBER 15, 2007

APR 08 2008

WATER RESOURCES DEPT
SALEM, OREGON



11191

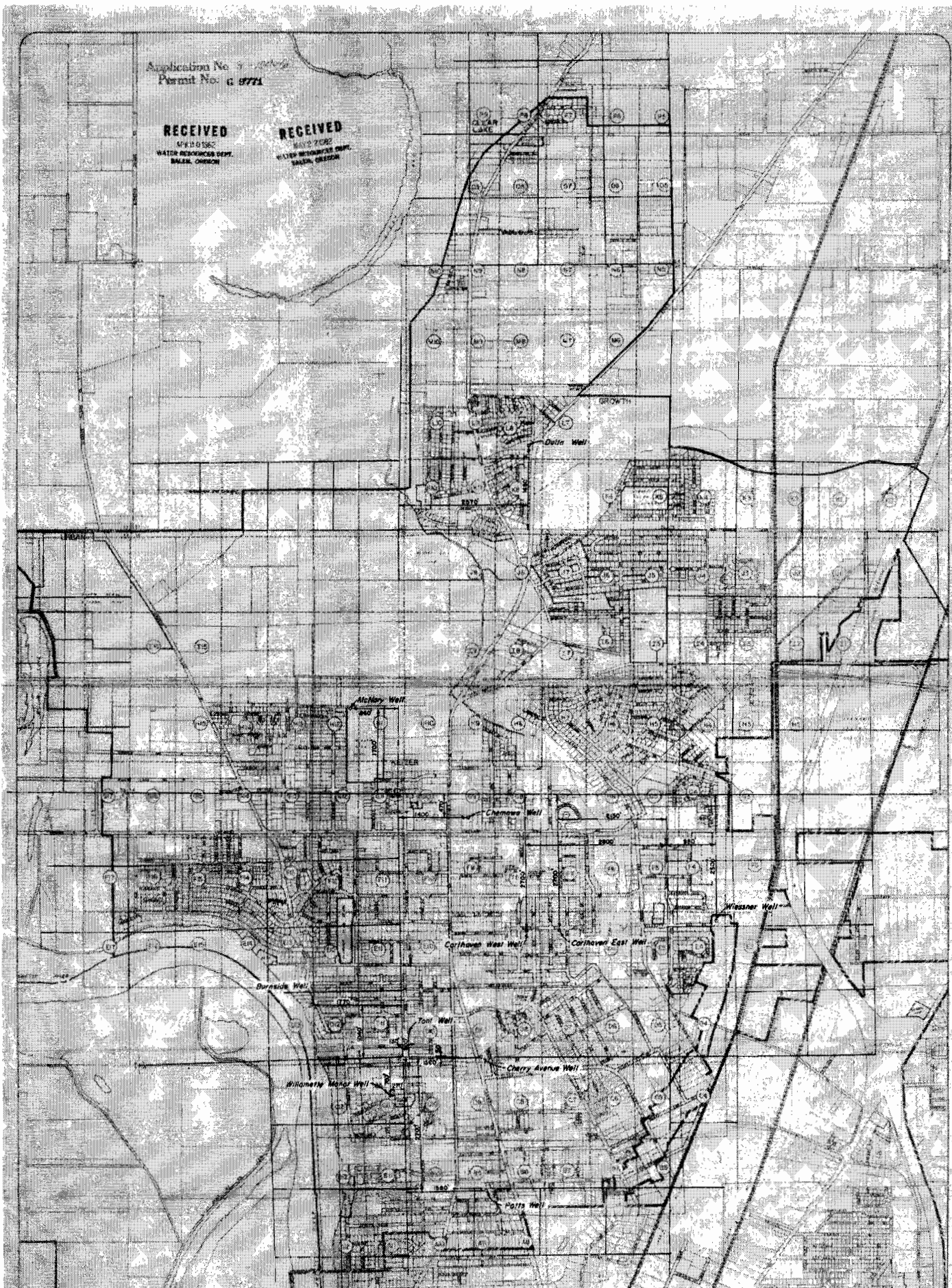
Application No. 9-10000
Permit No. 0 1974

RECEIVED

MAY 2 7 1966
WATER RESOURCES DEPT.
MILWAUKEE, WISCONSIN

RECEIVED

MAY 2 7 1966
WATER RESOURCES DEPT.
MILWAUKEE, WISCONSIN



KEIZER • WATER • DISTRICT



RECEIVED
 APR 08 2008
 WATER HEAVEN
 SALEM, OREGON

1 10591

48 ENGINEERING & CONSULTING, LLC
 3000 MARKET STREET, SUITE 527
 SALEM, OREGON 97301
 (503) 589-1115

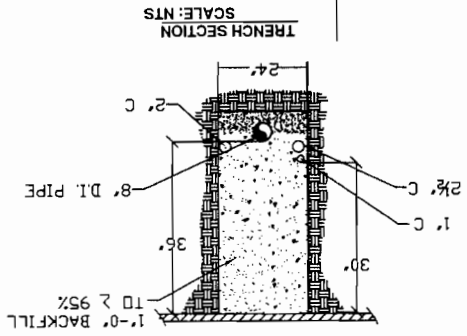
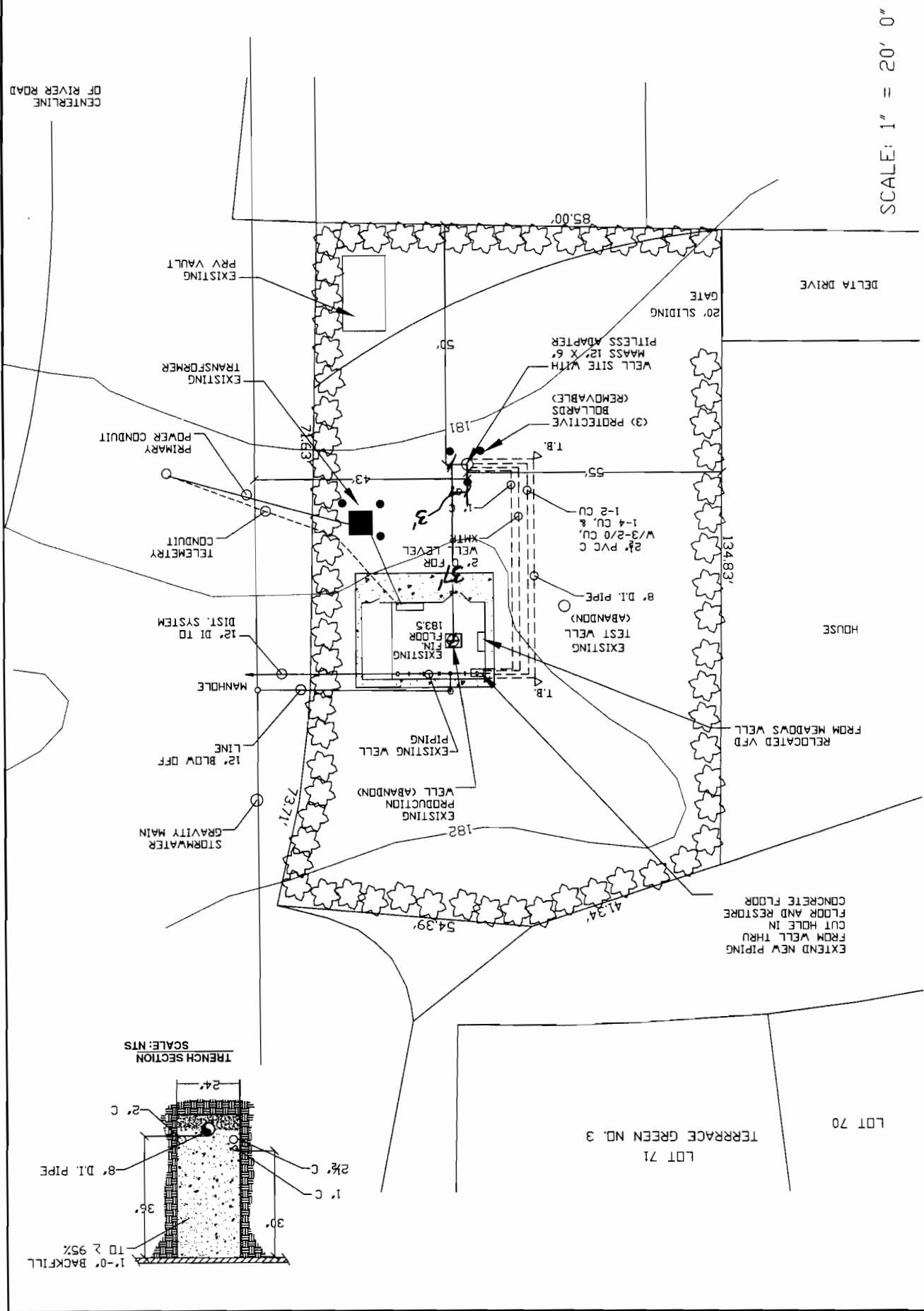
REGISTERED PROFESSIONAL ENGINEER
 LICENSE NO. 002300
 EXPIRES 12/31/2008

CITY OF KEIZER
 DELTA PUMP STATION
 REVISIONS-2006
 SITE PLAN

PREPARED FOR:
 CITY OF KEIZER
 P.O. BOX 21000
 KEIZER, OREGON 97307

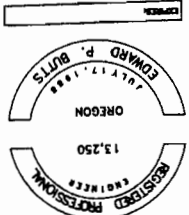
DESIGNER:	DATE:
DRAWN:	DATE:
CHECKED:	DATE:
SCALE:	
REVISIONS:	
No.	Date

SCALE: 1" = 20' 0"



NO.	REVISIONS	DATE

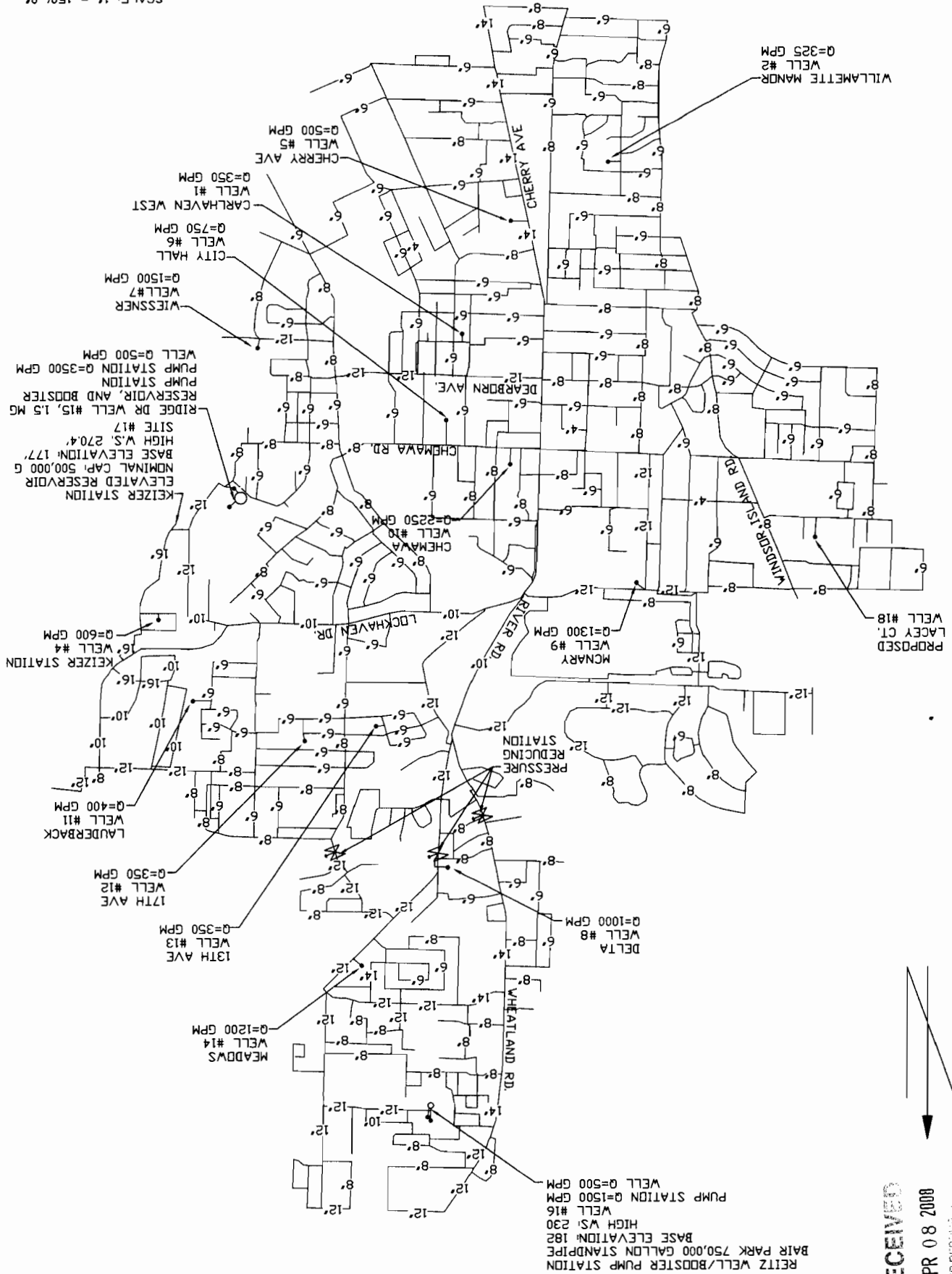
CITY OF KEIZER/KEIZER STATION
SYSTEM COMPONENT PUMP
LOCATIONS



4B ENGINEERING & CONSULTING
3000 MARKET ST SUITE 527
SALEM, OREGON 97301
(503) 589-1115
*** WARNING ***
CALL BEFORE YOU DIG
1-800-332-2344

CITY OF KEIZER WATER DISTRIBUTION SYSTEM

SCALE: 1" = 150' 0"



RECEIVED
APR 08 2008
WATER RESOURCES
SALEM, OREGON

REITZ WELL/BOOSTER PUMP STATION
BAIR PARK 750,000 GALLON STANDPIPE
BASE ELEVATION: 182
HIGH W.S.: 230
WELL #16
PUMP STATION Q=1500 GPM
WELL Q=500 GPM

KEIZER STATION
ELEVATED RESERVOIR
NOMINAL CAP. 500,000 G
BASE ELEVATION: 177
HIGH W.S. 270.4
SITE #17
RIDGE DR WELL #15, 1.5 MG
RESERVOIR AND BOOSTER
PUMP STATION Q=3500 GPM
WELL Q=500 GPM

LAUDERBACK
WELL #11
Q=400 GPM
17TH AVE
WELL #12
Q=350 GPM
13TH AVE
WELL #13
Q=350 GPM

MEADOWS
WELL #14
Q=1200 GPM

DELTA
WELL #8
Q=1000 GPM

MCCARY
WELL #9
Q=1300 GPM

PROPOSED
LACEY CT.
WELL #18

WILLAMETTE MANOR
WELL #2
Q=325 GPM