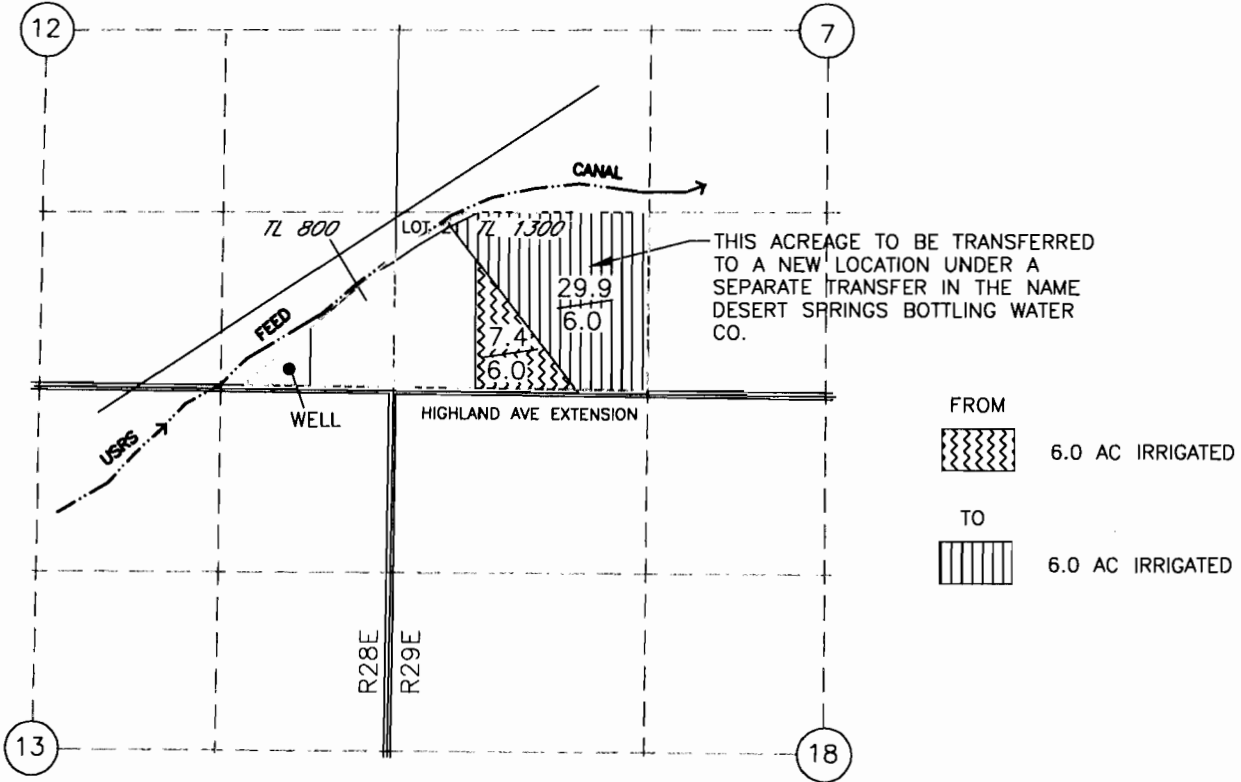
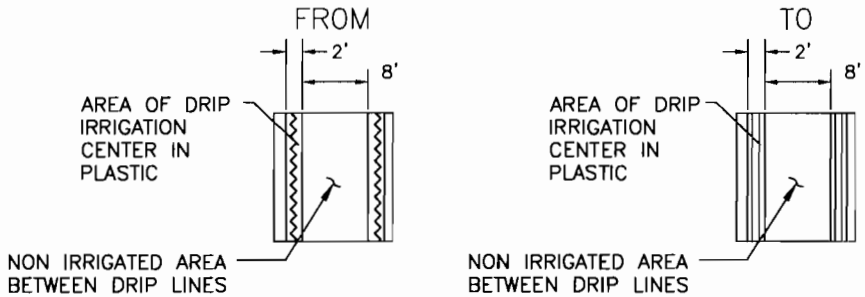


STANFIELD IRRIGATION DISTRICT
 1 YEAR TEMPORARY TRANSFER APPLICATION MAP
 INVOLVING CERTIFICATE 51220
 FOR
 WILLIAM ELFERING - SKIP WALCHIE
 T4N
 UMATILLA CO

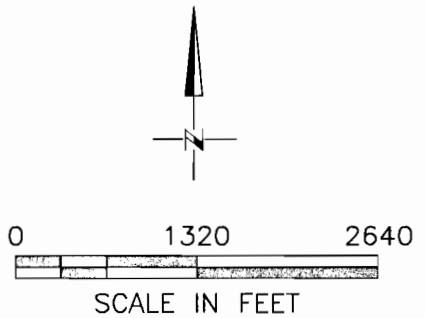


DRIP SYSTEM DETAILS



$\frac{29.9}{6.0}$ ACTUAL ACRES (TYP)
 ACTUAL ACRES TO BE IRRIGATED (TYP)

POINT OF APPROPRIATION WELL
 LOCATED 150'N AND 760'W FROM THE SE CORNER OF SEC 12, T4N, R28E, WM



NOTE:
 THE PURPOSE OF THIS MAP IS TO IDENTIFY THE APPROXIMATE LOCATION OF THE WATER RIGHT. IT IS NOT INTENDED TO PROVIDE INFORMATION RELATIVE TO THE LOCATION OF PROPERTY OWNERSHIP BOUNDARY LINES.