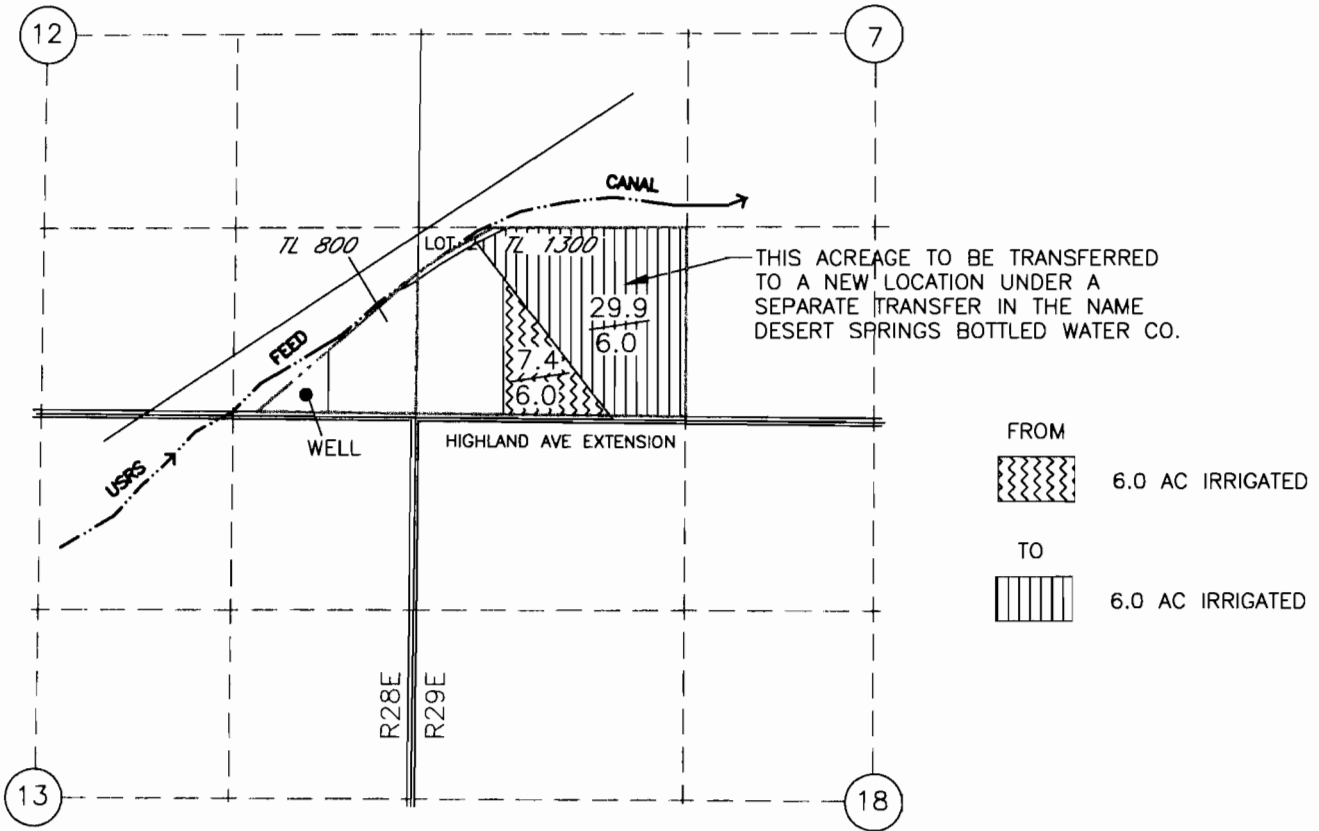
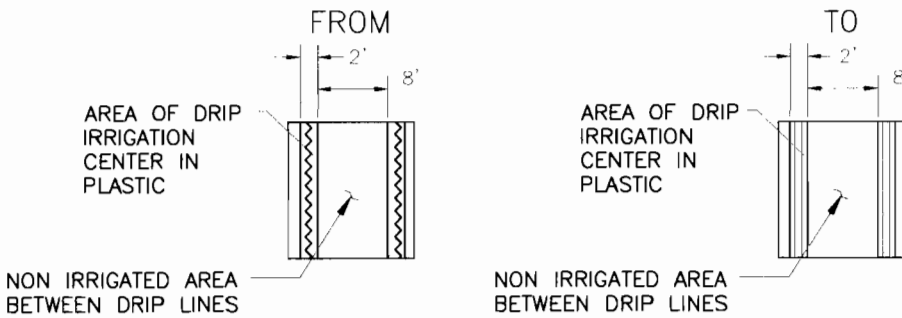


WILLIAM ELFERING – SKIP WALCHLI 1 YEAR
 TEMPORARY TRANSFER APPLICATION MAP
 INVOLVING CERTIFICATE 51220

T4N
 UMATILLA CO



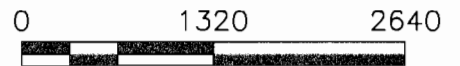
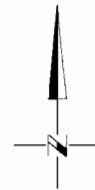
DRIP SYSTEM DETAILS



$\frac{29.9}{6.0}$ ACTUAL ACRES (TYP)
 ACTUAL ACRES TO BE IRRIGATED (TYP)

RECEIVED

JUN 05 2008
 WATER RESOURCES DEPT.
 SALEM, OREGON

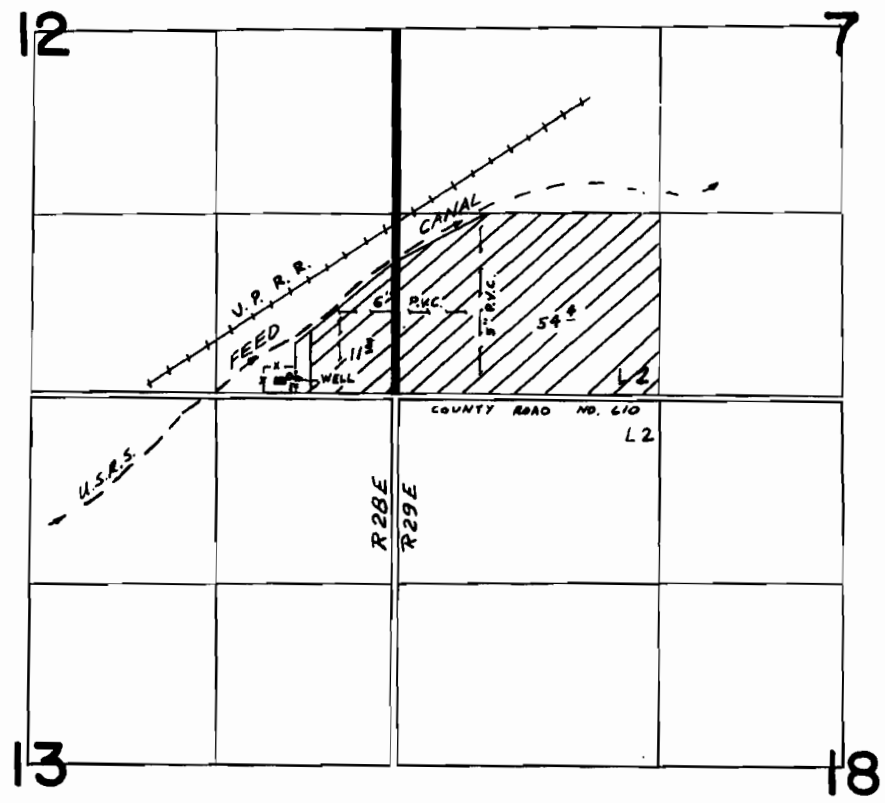


SCALE IN FEET

POINT OF APPROPRIATION
 WELL
 LOCATED 150'N AND 760'W FROM THE SE CORNER
 OF SEC 12, T4N, R28E, WM

NOTE:
 THE PURPOSE OF THIS MAP IS TO IDENTIFY THE APPROXIMATE LOCATION OF THE WATER RIGHT. IT IS NOT INTENDED TO PROVIDE INFORMATION RELATIVE TO THE LOCATION OF PROPERTY OWNERSHIP BOUNDARY LINES.

T. 4N. R. 28 & 29E. W. M.



WELL LOC. 760'W & 150'N FROM SE COR SEC 12

FINAL PROOF SURVEY
UNDER

Application No. G-6744... Permit No. G-6268...
IN NAME OF

..... FRANK E. & DOYLENE M. DYE

Surveyed 11:30..... 1977, by R. BARWIN.....