

**EMERT RANCHES, INC.
C/O JOSEPH McELIGOTT
TRANSFER APPLICATION MAP**

T1S R24E WM
ALL IN TAX LOT 400

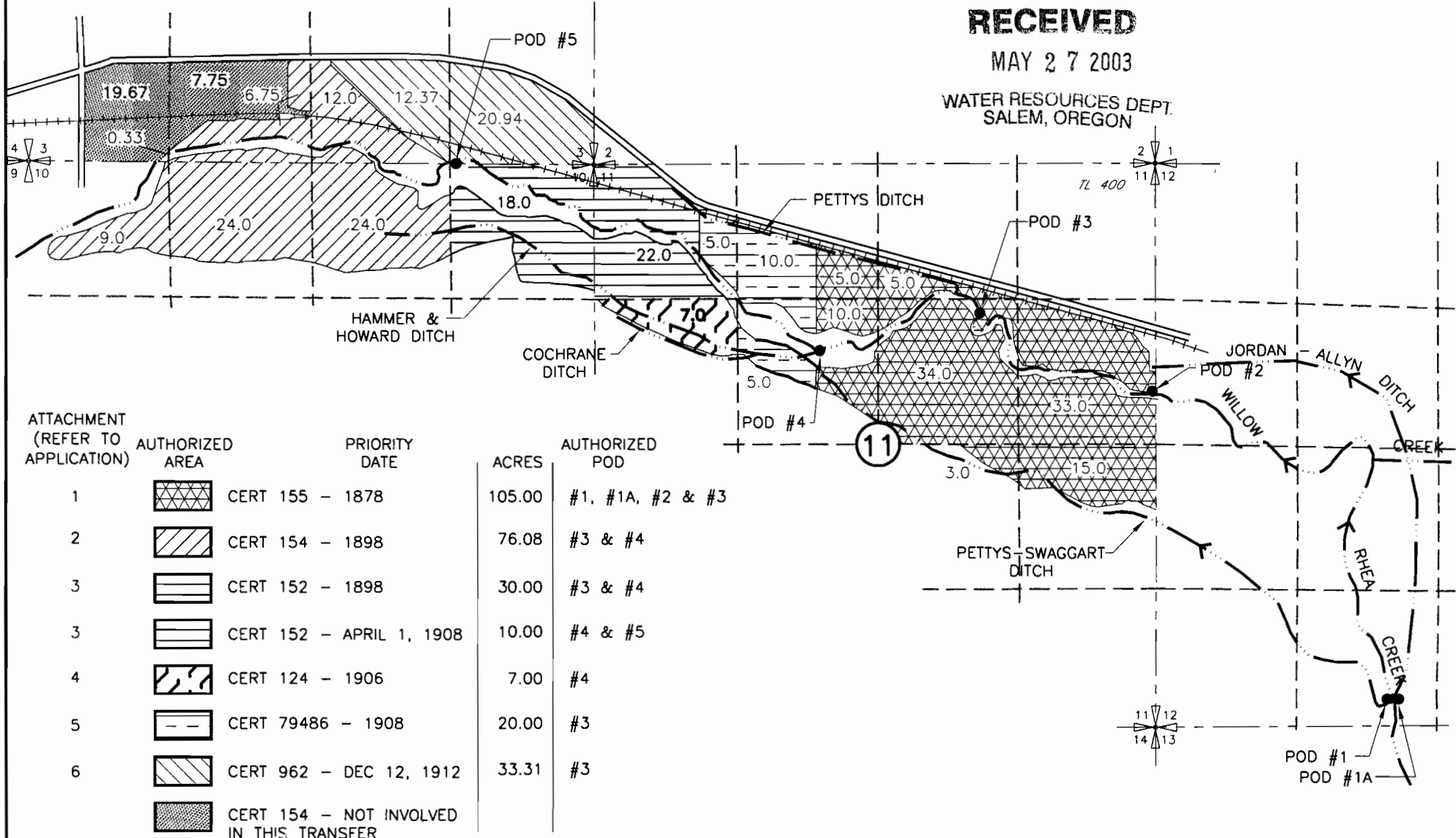
FROM

RECEIVED
JUN 02 2003
WATER RESOURCES DEPT.
SALEM, OREGON

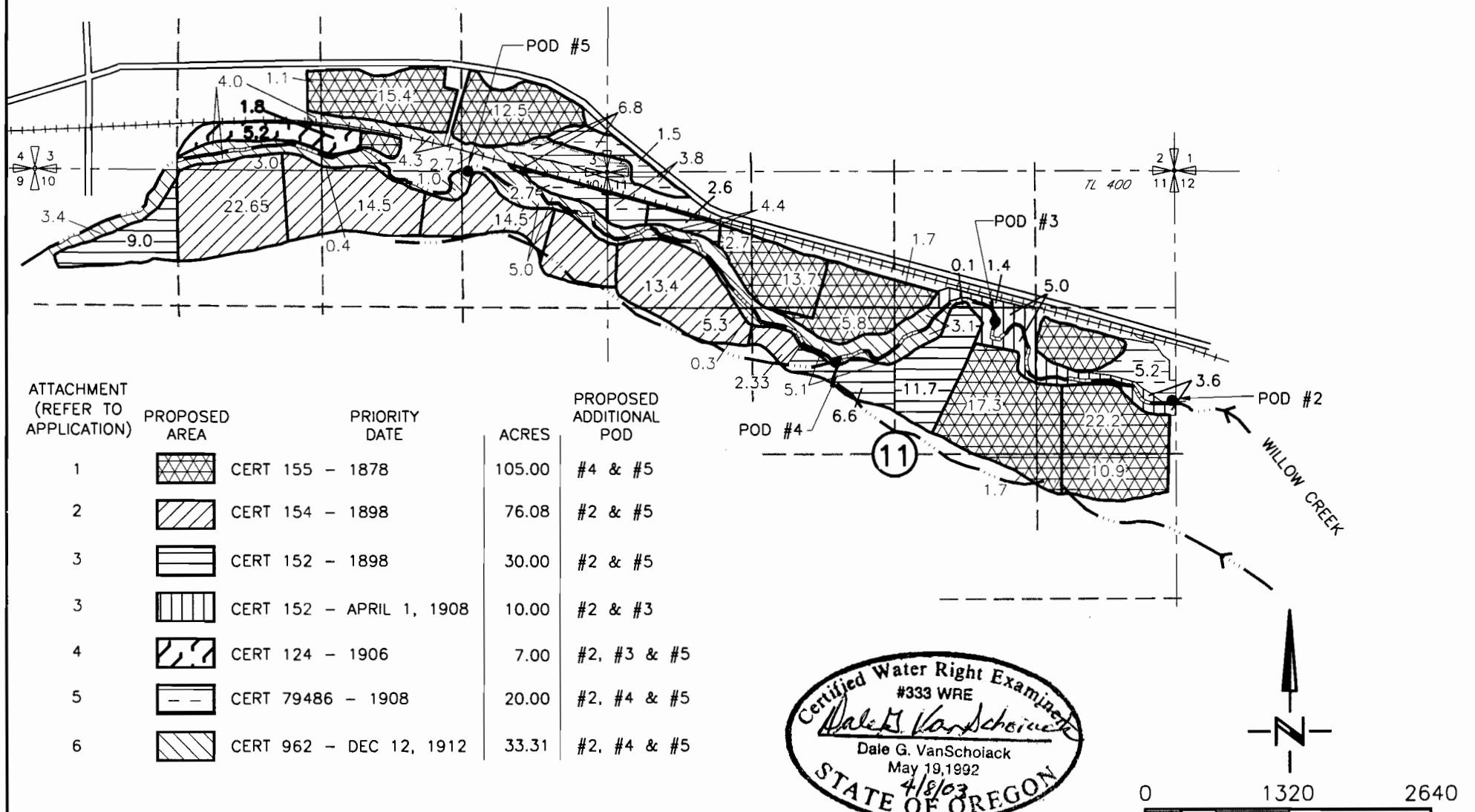
RECEIVED

MAY 27 2003

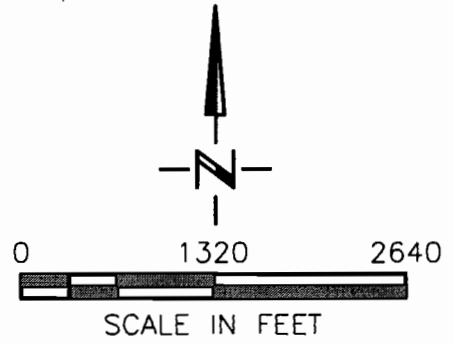
WATER RESOURCES DEPT.
SALEM, OREGON



TO



Certified Water Right Examiner
#333 WRE
Dale G. VanSchoiack
Dale G. VanSchoiack
May 19, 1992
4/8/03
STATE OF OREGON



- DIVERSION**
- #1 PETTYS-SWAGGART DITCH - 130'N & 2160'E FROM THE SW COR OF SECTION 12
 - #1A JORDAN-ALLYN DITCH - 130'N & 2180'E FROM THE SW COR OF SECTION 12
 - #2 2120'S & 30'W FROM THE NE COR OF SECTION 11
 - #3 PETTYS DITCH 1400'S & 1000'E FROM THE N 1/4 COR OF SECTION 11
 - #4 HAMMERS & HOWARD DITCH - 1750'S & 2060'E FROM THE NW COR OF SECTION 11
 - #5 PUMP 20'S & 1240'W FROM THE NE CORNER OF SECTION 10

NOTE:
THE PURPOSE OF THIS MAP IS TO IDENTIFY THE APPROXIMATE LOCATION OF THE WATER RIGHT. IT IS NOT INTENDED TO PROVIDE INFORMATION RELATIVE TO THE LOCATION OF PROPERTY OWNERSHIP BOUNDARY LINES.

T-9454