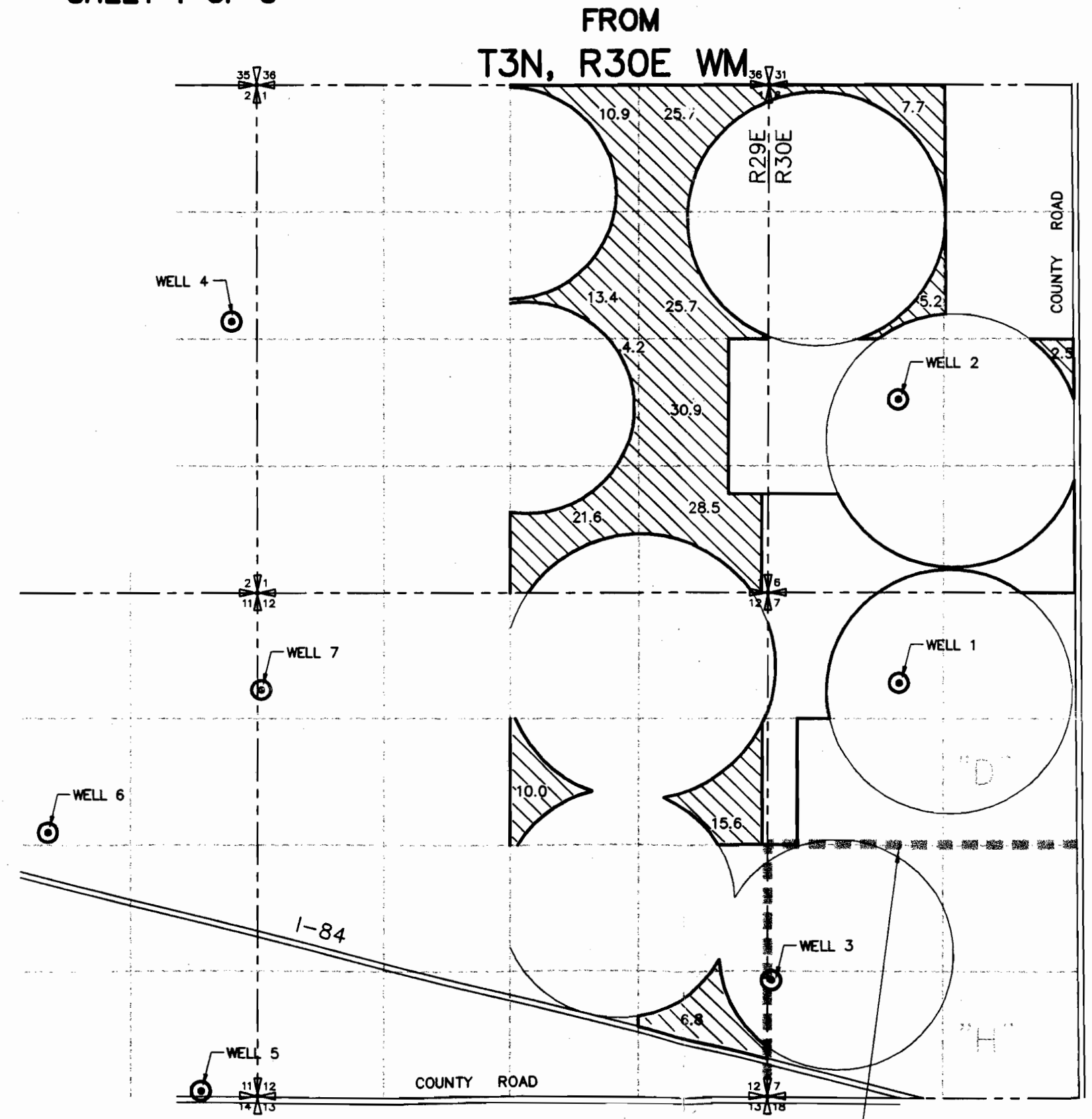
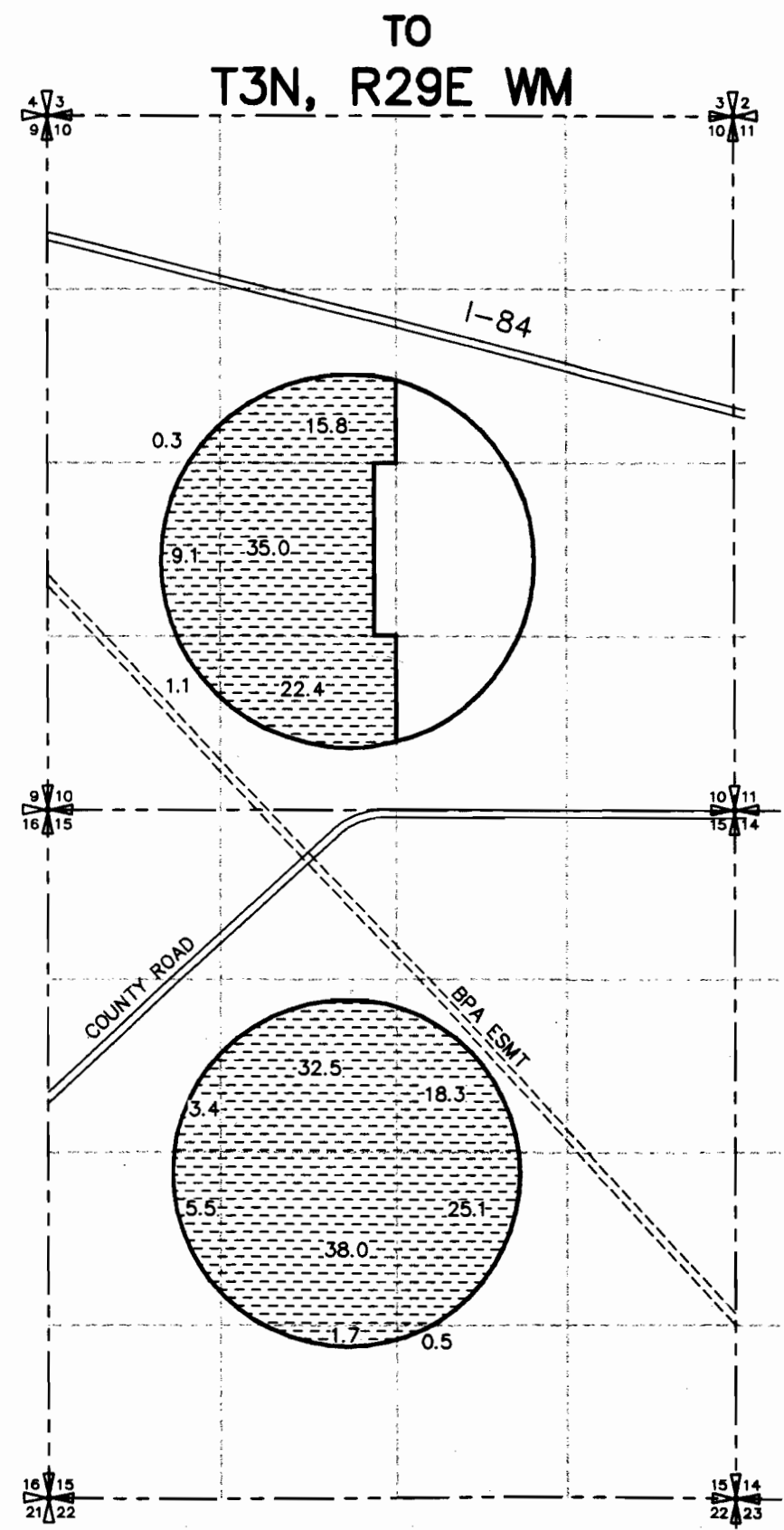


REC'D MAR 9 7 2003

# T3N, R29E & R30E, WM

APPLICATION MAP FOR AMENDED TRANSFER OF WATER RIGHT T-6787  
IN NAME OF RICK L. HALE, DOUGLAS L. HALE & ROBERT C. HALE  
SHEET 1 OF 3



AUTHORIZED POINTS OF APPROPRIATION:

SUB-AREA BOUNDARY STAGE GULCH CRITICAL GROUND

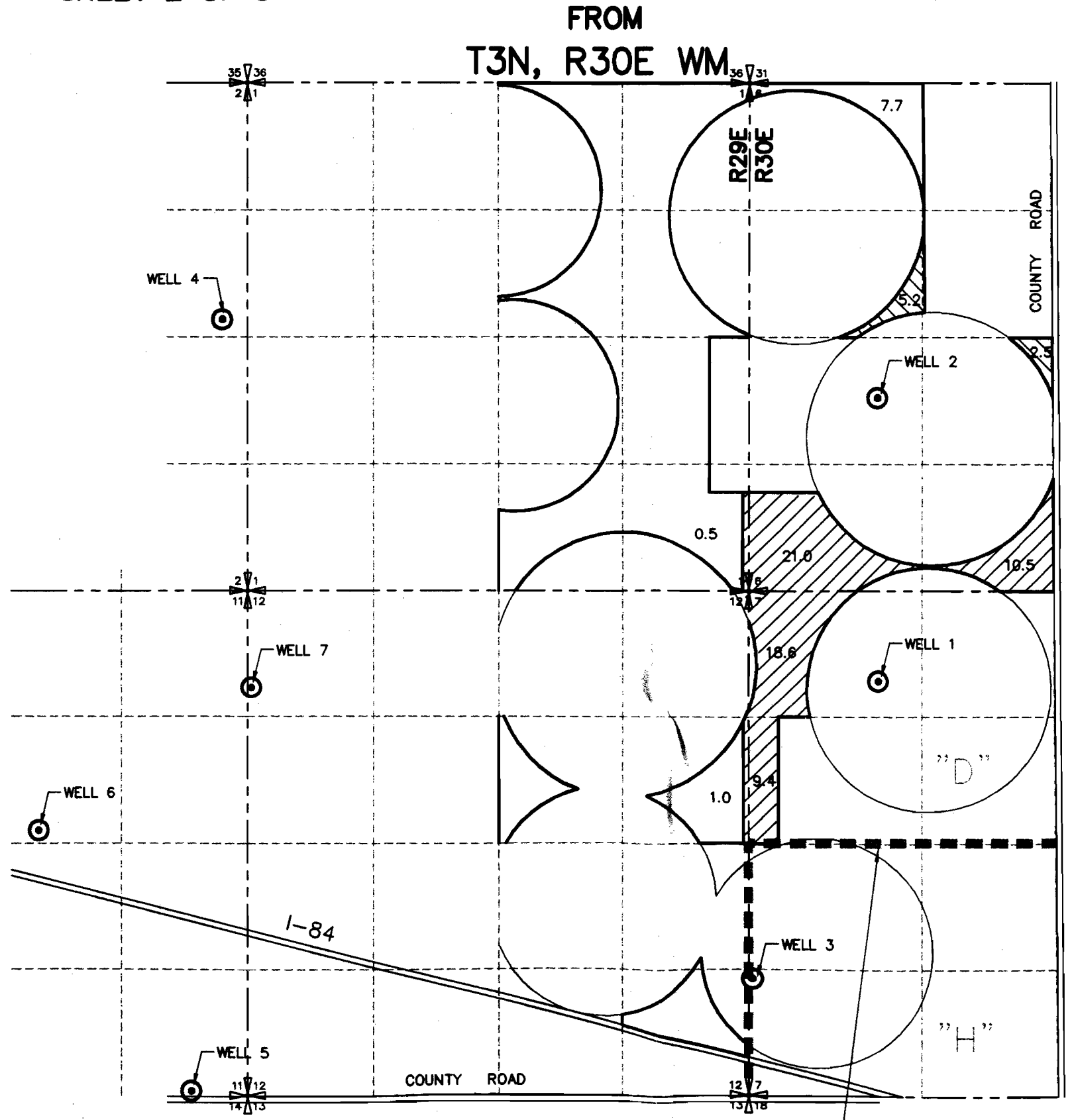
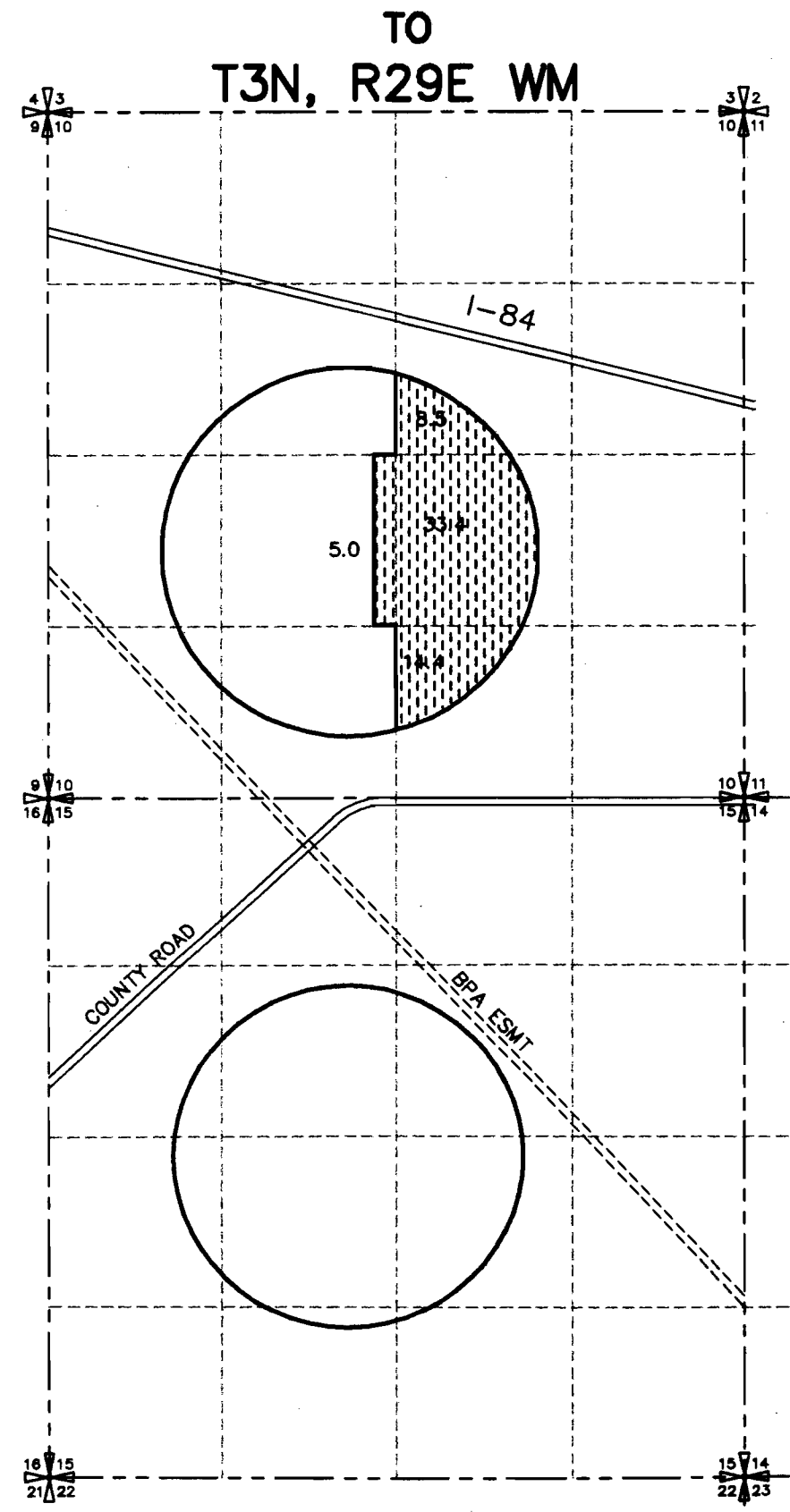
REC'D MAR 07 2003

# T3N, R29E & R30E, WM

## APPLICATION MAP FOR AMENDED TRANSFER OF WATER RIGHT T-6787

### IN NAME OF RICK L. HALE, DOUGLAS L. HALE & ROBERT C. HALE

#### SHEET 2 OF 3



AUTHORIZED POINTS OF APPROPRIATION:  
WELL 1 LOCATED 4340' N & 1830' W FROM S~4 CORNER SECTION 7

WELL 4 LOCATED 180' N & 260' W FROM E~4 CORNER SECTION 2

SUB-AREA BOUNDARY STAGE  
GULCH CRITICAL GROUND

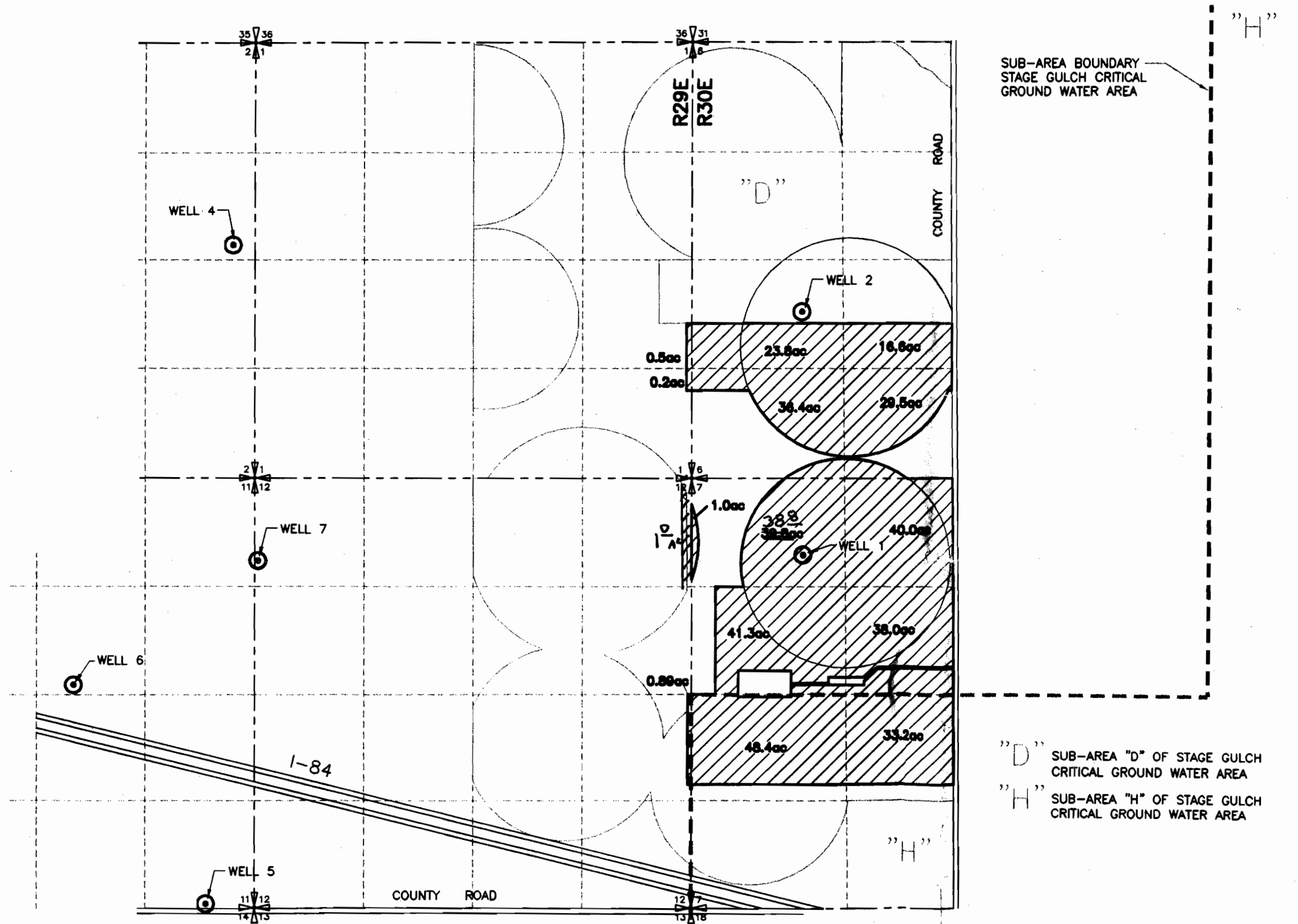
REC'D MAR 07 2003

# T3N, R29E & R30E, WM

## APPLICATION MAP FOR AMMENDED TRANSFER T-6787 FOR PERMIT G-2415

### RICK L. HALE, DOUGLAS L. HALE & ROBERT C. HALE

#### SHEET 3 OF 3



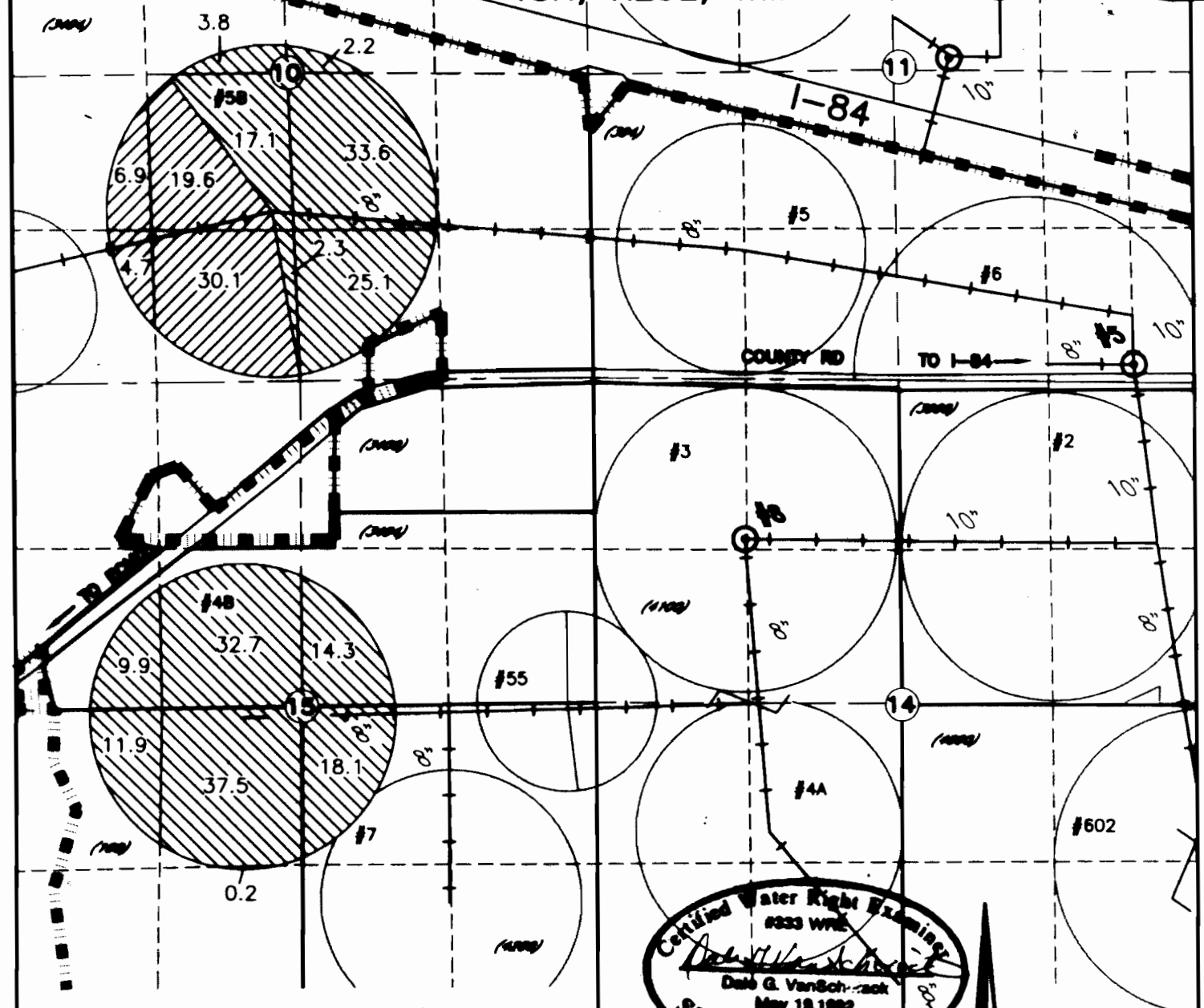
SUB-AREA BOUNDARY  
STAGE GULCH CRITICAL  
GROUND WATER AREA

"D" SUB-AREA "D" OF STAGE GULCH  
CRITICAL GROUND WATER AREA

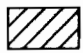
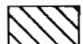
"H" SUB-AREA "H" OF STAGE GULCH  
CRITICAL GROUND WATER AREA

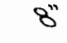



FINAL PROOF SURVEY  
 UNDER T-6787 ECHO IRRIGATION  
 DISTRICT FOR  
 RICK & DOUGLAS HALE  
 T3N, R29E, WM

RECEIVED  
 NOV 26 2004  
 WATER RESOURCES DEPT  
 SALEM, OREGON

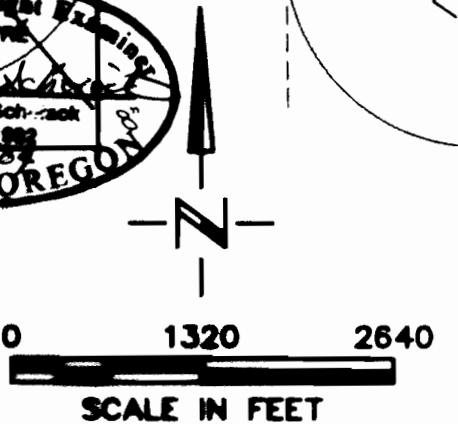


ADJACENT POINT OF APPROPRIATION  
 HERE SHOWN AS  
 LOCATED 80% + 200'W FROM SE COR, SEC 11

- AREA OF USE
-  61.3 Ac PRIMARY PERMIT G-2415  
 SUPPLEMENTAL PERMIT G-4969
  -  208.7 Ac PRIMARY PERMIT G-4969

- LEGEND
-  8" PIPE SIZE
  -  #7 CIRCLE NUMBER
  -  HALE'S WELL #5
  -  TAX LOT

Certified Water Right Examiner  
 #333 WRB  
*Dale G. VanSchoyack*  
 Dale G. VanSchoyack  
 May 18, 1999  
 1927/82  
 STATE OF OREGON



NOTE: THE PURPOSE OF THIS MAP IS TO IDENTIFY THE APPROXIMATE LOCATION OF THE WATER RIGHT. IT IS NOT INTENDED TO PROVIDE INFORMATION RELATIVE TO THE LOCATION OF PROPERTY OWNERSHIP BOUNDARY LINES.

 Consultants, Inc.  
 A Tetra Tech Company

DRAWING: H:\CAD\AG\3522\032\3522032FP6787.dwg  
 PRINTED BY: RogerW on 10/26/04 06:46 AM