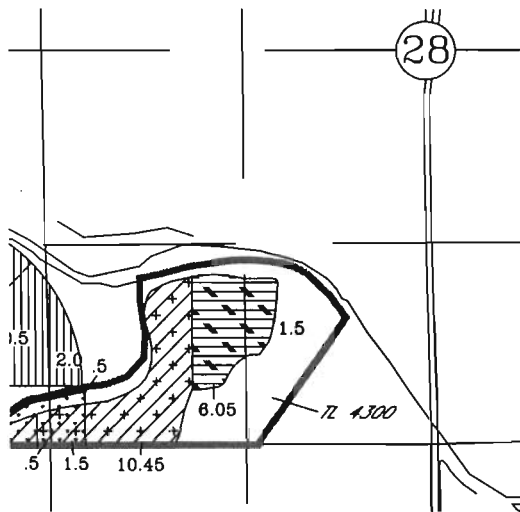
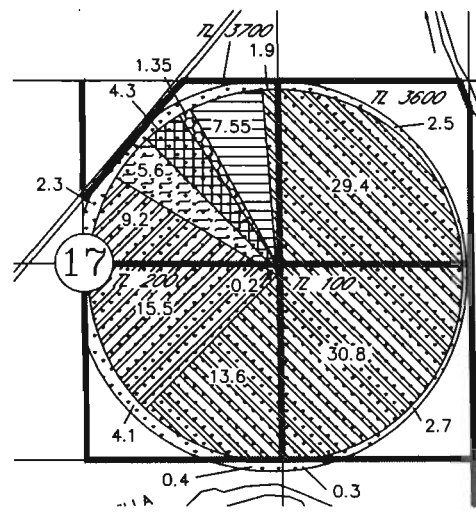


2009 WESTLAND IRRIGATION DISTRICT Temporary Transfer, Mueller to Quick March 14, 1903, Cert. 76715 Primary; & July 1, 1924 Cert. 79439 Supplemental.

T4N., R28E., W.M.



T4N., R28E., W.M.



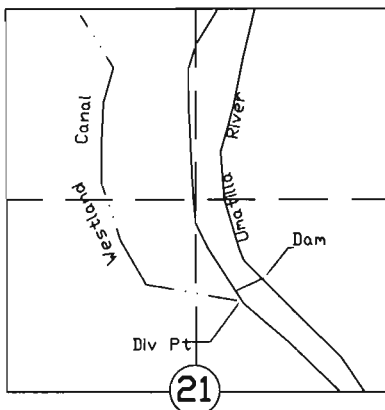
FROM GROUNDS

- FROM: 76715 & 79439 - 7.55 ac.
Cert. 76749 not used this season
- Cert. 76715 & 79439 not involved
with this transfer
- Cert. 38388 not involved
with this transfer
- Cert. 76749 not involved
with this transfer
- Cert. 76799 not involved
with this transfer

TO GROUNDS

- TO: 76715 & 79439 7.55 acres
Existing 82990 to become supplemental to
incoming Prim. 76715 for this season only
- 76717, 79439 & 82990 not
involved with this transfer
- 76718, 79439 & 82990 not
involved with this transfer
- 76799 & 82990 not
involved with this transfer
- 82990 not involved
with this transfer
- 76717 & 79439 from 2006 permanent transfer,
not involved with this transfer - 4.3 acres
- 76799 from 2006 permanent transfer,
not involved with this transfer - 1.35 acres

T3N., R 29E., W.M.

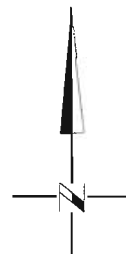


T 10840

RECEIVED

APR 03 2009

WATER RESOURCES DEPT
SALEM, OREGON



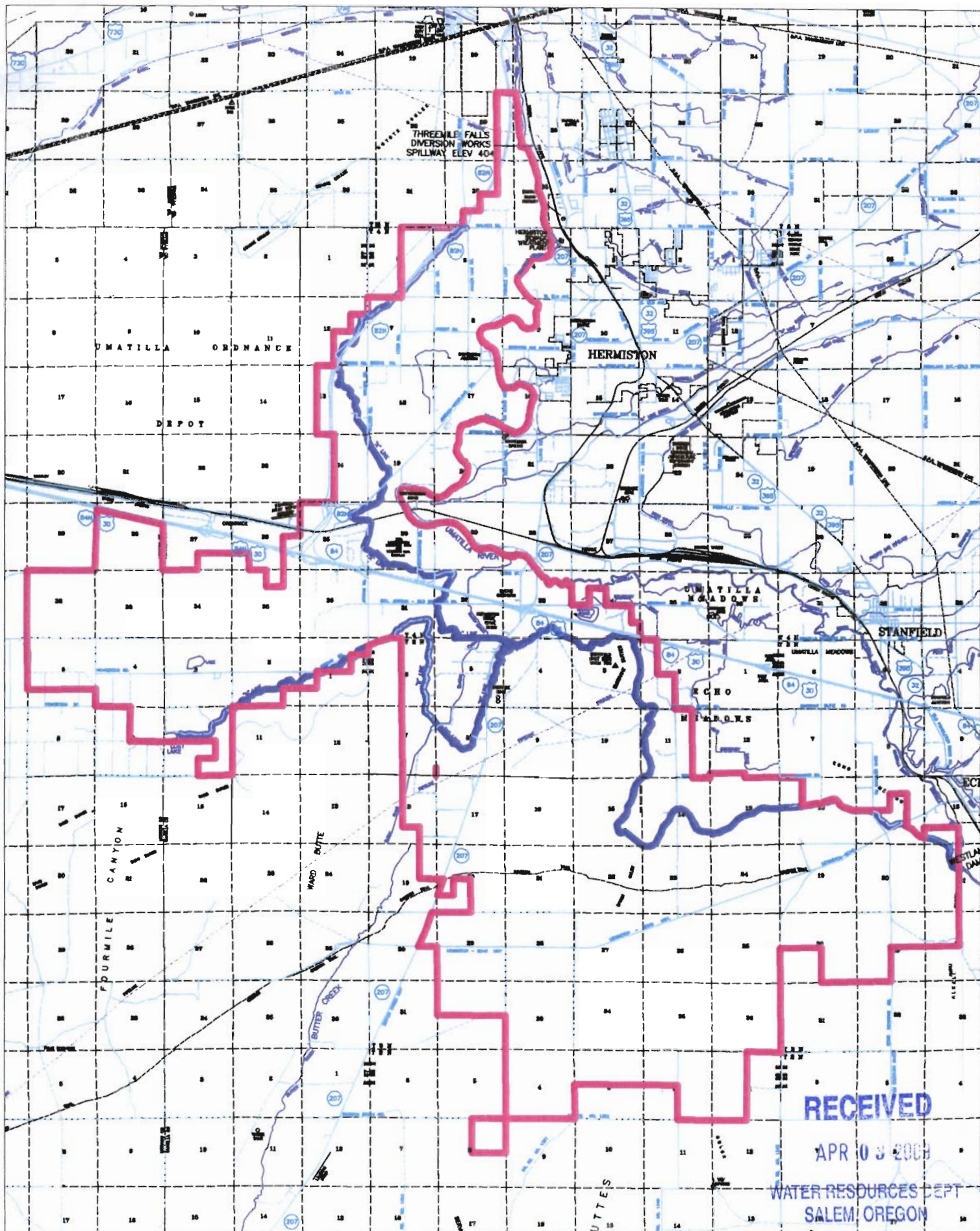
0 1320 2640



SCALE IN FEET

NOTE: THE PURPOSE OF THIS MAP IS TO IDENTIFY THE APPROXIMATE LOCATION OF THE WATER RIGHT. IT IS NOT INTENDED TO PROVIDE INFORMATION RELATIVE TO THE LOCATION OF PROPERTY OWNERSHIP BOUNDARY LINES.

Westland Irrigation District Boundary



T 10840