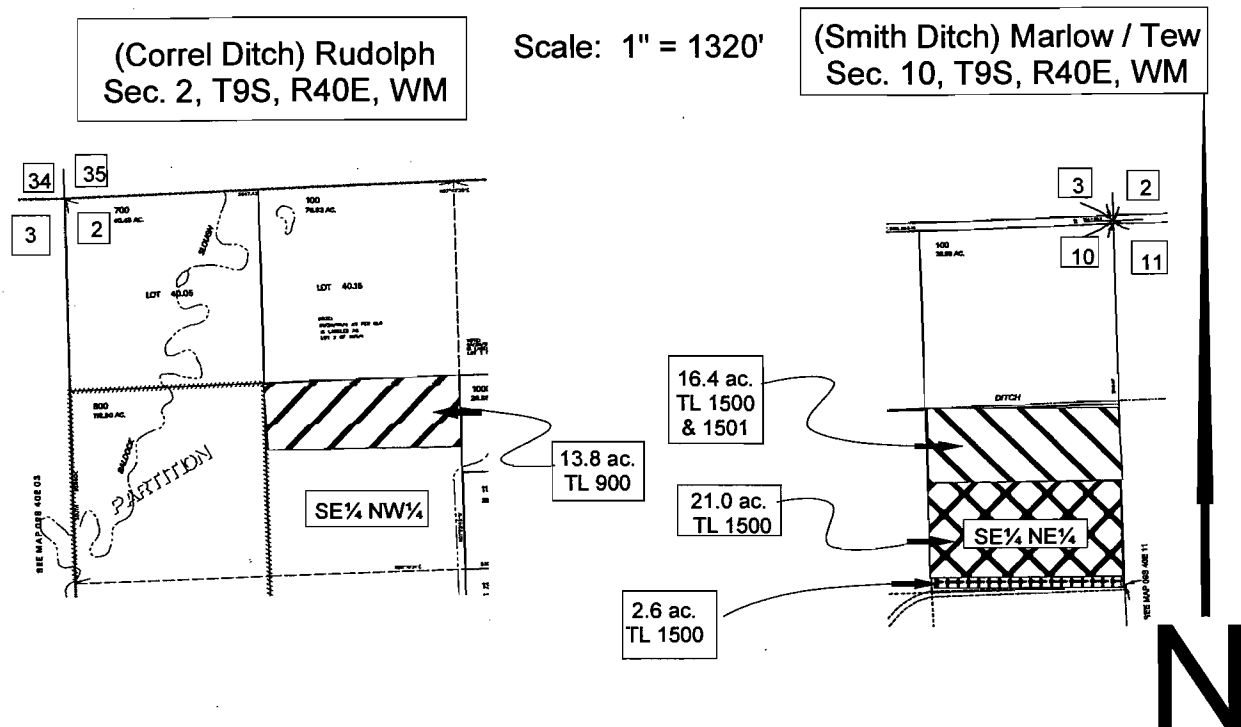


Marlow / Tew, Rudolph & Board POU and POD Transfer **"FROM LAND"**.



LEGEND:

	13.8 Ac.: Cert. 73587 (Pri) & 73999 (Sup)
	16.4 Ac.: Cert. 80460 (Pri) & 73999 (Sup)
	21.0 Ac.: Cert. 80460 (Pri) & 73610 (Sup)
	2.6 Ac.: Cert. 80460 (Pri)

ACRES PER CERTIFICATE LISTING:

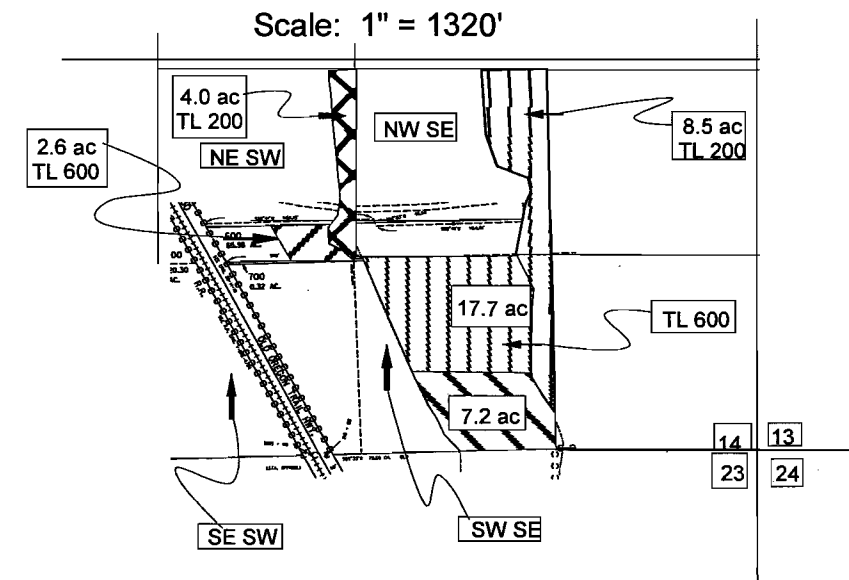
Certificate No.	73610		73587		73999		80460	
	from	to	from	to	from	to	from	to
Listed Acres	21.00	7.20	13.80	4.00	13.80	4.00	21.00	26.20
Listed Acres		13.80		2.60	16.40	26.20	16.40	13.80
Listed Acres				7.20			2.60	
Total Acres	21.00	21.00	13.80	13.80	30.20	30.20	40.00	40.00

T 10897

Marlow / Tew, Rudolph & Board POU and POD Transfer

TO LAND

(Settlers Slough Ditch) Board, Section 14, T. 8 S., R. 39 E., W. M.



(Correll Ditch) Rudolph Section 2, T. 9 S., R. 40 E., W.M.

RECEIVED

JUN 05 2009

WATER RESOURCES DEPT
SALEM, OREGON

LEGEND:

	4.0 Ac.: Cert. 73587 (pri) & 73999 (sup)
	2.6 Ac.: Cert. 73587 (pri)
	7.2 Ac.: Cert. 73587 (pri) & 73610 (sup)
	26.2 Ac.: Cert. 80460 (pri) & 73999 (sup)
	13.8 Ac.: Cert. 80460 (pri) & 73610 (sup)

