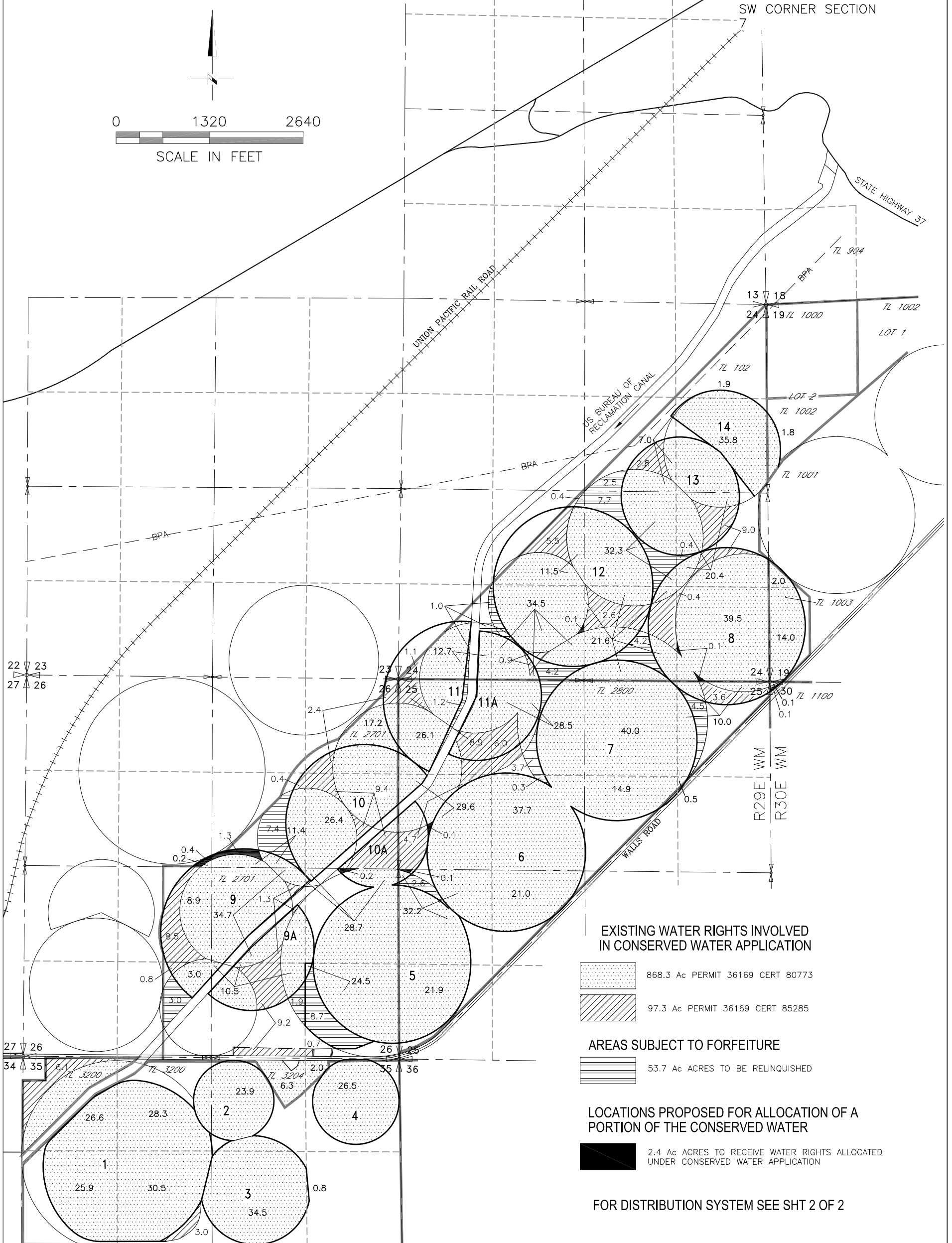
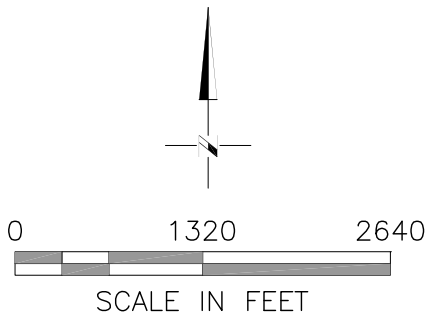


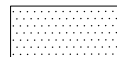
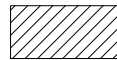
EXHIBIT B
MAP FOR APPLICATION FOR ALLOCATION
AND USE OF CONSERVED WATER
JB LAND, LLC - SUPERIOR FARMS
SHEET 1 OF 2
T5N, R 29E & R30E, WM

RIVER STATION
 1650hp (900hp,
 500hp & 250hp)

POINT OF DIVERSION
 LOCATED 460' N AND
 1680' E FROM THE
 SW CORNER SECTION




**EXISTING WATER RIGHTS INVOLVED
 IN CONSERVED WATER APPLICATION**

-  868.3 Ac PERMIT 36169 CERT 80773
-  97.3 Ac PERMIT 36169 CERT 85285

AREAS SUBJECT TO FORFEITURE

-  53.7 Ac ACRES TO BE RELINQUISHED

**LOCATIONS PROPOSED FOR ALLOCATION OF A
 PORTION OF THE CONSERVED WATER**

-  2.4 Ac ACRES TO RECEIVE WATER RIGHTS ALLOCATED UNDER CONSERVED WATER APPLICATION

FOR DISTRIBUTION SYSTEM SEE SHT 2 OF 2

NOTE:
 THE PURPOSE OF THIS MAP IS TO IDENTIFY THE APPROXIMATE LOCATION
 OF THE WATER RIGHT. IT IS NOT INTENDED TO PROVIDE INFORMATION
 RELATIVE TO THE LOCATION OF PROPERTY OWNERSHIP BOUNDARY LINES.