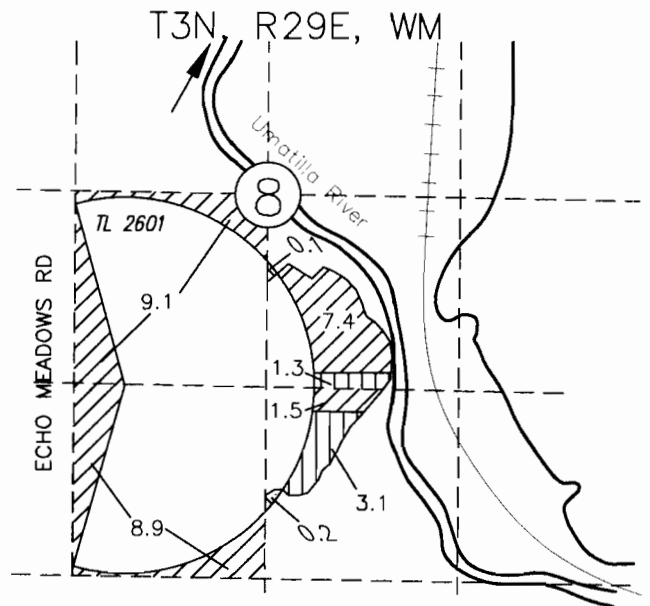
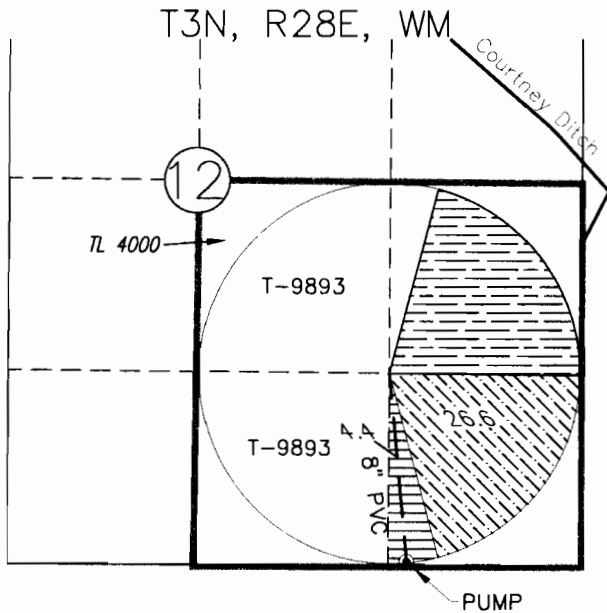
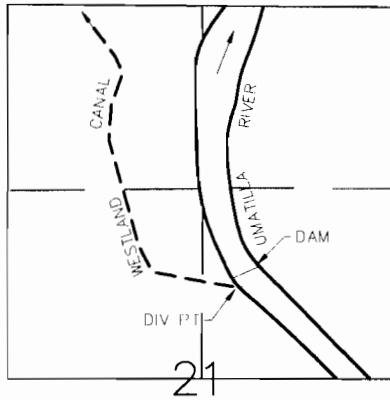
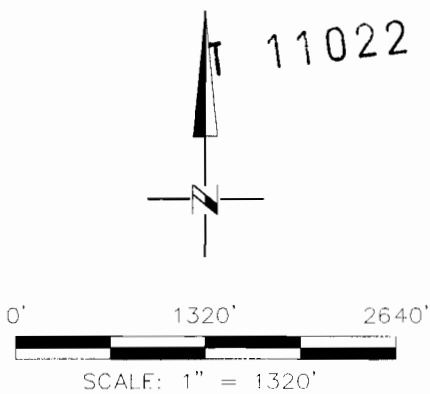


# 2010 DAVID CORREA (CORREA TO CORREA) 5 YEAR TEMPORARY TRANSFER MAP 1 OF 2 UMATILLA COUNTY

FROM		TO
	26.9	
UMATILLA RIVER DECREE VOL 3 PAGE 239 IN THE NAME OF B.F. McCULLOUGH		
	4.4	
UMATILLA RIVER DECREE VOL 15 PAGE 432 IN THE NAME OF FRANK CORREA SR		
	2010 BAREMORE TO CORREA 5YR TEMPORARY TRANSFER	



T.3N., R.29E., W.M.



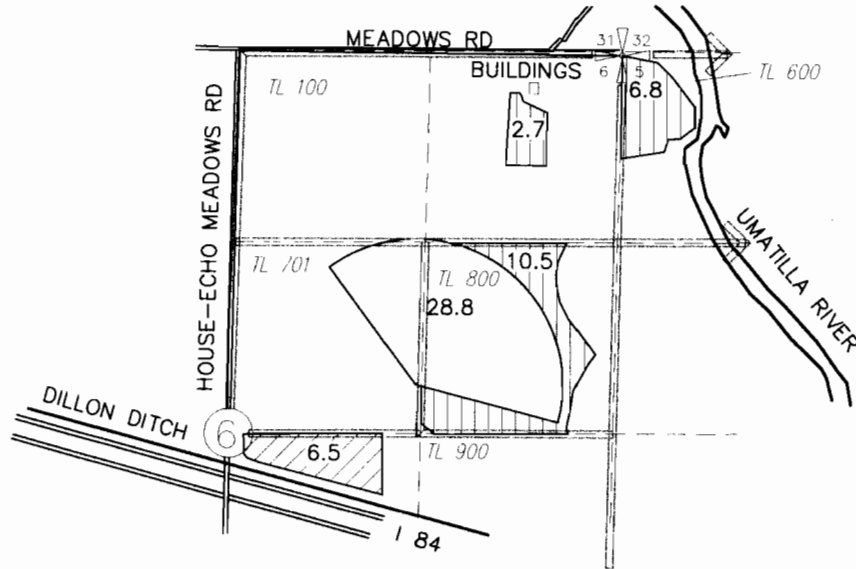
DIV PT LCT N.76°45'56"E. 2913.19' FROM W1/4 COR SEC 21

**RECEIVED**  
FEB 24 2010  
WATER RESOURCES DEPT  
SALEM, OREGON

**NOTE:**  
THE PURPOSE OF THIS MAP IS TO IDENTIFY THE APPROXIMATE LOCATION OF THE WATER RIGHT. IT IS NOT INTENDED TO PROVIDE INFORMATION RELATIVE TO THE LOCATION OF PROPERTY OWNERSHIP BOUNDARY LINES.

# DAVID CORREA (BAREMORE TO CORREA)

MAP 2 OF 2  
UMATILLA COUNTY  
T3N, R29E, WM



**RECEIVED**

FEB 24 2010

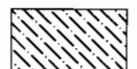
WATER RESOURCES DEPT  
SALEM, OREGON

FROM



6.5 UMATILLA RIVER DECREE VOL 15  
PAGE 432 IN THE NAME OF  
MANDENHALL, 01/09/1900

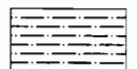
TO



6.5



20.0 UMATILLA RIVER DECREE VOL 3  
PAGE 239 IN THE NAME OF  
MANDENHALL, 01/09/1900

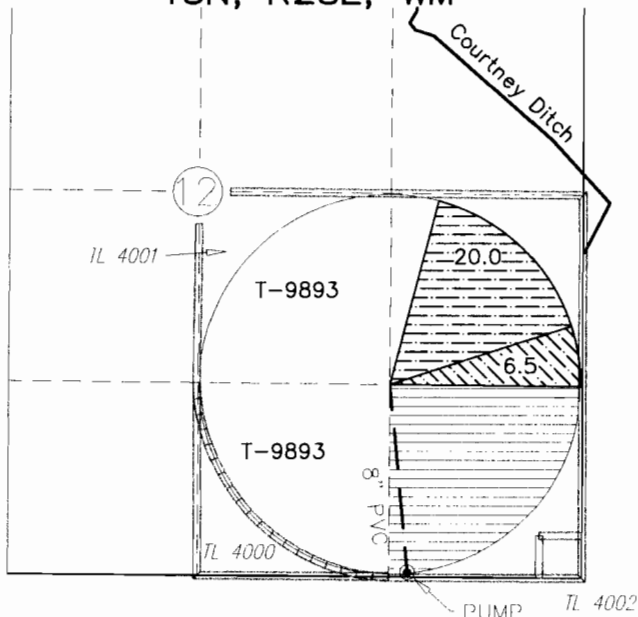


20.0

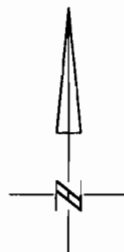


2010 CORREA TO CORREA 5YR  
TEMPORARY TRANSFER

T3N, R28E, WM



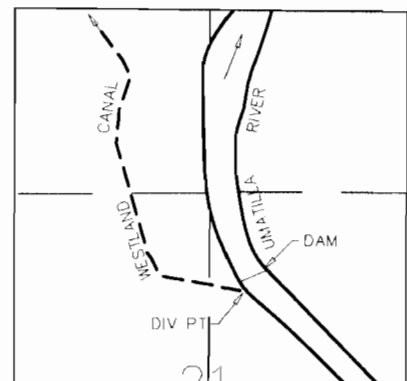
T 11022



0' 1320' 2640'

SCALE: 1" = 1320'

T.3N., R.29E., W.M.



DIV PT LCT N.76°45'56"E. 2913.19' FROM W.1/4 COR. SEC 21

NOTE:  
THE PURPOSE OF THIS MAP IS TO IDENTIFY THE APPROXIMATE LOCATION  
OF THE WATER RIGHT. IT IS NOT INTENDED TO PROVIDE INFORMATION  
RELATIVE TO THE LOCATION OF PROPERTY OWNERSHIP BOUNDARY LINES.