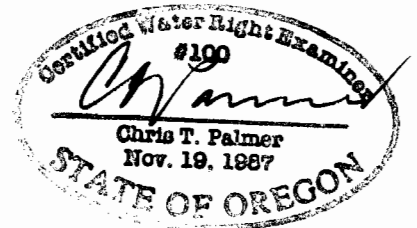
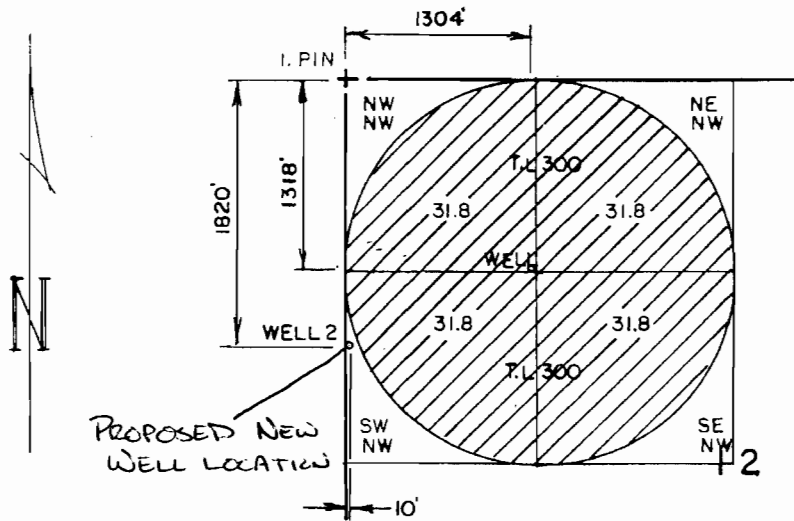


T 26 S north of Malheur Lake, R 30 E, WM



RENEW 01-01-2011

I hereby certify that this is an exact copy of the original plat.

Chris T. Palmer

01-26-2010

NOTE: WELL 2 IS A NEW WELL - CURRENT IRRIGATION UNDER CERT. 76299.

THE PURPOSE OF THIS MAP IS TO IDENTIFY THE LOCATION OF THE WATER RIGHT. IT IS NOT INTENDED TO PROVIDE INFORMATION RELATIVE TO THE LOCATION OF PROPERTY OWNERSHIP

RECEIVED

MAR 15 2010

WATER RESOURCES DEPT
SALEM, OREGON

RECEIVED

DEC 29 2009

WATER RESOURCES DEPT
SALEM, OREGON

<p>T 11033</p> <p>RENEW 1-1-2011</p>	<p>GORDON BLOOMQUIST</p> <p>WATER RIGHT TRANSFER APPLICATION</p>		
	<p>Scale: 4" = 1 MILE</p>	<p>Date: AUG 2009</p>	<p>Job: 2559</p>
	<p>Dsn:</p>	<p>M.A. PALMER & SONS, INC. ENGINEERING & SURVEYING 711 Ponderosa Village • Box 61 Burns, Oregon 97720</p>	<p>Sht. No. ,</p>
	<p>Dm: CHRIS</p>		<p>of 1</p>
<p>Ckd:</p>			