




2010 BAKER PRODUCE SOUTH, INC
 TEMPORARY TRANSFER APPLICATION
 TO MAP
 INVOLVING CERTIFICATES 68536,
 61848 & 61849
 T2&3N, R26E WM
 MORROW CO

TO

-  303.1 AC PRIMARY COLUMBIA RIVER CERT 68536
 -  577.8 AC PRIMARY WELLS #1 & #3 CERT 61848
 SUPPLEMENTAL COLUMBIA RIVER CERT 68536
 SUPPLEMENTAL WELL #2 & #3 CERT 61849
 -  231.3 AC PRIMARY WELLS #1 & #3 CERT 61848
 SUPPLEMENTAL WELL #2 & #3 CERT 61849
- 809.1 AC
- 1003.3 AC

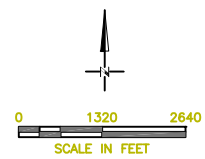
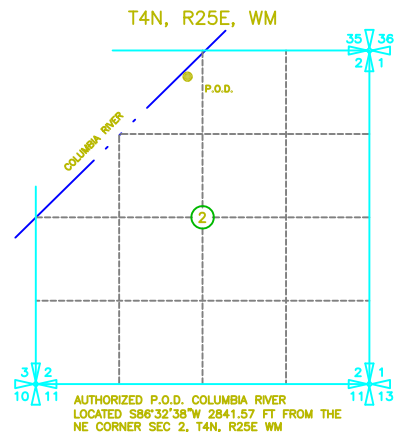
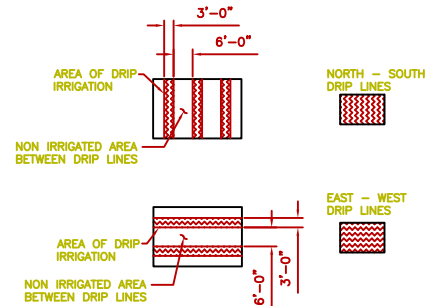
AUTHORIZED P.O.D.
 LOCATED S86°32'38"W 2841.57 FT FROM THE
 NE CORNER SEC 2, T4N, R25E WM

AUTHORIZED P.O.A.
 WELL #1 LOCATED 2470'N AND 2910'E FROM
 THE SW COR SEC 20 T2N, R26E, WM

WELL #2 LOCATED 100'S AND 1350'W FROM
 THE NE COR SEC 17 T2N, R26E, WM

WELL #3 LOCATED 30'S AND 30'W FROM THE
 E 1/4 COR SEC 18 T2N, R26E, WM

DRIP LINE DETAIL



NOTE:
 THE PURPOSE OF THIS MAP IS TO IDENTIFY THE APPROXIMATE LOCATION
 OF THE WATER RIGHT. IT IS NOT INTENDED TO PROVIDE INFORMATION
 RELATIVE TO THE LOCATION OF PROPERTY OWNERSHIP BOUNDARY LINES.