

RECEIVED

CW-89

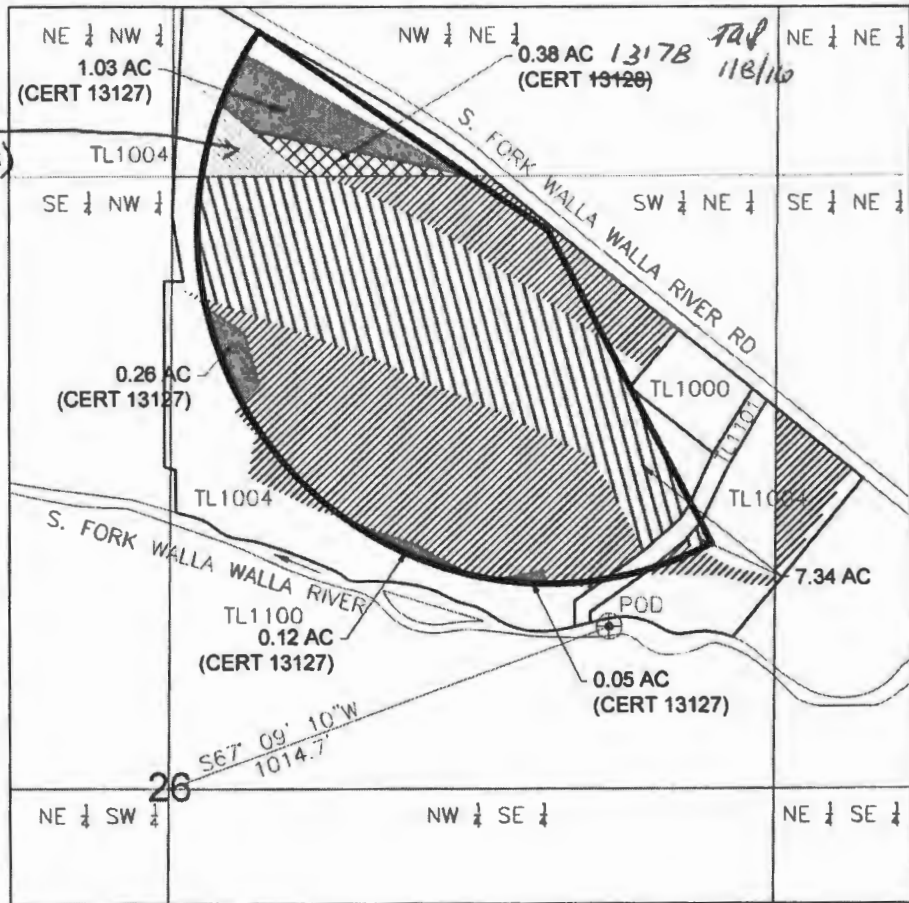
JAN - 8 2015

WATER RESOURCES DEPT  
SALEM, OREGON



SCALE IN FEET  
1" = 400'

S26, T5N, R36E, W.M.



**LEGEND**

- CERTIFICATE 32595
- CERTIFICATE 13178 (UNCHANGED 0.42 AC)
- CERTIFICATE 13127 (UNCHANGED 7.34 AC)
- CERTIFICATE 13178 PROPOSED "TO" LANDS
- CERTIFICATE 13127 PROPOSED "TO" LANDS
- TAX LOT LINE
- SECTION LINE
- 1/4 1/4 LINE
- POD

**NOTES:**

1. THIS MAP WAS CREATED IN ACAD BY OVERLAYING THE EXISTING WATER RIGHTS MAP FOR CERTIFICATE 13127, OBTAINED FROM WRD'S WRIS WEBSITE, WITH UMATILLA COUNTY TAX LOT MAP 5N 36 26, OBTAINED FROM THE ORMAP WEBSITE, AND ADJUSTING SLIGHTLY TO PROVIDE A "BEST FIT". THE CENTER OF THE IRRIGATION PIVOT WAS LOCATED USING A GARMIN ETREX GPS, ACCURATE TO ± 12 HORIZONTAL FEET. INSERTION OF THE GPS LOCATION INTO THIS MAP REQUIRED ADDITIONAL MANIPULATION.
2. THE PURPOSE OF THIS MAP IS TO IDENTIFY THE LOCATION OF THE WATER RIGHT. IT IS NOT INTENDED TO PROVIDE INFORMATION RELATIVE TO THE LOCATION OF THE PROPERTY OWNERSHIP BOUNDARY LINES.

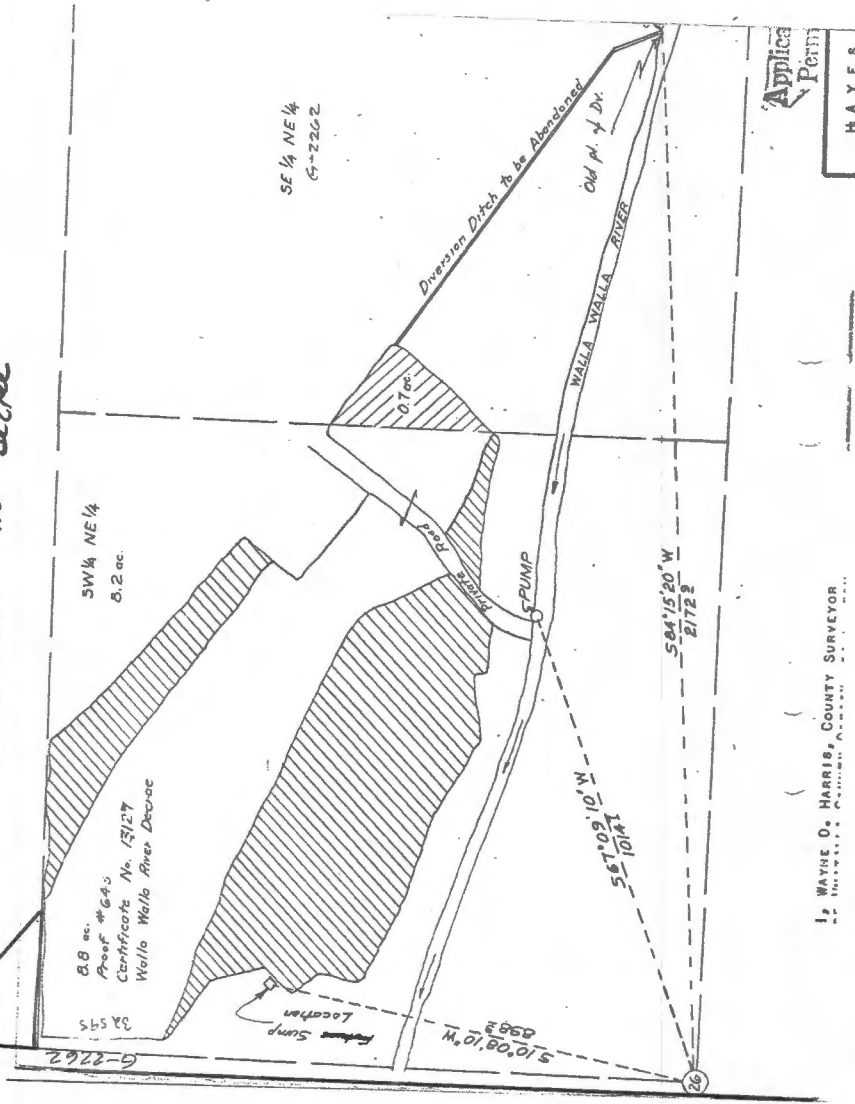
**ALLOCATION OF CONSERVED WATER APPLICATION**  
**CERTIFICATES 13178 AND 13127**  
**PROPOSED PLACE OF USE BEFORE IMPLEMENTING CONSERVATION MEASURES**  
**UMATILLA COUNTY, OREGON**

CREATED BY: TAS  
 DRAWN BY: DJR

**SPRECHER GROUP**  
 2445 NE DIVISION STREET, SUITE 300  
 BEND, OR 97703

SG PROJECT # 4225  
 DECEMBER 2015 *TAS*  
 January 8, 2016

0.8A Certificate 13178 (Added by T. Sprecher, 12/24/15)  
 Walla Walla River Decree



Final proof map, from WRD's WRIS site, for certificate 32595

RECEIVED BY OWRD

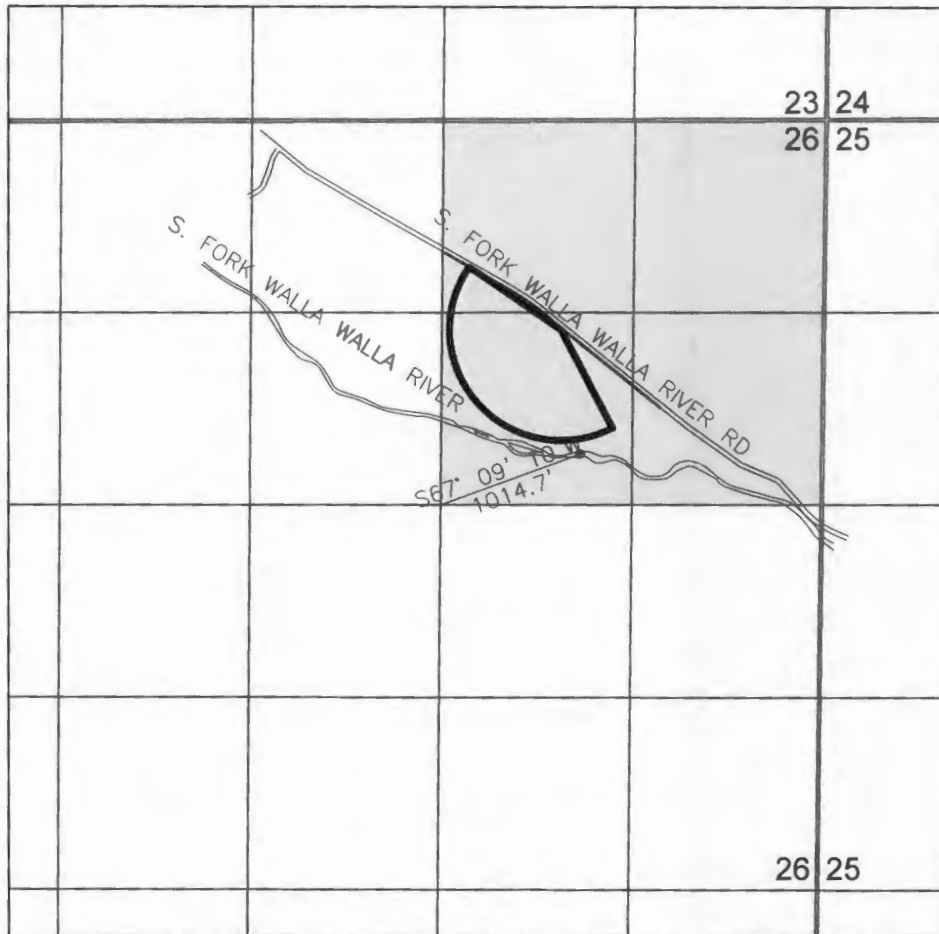
JAN 04 2016

SALEM, OR

S26, T5N, R36E, W.M.



SCALE IN FEET  
1" = 1,320'



**LEGEND**

- SECTION LINE
- ¼ ¼ LINE
- PROPOSED AREA OF USE FOR CONSERVED WATER

RECEIVED BY OWRD

JAN 04 2016

SALEM, OR

- NOTES:**
1. THIS MAP WAS CREATED IN ACAD BY OVERLAYING THE EXISTING WATER RIGHTS MAP FOR CERTIFICATE 13127, OBTAINED FROM WRD'S WRIS WEBSITE, WITH UMATILLA COUNTY TAX LOT MAP 5N 36 26, OBTAINED FROM THE ORMAP WEBSITE, AND ADJUSTING SLIGHTLY TO PROVIDE A "BEST FIT". THE CENTER OF THE IRRIGATION PIVOT WAS LOCATED USING A GARMIN ETREX GPS, ACCURATE TO ± 12 HORIZONTAL FEET. INSERTION OF THE GPS LOCATION INTO THIS MAP REQUIRED ADDITIONAL MANIPULATION.
  2. THE PURPOSE OF THIS MAP IS TO IDENTIFY THE LOCATION OF THE WATER RIGHT. IT IS NOT INTENDED TO PROVIDE INFORMATION RELATIVE TO THE LOCATION OF THE PROPERTY OWNERSHIP BOUNDARY LINES.

**ALLOCATION OF CONSERVED WATER APPLICATION  
CERTIFICATES 13178 AND 13127  
PROPOSED AREA OF USE FOR CONSERVED WATER  
UMATILLA COUNTY, OREGON**

CREATED BY: TAS  
DRAWN BY: DJR

**SPRECHER GROUP**  
2445 NE DIVISION STREET, SUITE 300  
BEND, OR 97703

SG PROJECT # 4225  
DECEMBER 2015