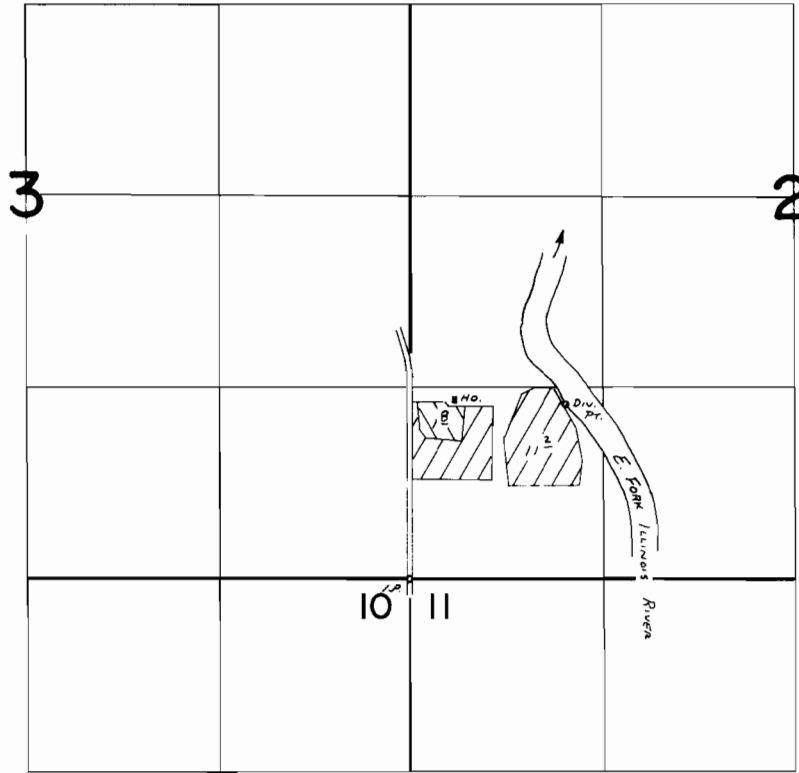


T.40S.,R.8W.,W.M.



DIV. PT: 1190' N AND 1070' E FROM SW COR. SEC 2

 - PRIORITY 1907
 - PRIORITY JAN. 30, 1920

FINAL PROOF SURVEY UNDER

Transfer No. H-193
Application No. Permit No.
IN NAME OF

DORIS MIRACLE

Surveyed MAY 3 1975, by L. T. H.