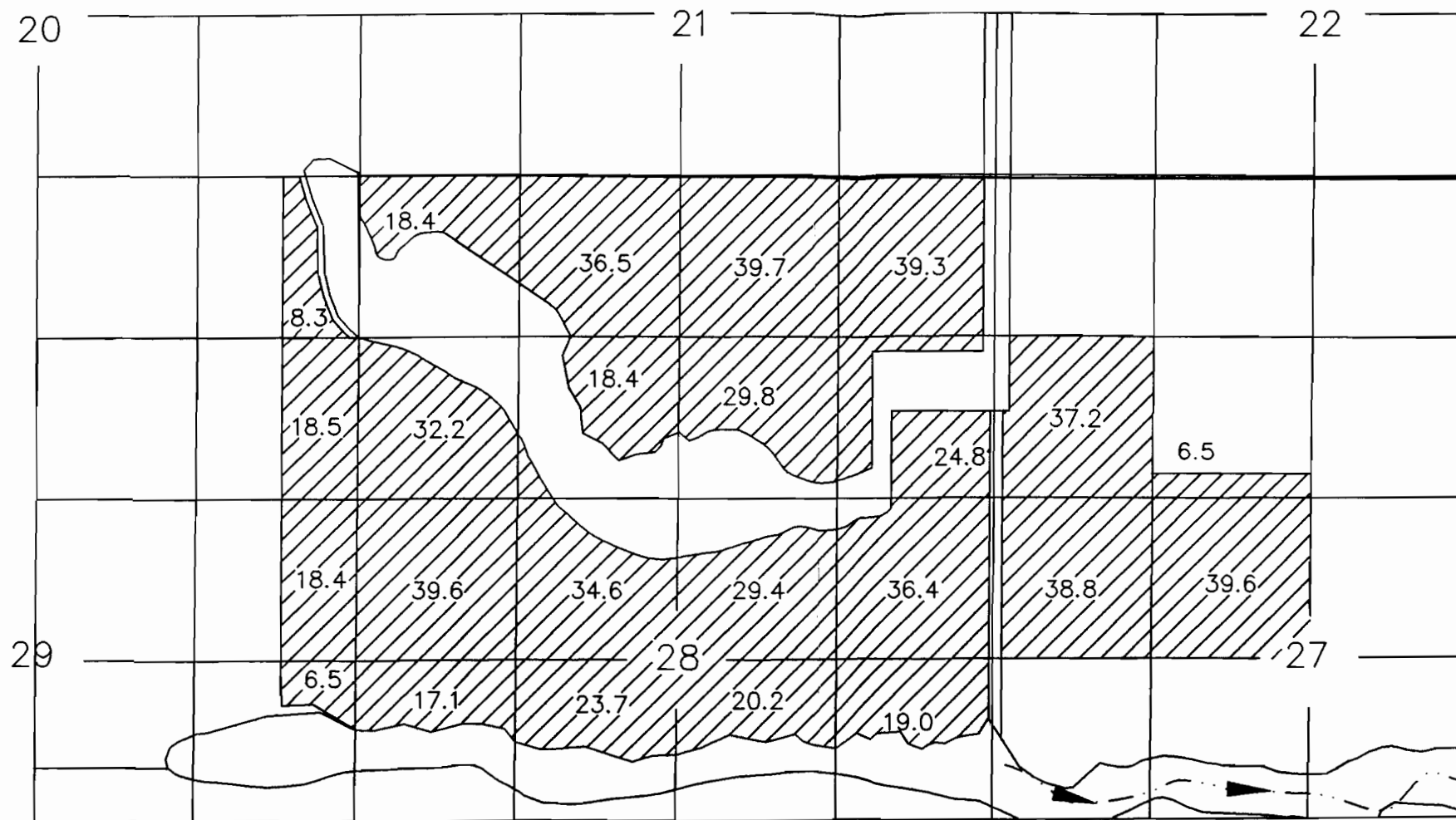




SCALE 1" = 1320'

T. 17 S., R. 46 E. W.M.



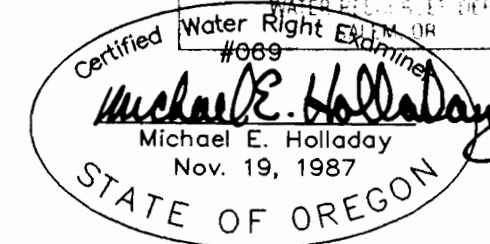
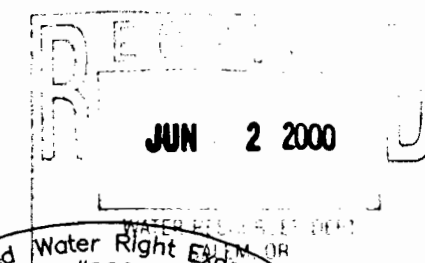
LARSON SKYLINE FARMS WATER RIGHT TRANSFER NO. 7625


CLAIM OF BENEFICIAL USE MAP

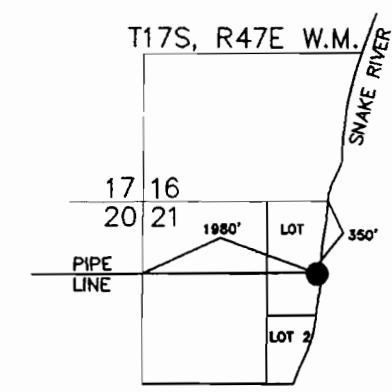
TOTAL ACREAGE 632.9

THIS MAP IS FOR THE PURPOSE OF IDENTIFYING THE LOCATION OF WATER RIGHTS ONLY AND IS NOT INTENDED TO PROVIDE LEGAL DIMENSIONS OR LOCATION OF PROPERTY LINES.

ACREAGE'S WERE CHECKED BY FIELD INSPECTION AND VERIFIED BY RECORD OF SURVEY, WATER RIGHTS EXHIBIT MAPS, AERIAL PHOTOS AND FARM SERVICE AGENCY DATA.



SNAKE RIVER
PERMIT NO. 33944 



POINT OF DIVERSION

REVISED 5/17/00
MAP 7625-B

PROJECT NO. 090298G