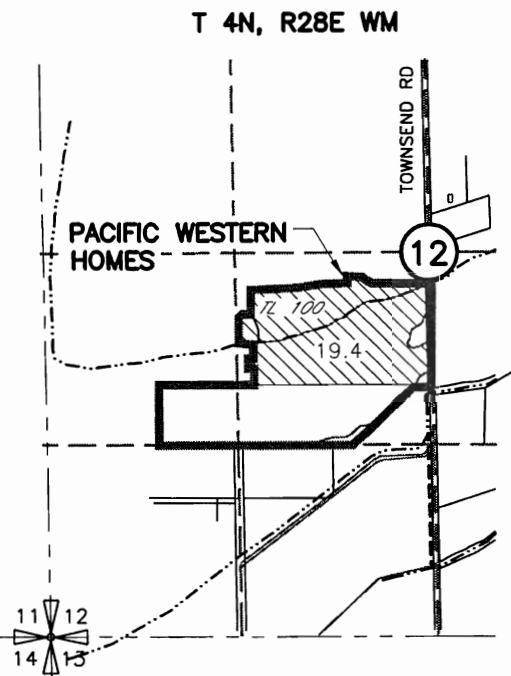
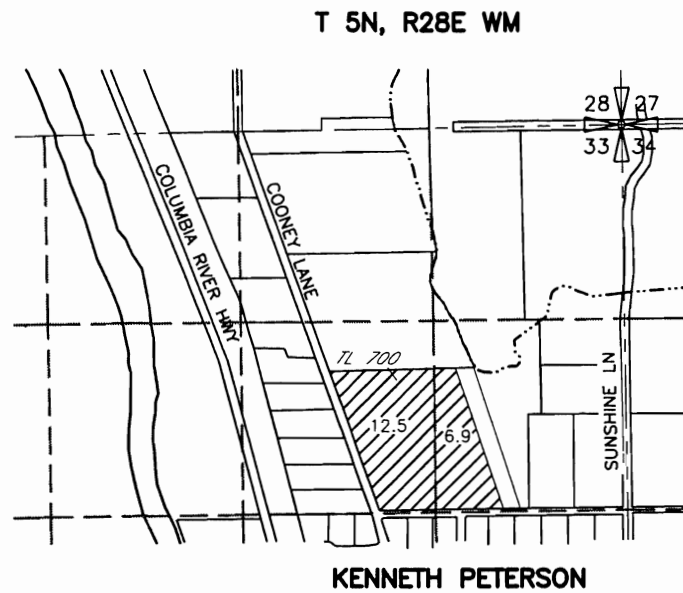


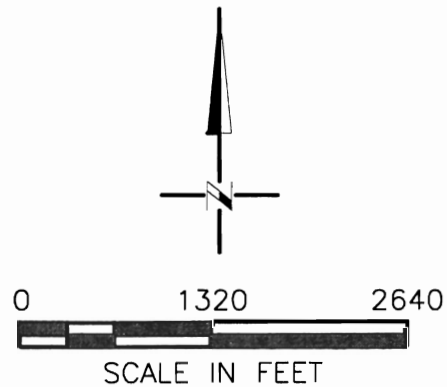
HERMISTION IRRIGATION DISTRICT  
 ORS 540:580 TRANSFER APPLICATION MAP  
 PACIFIC WESTERN HOMES TO K. PETERSON



RECEIVED

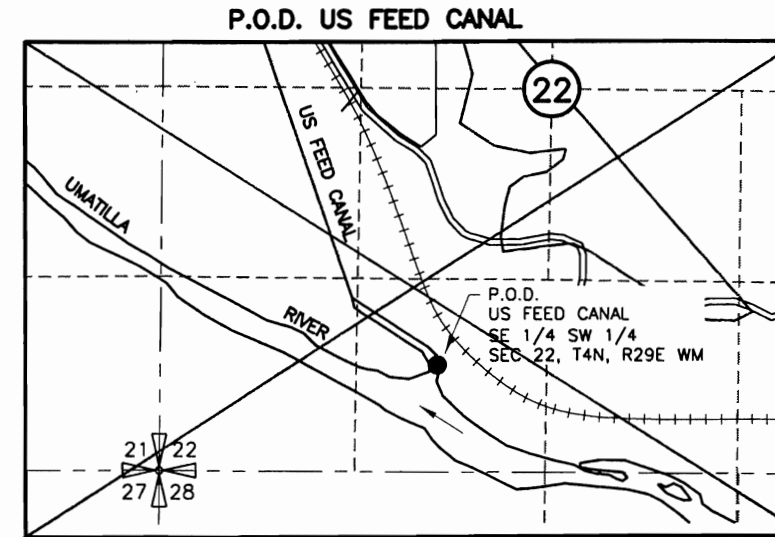
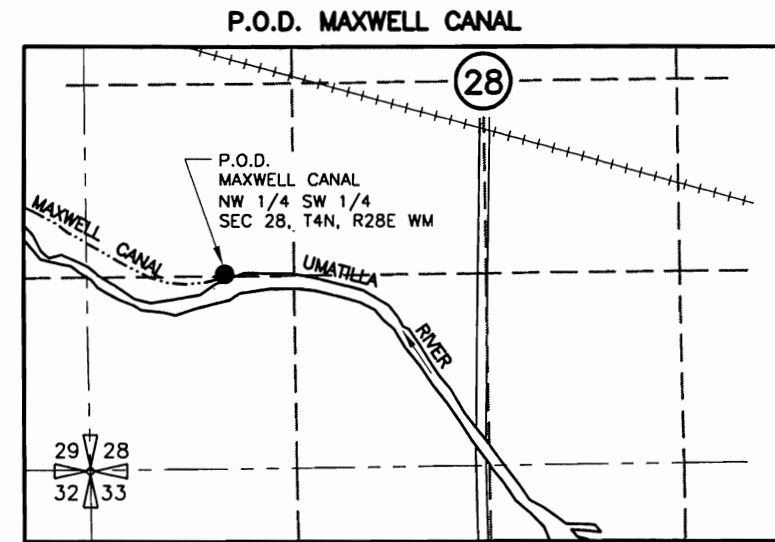
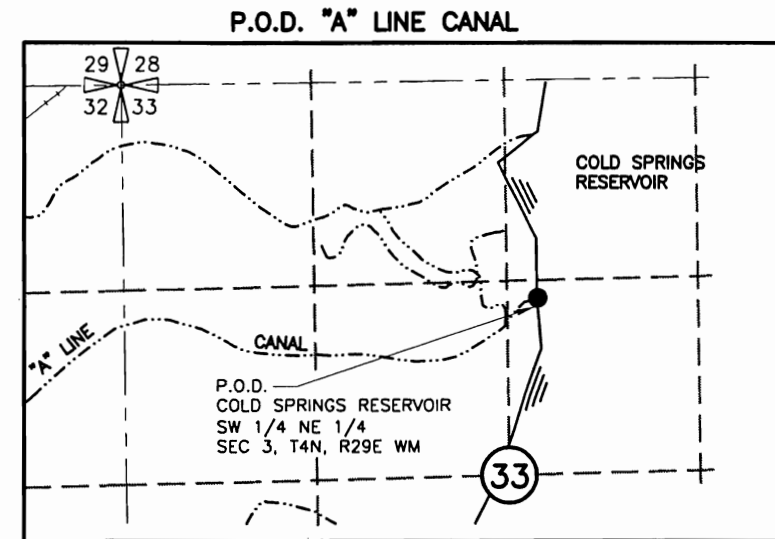
AUG 20 2003

WATER RESOURCES DEPT.  
 SALEM, OREGON



- 19.4ac FROM
- 19.4ac TO

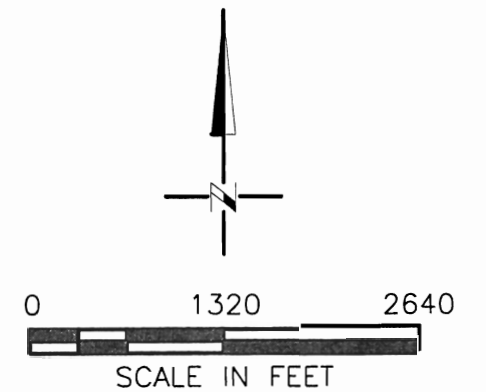
NOTE:  
 THE PURPOSE OF THIS MAP IS TO IDENTIFY THE APPROXIMATE LOCATION  
 OF THE WATER RIGHT. IT IS NOT INTENDED TO PROVIDE INFORMATION  
 RELATIVE TO THE LOCATION OF PROPERTY OWNERSHIP BOUNDARY LINES.



RECEIVED

AUG 20 2003

WATER RESOURCES DEPT.  
 SALEM, OREGON



NOTE:  
 THE PURPOSE OF THIS MAP IS TO IDENTIFY THE APPROXIMATE LOCATION  
 OF THE WATER RIGHT. IT IS NOT INTENDED TO PROVIDE INFORMATION  
 RELATIVE TO THE LOCATION OF PROPERTY OWNERSHIP BOUNDARY LINES.

T-9528