

**TUMALO IRRIGATION DISTRICT
WATER RIGHT TRANSFER**

FOR

CHUCK WOOLSEY

**LOCATED IN THE SW 1/4 OF THE NW 1/4
AND IN THE SE 1/4 OF THE NW 1/4**

OF SECTION 25, T. 16 S., R. 11 E., W.M.

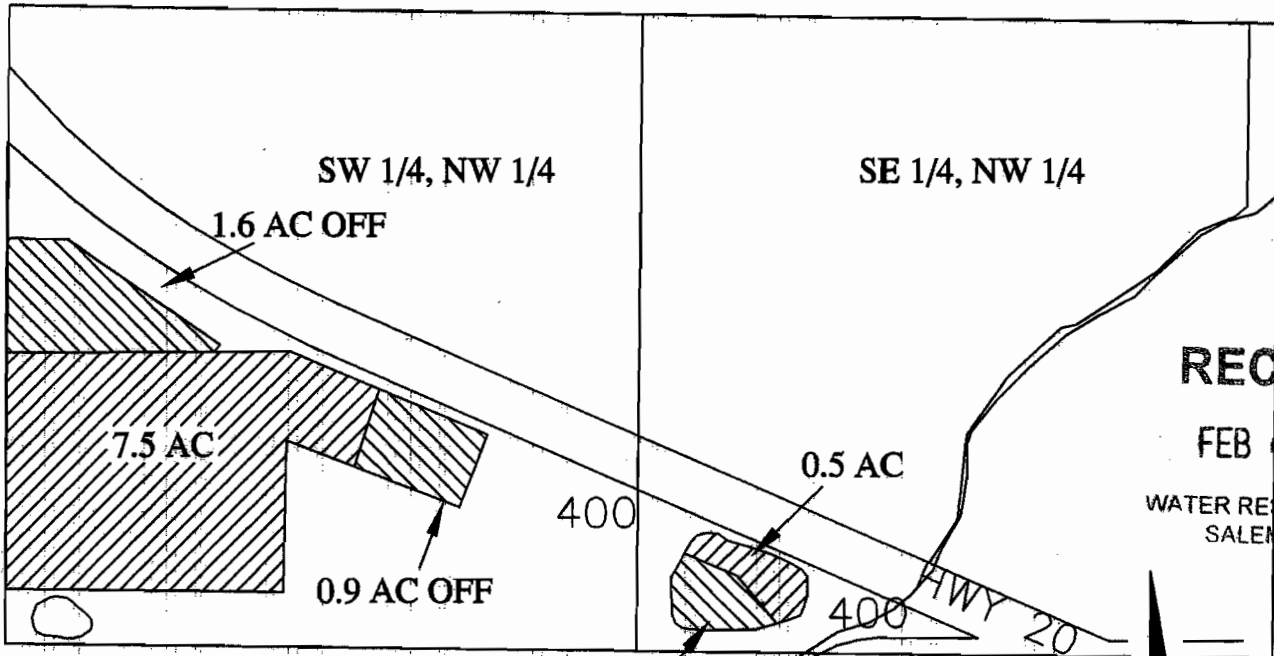
TAX LOT 16-11-25-00400

DESCHUTES COUNTY, OREGON

RECEIVED

SEP 15 2003

WATER RESOURCES DEPT.
SALEM, OREGON



RECEIVED

FEB 02 2004

WATER RESOURCES DEPT.
SALEM, OREGON

= ADJUDICATED WATER TO REMAIN UNCHANGED

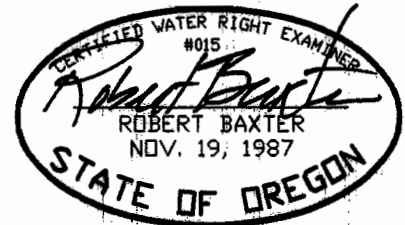
= ADJUDICATED WATER TO BE TRANSFERRED OFF

I, ROBERT E. BAXTER, CERTIFIED WATER RIGHT EXAMINER IN THE STATE OF OREGON, HEREBY CERTIFY THAT THIS WATER RIGHT SURVEY MAP WAS PREPARED BY ME.

THE PREPARATION OF THIS MAP IS FOR THE PURPOSE OF IDENTIFYING THE LOCATION OF THE WATER RIGHT ONLY AND HAS NO INTENT TO PROVIDE DIMENSIONS OR LOCATIONS OF PROPERTY OWNERSHIP LINES.

SCALE: 1" = 400'

DATE: 9-06-01



F9641