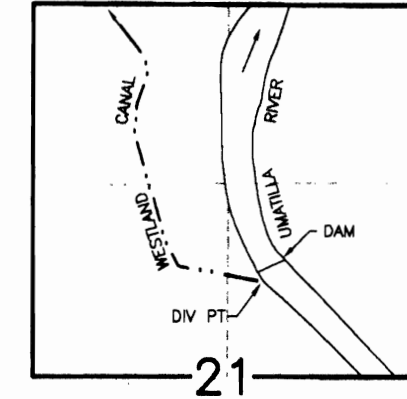


# WESTLAND IRRIGATION DISTRICT CHESTER PRIOR 2004 TEMPORARY TRANSFER T 2N & T 3N RANGE 28 E.W.M.

T.3N., R.29E., W.M.



AUTHORIZED P.O.D. PERMIT 25920 CERT 76050  
DIV PT LCT N76°48'56"E 2913.18' FROM W1/4 COR SEC 21

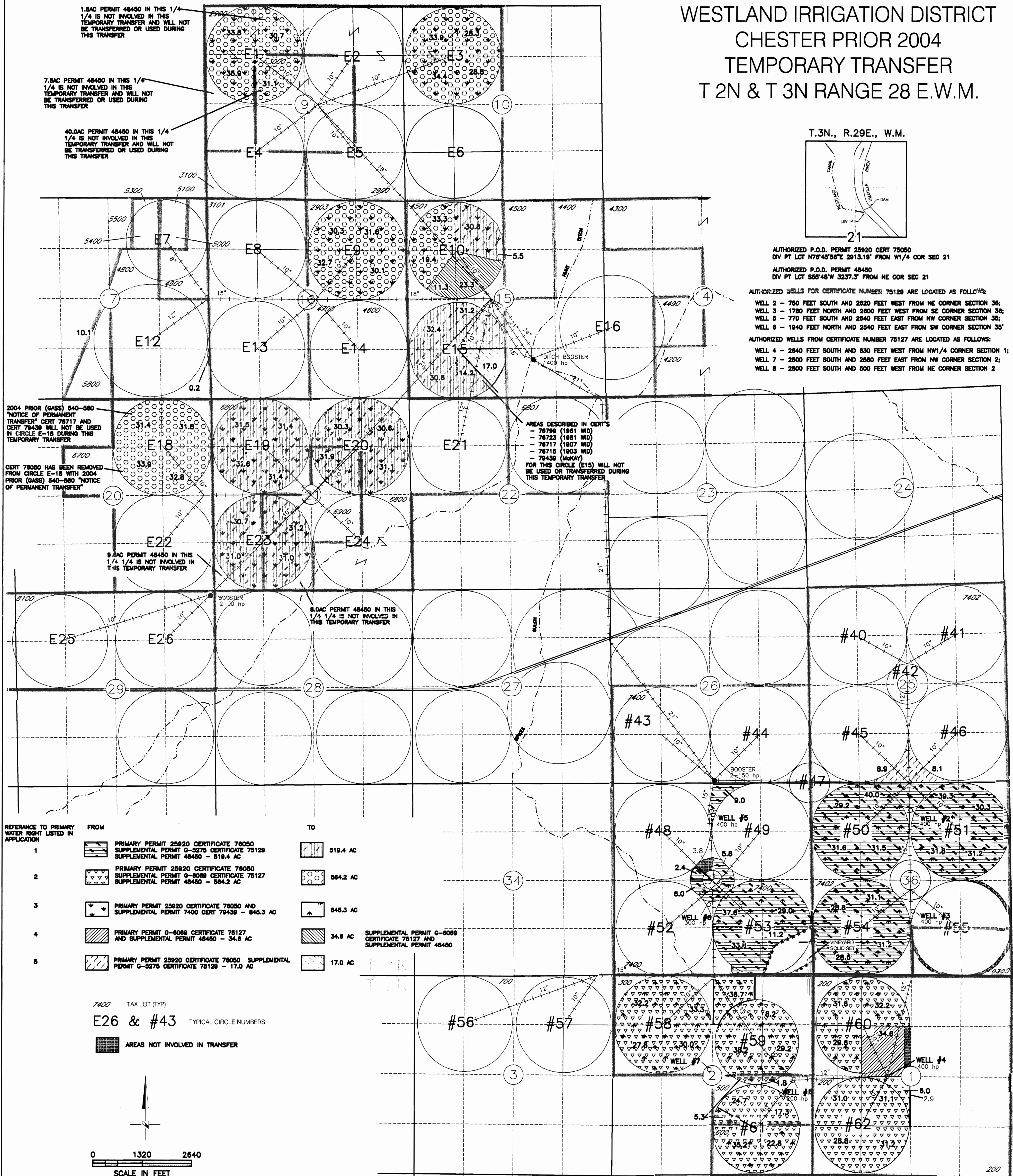
AUTHORIZED P.O.D. PERMIT 48450  
DIV PT LCT S65°48'W 3237.3' FROM NE COR SEC 21

AUTHORIZED WELLS FOR CERTIFICATE NUMBER 75129 ARE LOCATED AS FOLLOWS:

- WELL 2 - 750 FEET SOUTH AND 2820 FEET WEST FROM NE CORNER SECTION 36;
- WELL 3 - 1780 FEET NORTH AND 2600 FEET WEST FROM SE CORNER SECTION 36;
- WELL 5 - 770 FEET SOUTH AND 2840 FEET EAST FROM NW CORNER SECTION 35;
- WELL 6 - 1940 FEET NORTH AND 2540 FEET EAST FROM SW CORNER SECTION 35'

AUTHORIZED WELLS FROM CERTIFICATE NUMBER 75127 ARE LOCATED AS FOLLOWS:

- WELL 4 - 2640 FEET SOUTH AND 630 FEET WEST FROM NW1/4 CORNER SECTION 1;
- WELL 7 - 2500 FEET SOUTH AND 2580 FEET EAST FROM NW CORNER SECTION 2;
- WELL 8 - 2800 FEET SOUTH AND 500 FEET WEST FROM NE CORNER SECTION 2



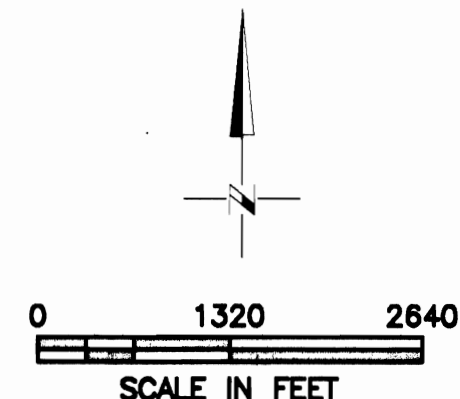
2004 PRIOR (GASS) 840-880 "NOTICE OF PERMANENT TRANSFER" CERT 76717 AND CERT 78439 WILL NOT BE USED IN CIRCLE E-18 DURING THIS TEMPORARY TRANSFER

CERT 76050 HAS BEEN REMOVED FROM CIRCLE E-18 WITH 2004 PRIOR (GASS) 840-880 "NOTICE OF PERMANENT TRANSFER"

AREAS DESCRIBED IN CERT'S  
- 76799 (1981 WID)  
- 76723 (1981 WID)  
- 76717 (1987 WID)  
- 76715 (1983 WID)  
- 79439 (McKAY)  
FOR THIS CIRCLE (E15) WILL NOT BE USED OR TRANSFERRED DURING THIS TEMPORARY TRANSFER

REFERENCE TO PRIMARY WATER RIGHT LISTED IN APPLICATION	FROM	TO
1	PRIMARY PERMIT 25920 CERTIFICATE 76050 SUPPLEMENTAL PERMIT G-3276 CERTIFICATE 75129 SUPPLEMENTAL PERMIT 48450 - 519.4 AC	519.4 AC
2	PRIMARY PERMIT 25920 CERTIFICATE 76050 SUPPLEMENTAL PERMIT G-8089 CERTIFICATE 75127 SUPPLEMENTAL PERMIT 48450 - 564.2 AC	564.2 AC
3	PRIMARY PERMIT 25920 CERTIFICATE 76050 AND SUPPLEMENTAL PERMIT 7400 CERT 78439 - 845.3 AC	845.3 AC
4	PRIMARY PERMIT G-8089 CERTIFICATE 75127 AND SUPPLEMENTAL PERMIT 48450 - 34.6 AC	34.6 AC
5	PRIMARY PERMIT 25920 CERTIFICATE 76050 SUPPLEMENTAL PERMIT G-5276 CERTIFICATE 75127 - 17.0 AC	17.0 AC

7400 TAX LOT (TYP)  
E26 & #43 TYPICAL CIRCLE NUMBERS  
AREAS NOT INVOLVED IN TRANSFER



NOTE:  
THE PURPOSE OF THIS MAP IS TO IDENTIFY THE APPROXIMATE LOCATION OF THE WATER RIGHT. IT IS NOT INTENDED TO PROVIDE INFORMATION RELATIVE TO THE LOCATION OF PROPERTY OWNERSHIP BOUNDARY LINES.