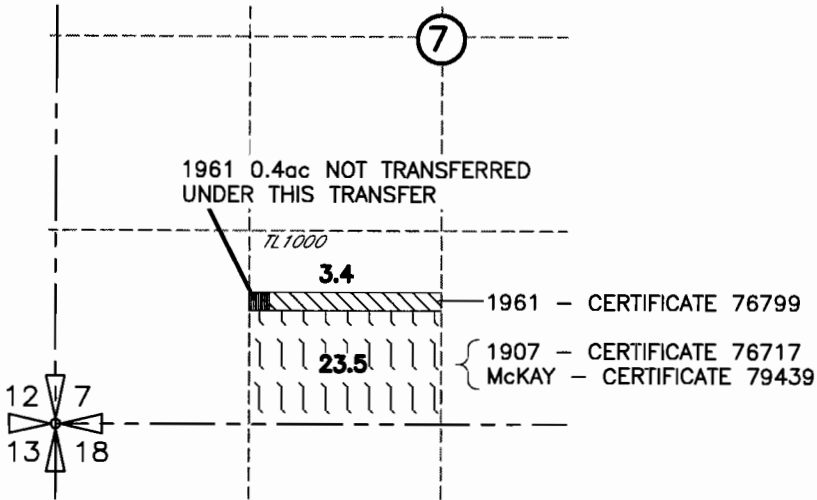
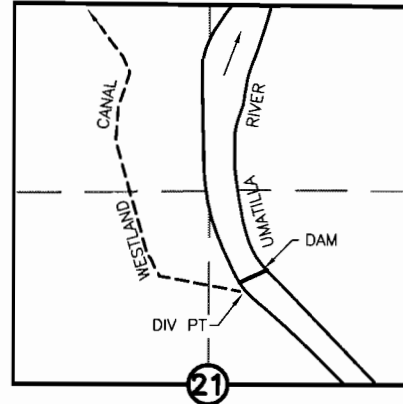


WESTLAND IRRIGATION DISTRICT KENT MADISON TEMPORARY TRANSFER

T4N, R28E WM
FROM

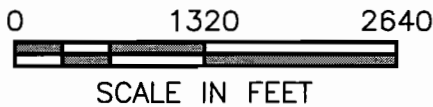
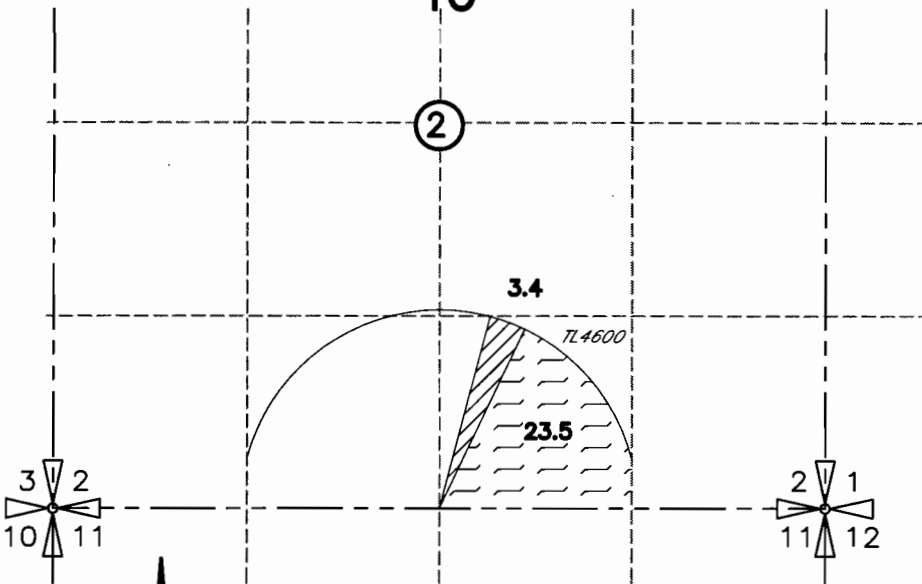


T3N, R29E WM



POINT OF DIVERSION
LOCATED N.76°45'56"E. 2913.19' FROM
W.1/4 COR. SEC 21

T3N, R27E WM
TO



NOTE:
THE PURPOSE OF THIS MAP IS TO IDENTIFY THE APPROXIMATE LOCATION OF THE WATER RIGHT. IT IS NOT INTENDED TO PROVIDE INFORMATION RELATIVE TO THE LOCATION OF PROPERTY OWNERSHIP BOUNDARY LINES.

RECEIVED

MAY 14 2004

WATER RESOURCES DEPT
SALEM, OREGON



Consultants, Inc.
A Tetra Tech Company

DRAWING: H:\CAD\AG\3522\001\352204TT.dwg
PRINTED BY: rogerw on 05/10/04 01:27 PM

T-9727