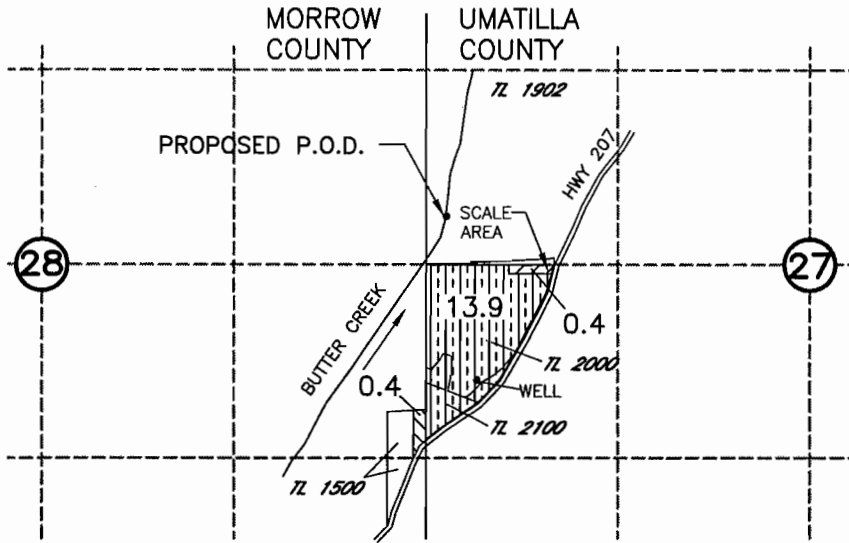


A & A FARMS, LLC WATER RIGHT TRANSFER MAP T2N, R27E WM



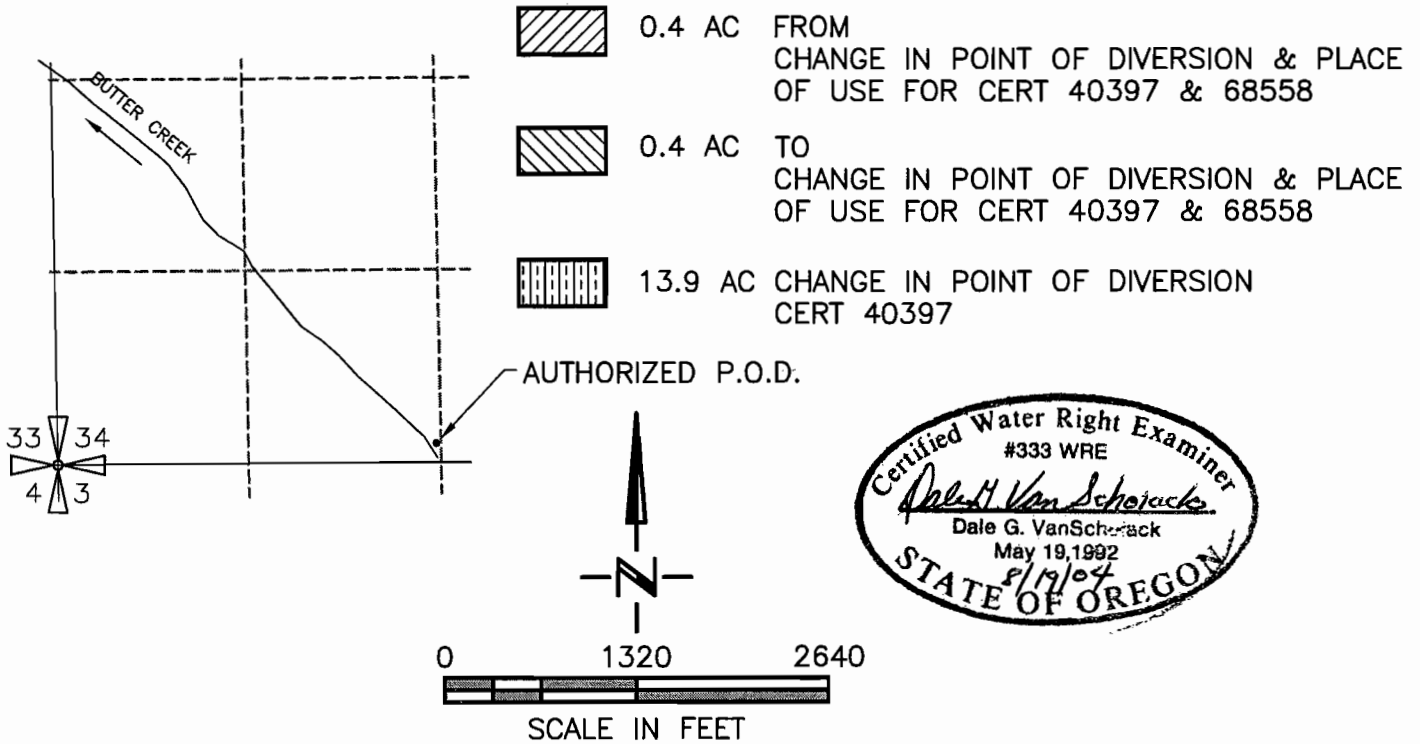
P.O.A.
WELL LOCATED 790' S & 330' E
FROM THE W 1/4 COR SEC 27

PROPOSED P.O.D.
LOCATED 320' N & 145' E FROM
THE W 1/4 OF SEC 27

RECEIVED

SEP 1 2004

WATER RESOURCES DEPT
SALEM, OREGON



Certified Water Right Examiner
 #333 WRE
Dale G. VanScherack
 Dale G. VanScherack
 May 19, 1992
 8/19/04
 STATE OF OREGON

T-9783

NOTE:
THE PURPOSE OF THIS MAP IS TO IDENTIFY THE APPROXIMATE LOCATION OF THE WATER RIGHT. IT IS NOT INTENDED TO PROVIDE INFORMATION RELATIVE TO THE LOCATION OF PROPERTY OWNERSHIP BOUNDARY LINES.

SCM Consultants, Inc.
 A Tetra Tech Company

DRAWING: H:\CAD\AG\3522\186\3522186TRp.dwg
PRINTED BY: RogerW on 08/19/04 02:39 PM