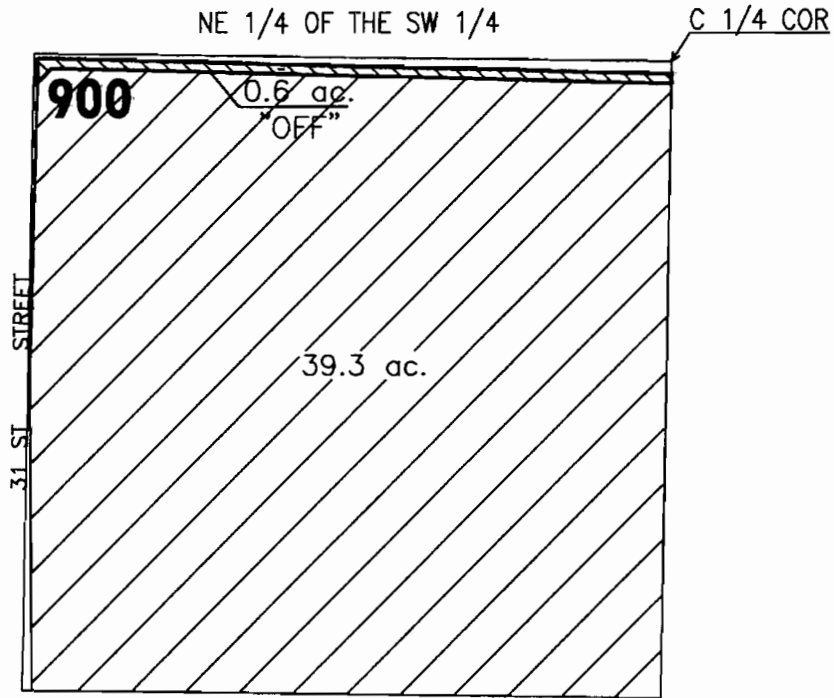


DESCHUTES COUNTY
SEC.17 T14S. R13E. W.M.

SCALE - 1" = 400'

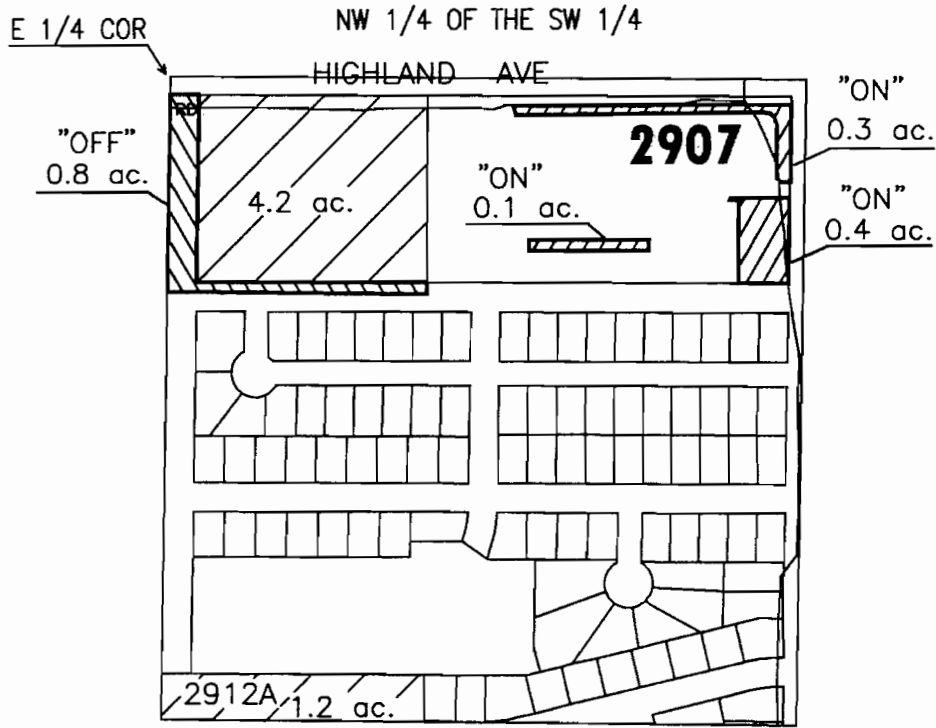


APPLICATION FOR WATER RIGHT TRANSFER
COID (ROGER W. & LOUISE B. LINTON) /
DARYL J. & DEBBIE J. HALL - 0.6 ACRES

"OFF" MAP

DESCHUTES COUNTY
SEC.17 T15S. R13E. W.M.

SCALE - 1" = 400'



APPLICATION FOR WATER RIGHT TRANSFER

HIGHLAND BAPTIST CHURCH / HIGHLAND BAPTIST CHURCH - 0.8 ACRES

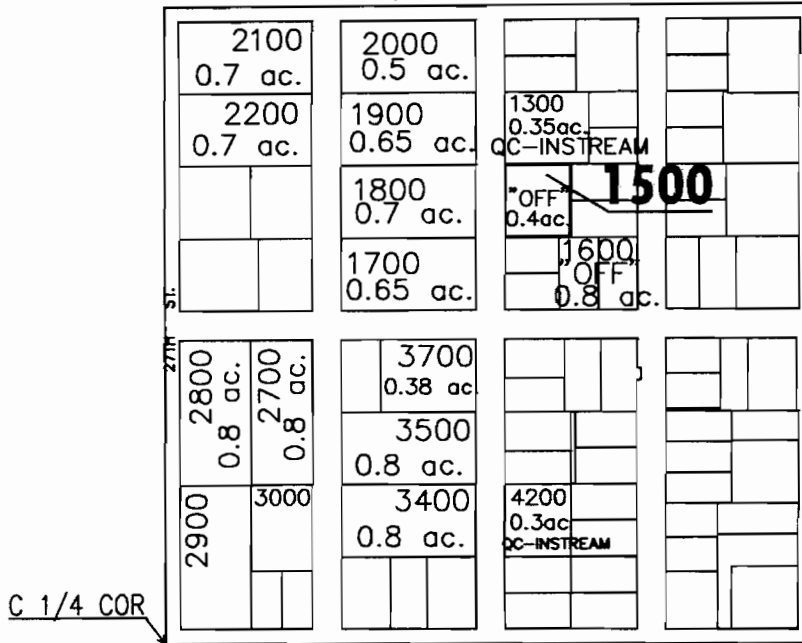
"OFF" / "ON" MAP

DESCHUTES COUNTY
SEC.20 T15S. R13E. W.M.

SCALE - 1" = 400'



SW 1/4 OF THE NE 1/4



APPLICATION FOR WATER RIGHT TRANSFER

COID (JULIANNE R. O'NEIL) / DARYL J. & DEBBIE J. HALL - 0.4 ACRES

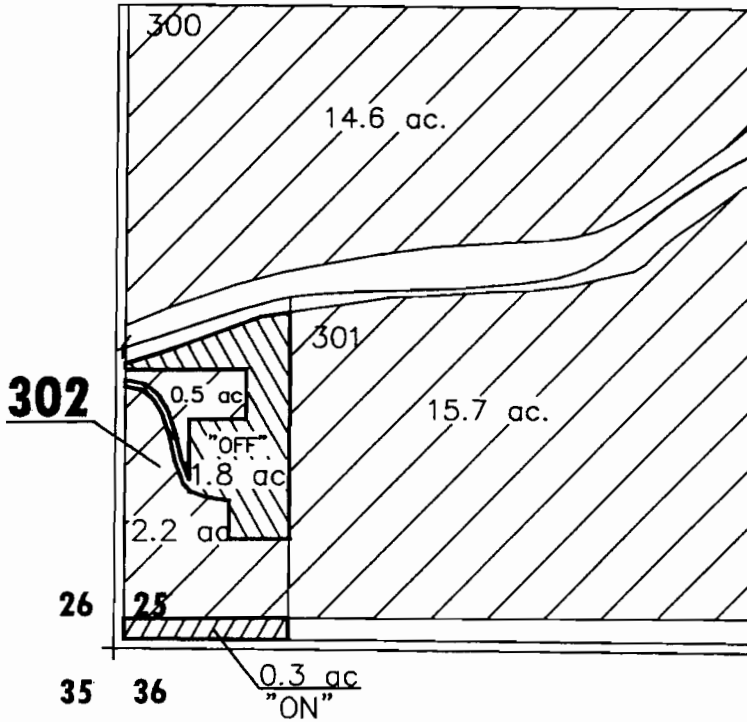
"OFF" MAP

DESCHUTES COUNTY
SEC. 25 T15S. R14E. W.M.

SCALE - 1" = 400'



SW 1/4 OF THE SW 1/4



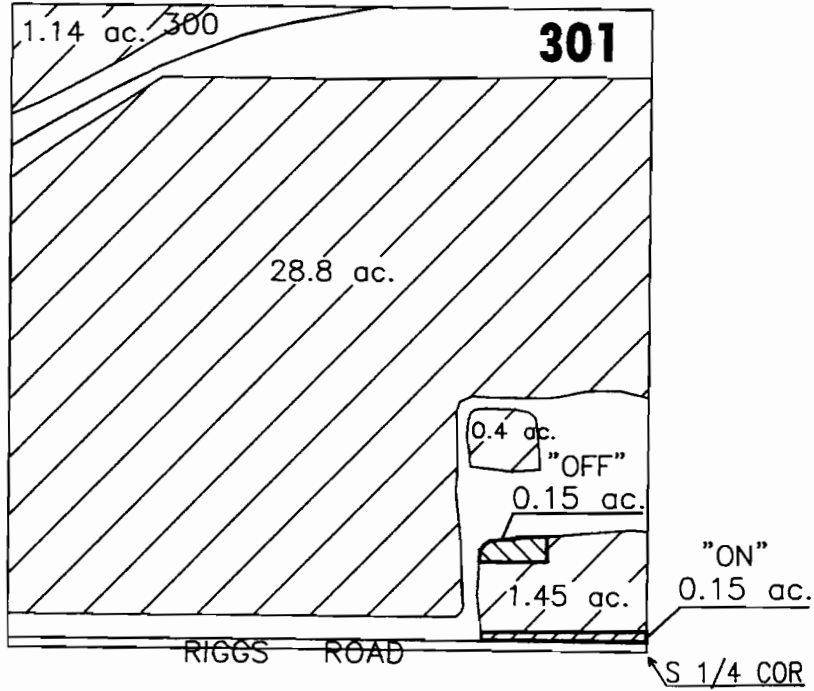
APPLICATION FOR WATER RIGHT TRANSFER
COID FOR DONALD B. & PATRICIA J. HEPPERLE /
DONALD B. & PATRICIA J. HEPPERLE - 0.3 ACRES

COID FOR DONALD B. & PATRICIA J. HEPPERLE /
CLAUDE & CHRISTINE RICKMAN - 1.5 ACRES

"OFF" / "ON" MAP

CROOK COUNTY
SEC.25 T15S. R14E. W.M.
SCALE - 1" = 400'
N↑

SE 1/4 OF THE SW 1/4



APPLICATION FOR WATER RIGHT TRANSFER

DONALD B. & PATRICIA J. HEPERLE / DONALD B. & PATRICIA J. HEPERLE - 0.15 ACRES

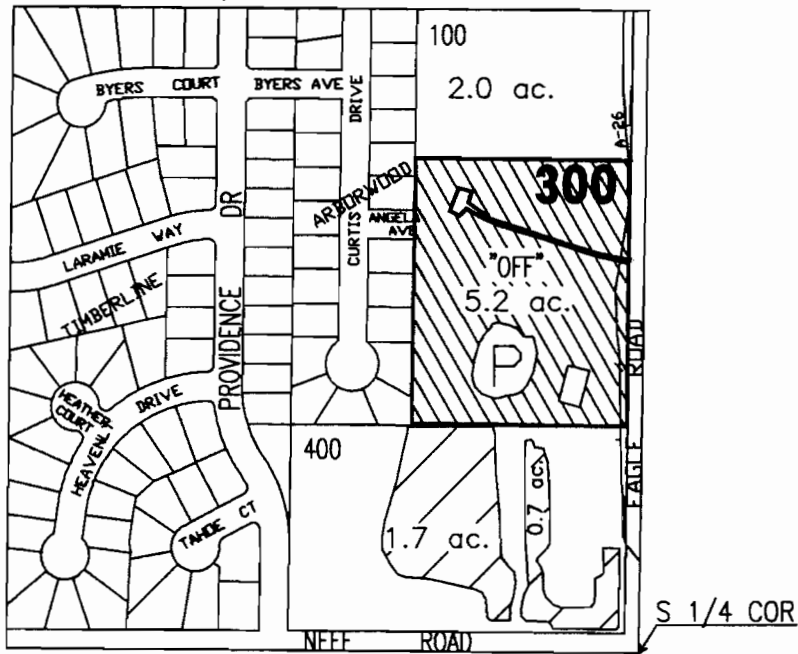
"OFF" / "ON" MAP

DESCHUTES COUNTY
SEC.26 T17S. R12E. W.M.

SCALE - 1" = 400'



SE 1/4 OF THE SW 1/4



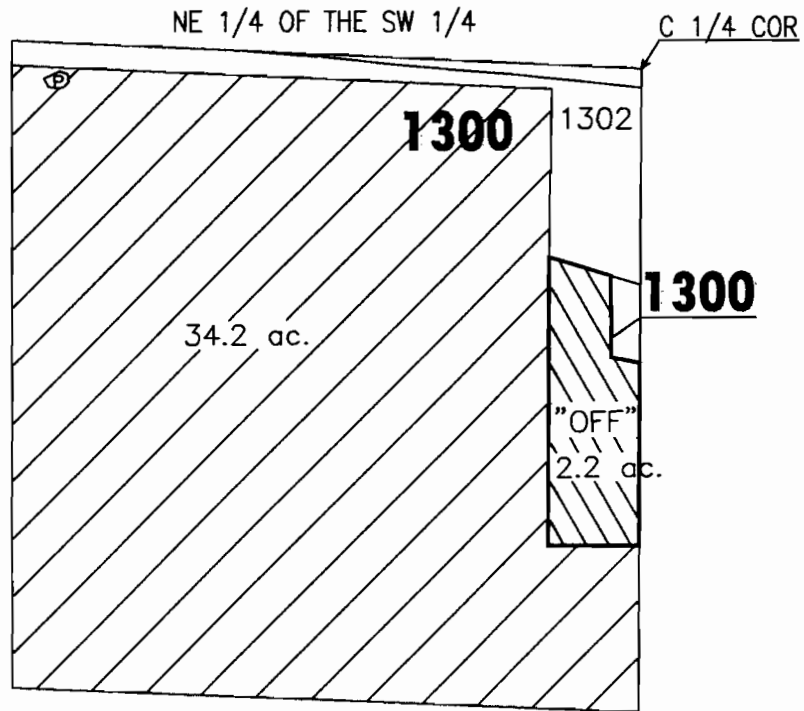
APPLICATION FOR WATER RIGHT TRANSFER

LEONARD DEAN O'NEAL, TRUSTEE, O'NEAL REVOCABLE TRUST /
LEONARD DEAN O'NEAL, TRUSTEE, O'NEAL REVOCABLE TRUST - 5.2 ACRES

"OFF" MAP

DESCHUTES COUNTY
SEC.27 T17S. R14E. W.M.

SCALE - 1" = 400'

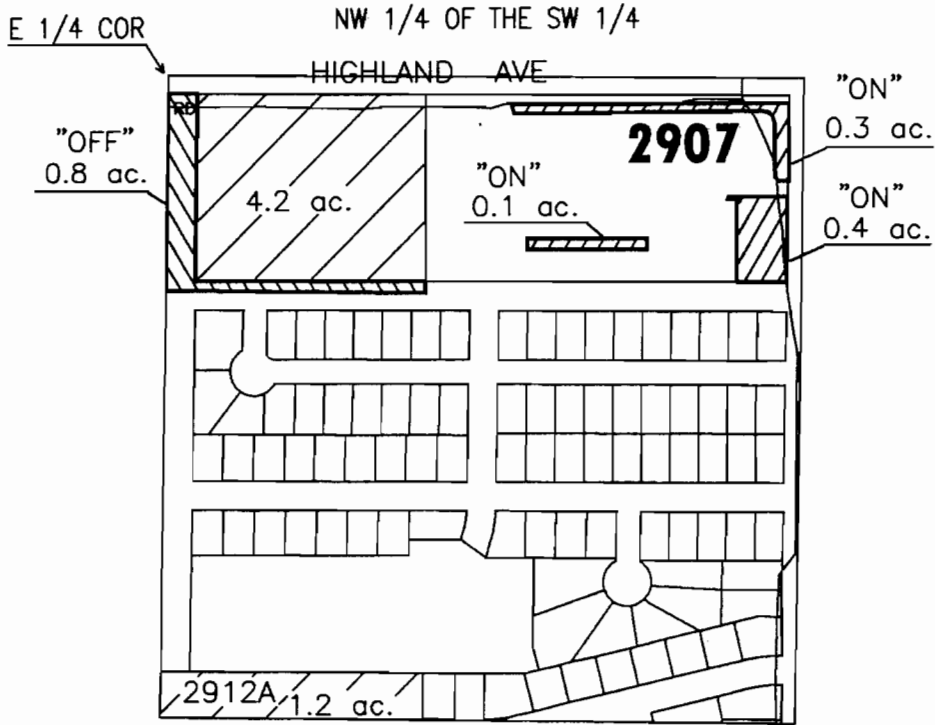


APPLICATION FOR WATER RIGHT TRANSFER
COID FOR PAUL D. STULTZ / CLAUDE & CHRISTINE RICKMAN - 2.2 ACRES

"OFF" MAP

DESCHUTES COUNTY
SEC.17 T15S. R13E. W.M.

SCALE - 1" = 400'



APPLICATION FOR WATER RIGHT TRANSFER

HIGHLAND BAPTIST CHURCH / HIGHLAND BAPTIST CHURCH - 0.8 ACRES

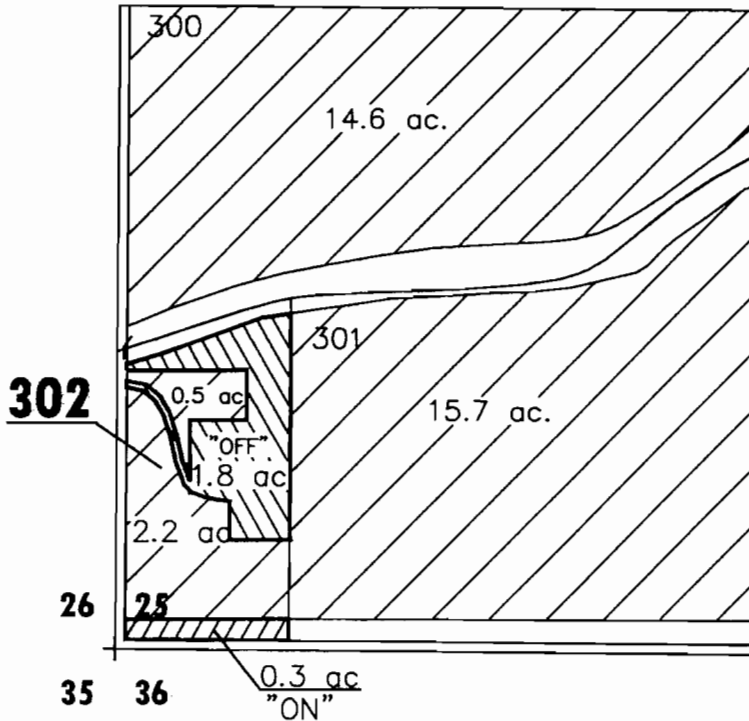
"OFF" / "ON" MAP

DESCHUTES COUNTY
SEC.25 T15S. R14E. W.M.

SCALE - 1" = 400'



SW 1/4 OF THE SW 1/4



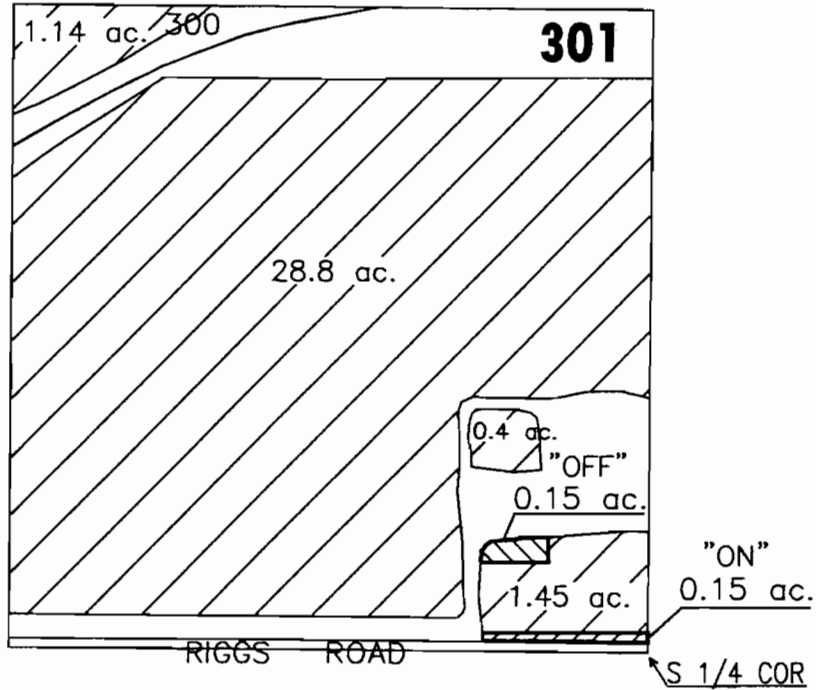
APPLICATION FOR WATER RIGHT TRANSFER
COID FOR DONALD B. & PATRICIA J. HEPERLE /
DONALD B. & PATRICIA J. HEPERLE - 0.3 ACRES

COID FOR DONALD B. & PATRICIA J. HEPERLE /
CLAUDE & CHRISTINE RICKMAN - 1.5 ACRES

"OFF" / "ON" MAP

CROOK COUNTY
SEC.25 T15S. R14E. W.M.
SCALE - 1" = 400'
N↑

SE 1/4 OF THE SW 1/4



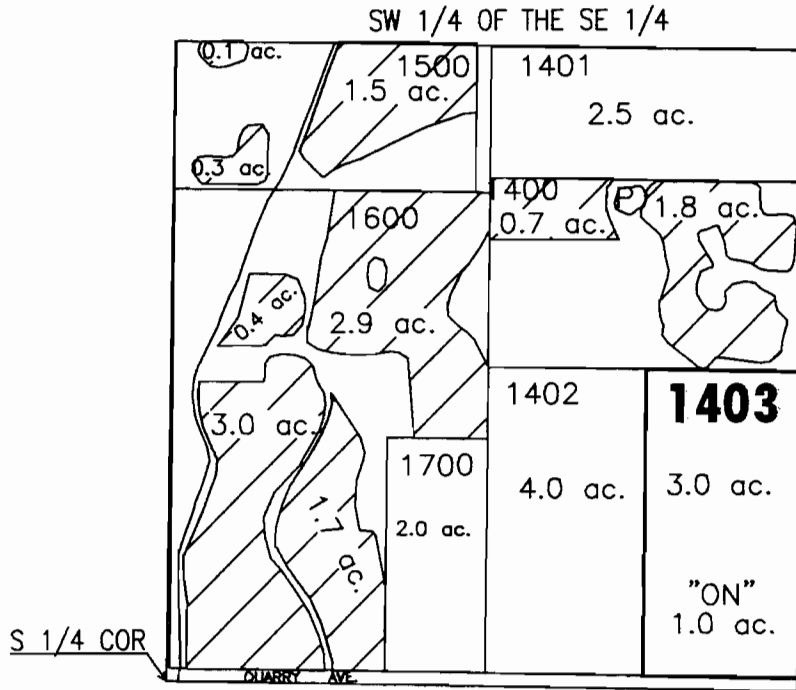
APPLICATION FOR WATER RIGHT TRANSFER

DONALD B. & PATRICIA J. HEPERLE / DONALD B. & PATRICIA J. HEPERLE - 0.15 ACRES

"OFF" / "ON" MAP

DESCHUTES COUNTY
SEC.02 T16S. R12E. W.M.

SCALE - 1" = 400'



APPLICATION FOR WATER RIGHT TRANSFER

COID (ROGER W. & LOUISE B. LINTON) / DARYL J. & DEBBIE J. HALL - 0.6 ACRES

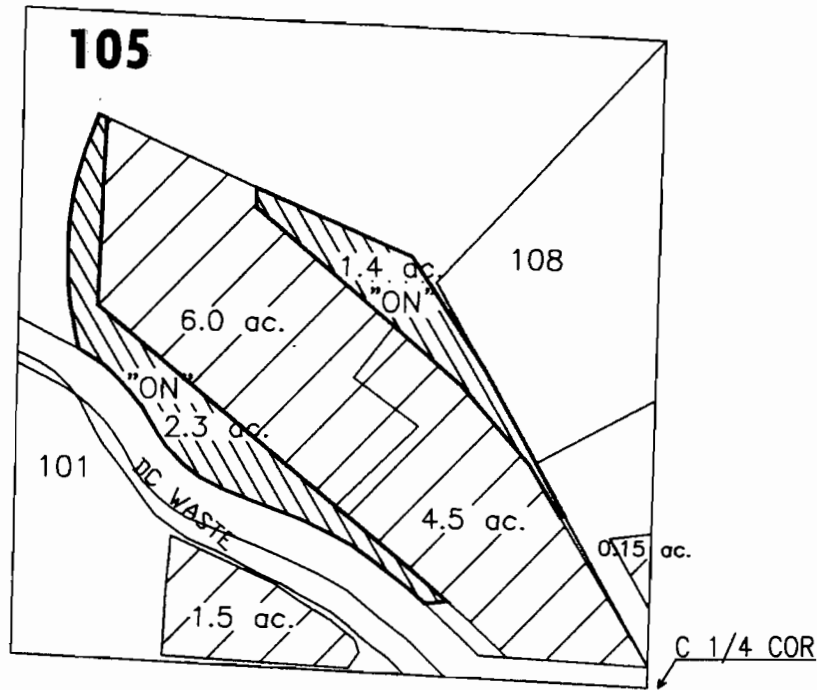
COID (JULIANNE R O'NEIL) / DARYL J. & DEBBIE J. HALL - 0.4 ACRES

TOTAL - 1.0 ACRES

"ON" MAP

CROOK COUNTY
SEC.28 T16S. R14E. W.M.
SCALE - 1" = 400'
N↑

SE 1/4 OF THE NW 1/4



APPLICATION FOR WATER RIGHT TRANSFER

COID FOR PAUL D. STULZ / CLAUDE & CHRISTINE RICKMAN - 2.2 ACRES

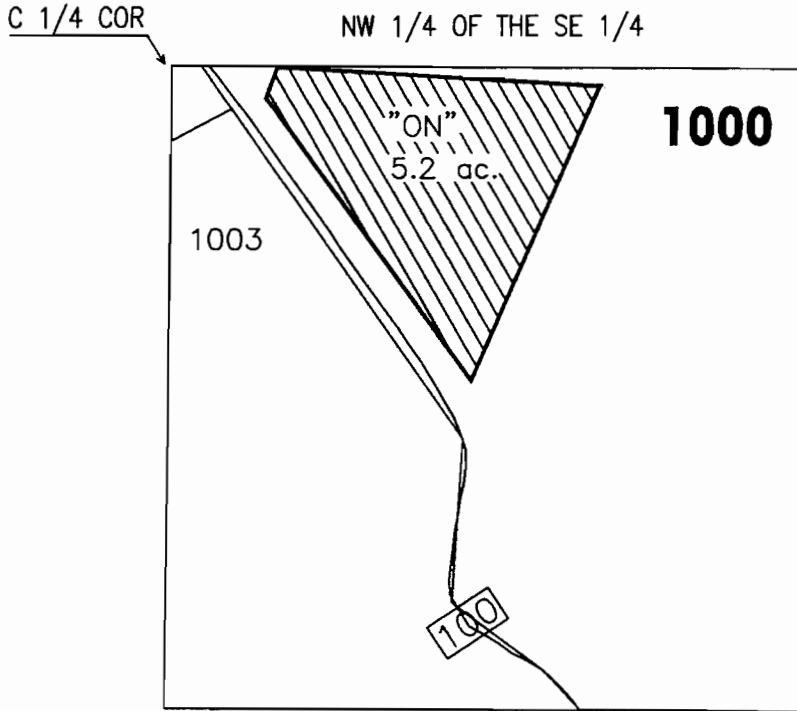
COID FOR DONALD B. & PATRICIA J HEPPERLE /
CLAUDE & CHRISTINE RICKMAN - 1.5 ACRES

3.7 ACRES TOTAL

"ON" MAP

DESCHUTES COUNTY
SEC.06 T18S. R13E. W.M.

SCALE - 1" = 400'



APPLICATION FOR WATER RIGHT TRANSFER

LEONARD DEAN O'NEAL, TRUSTEE, O'NEAL REVOCABLE TRUST /
LEONARD DEAN O'NEAL, TRUSTEE, O'NEAL REVOCABLE TRUST - 5.2 ACRES

"ON" MAP