

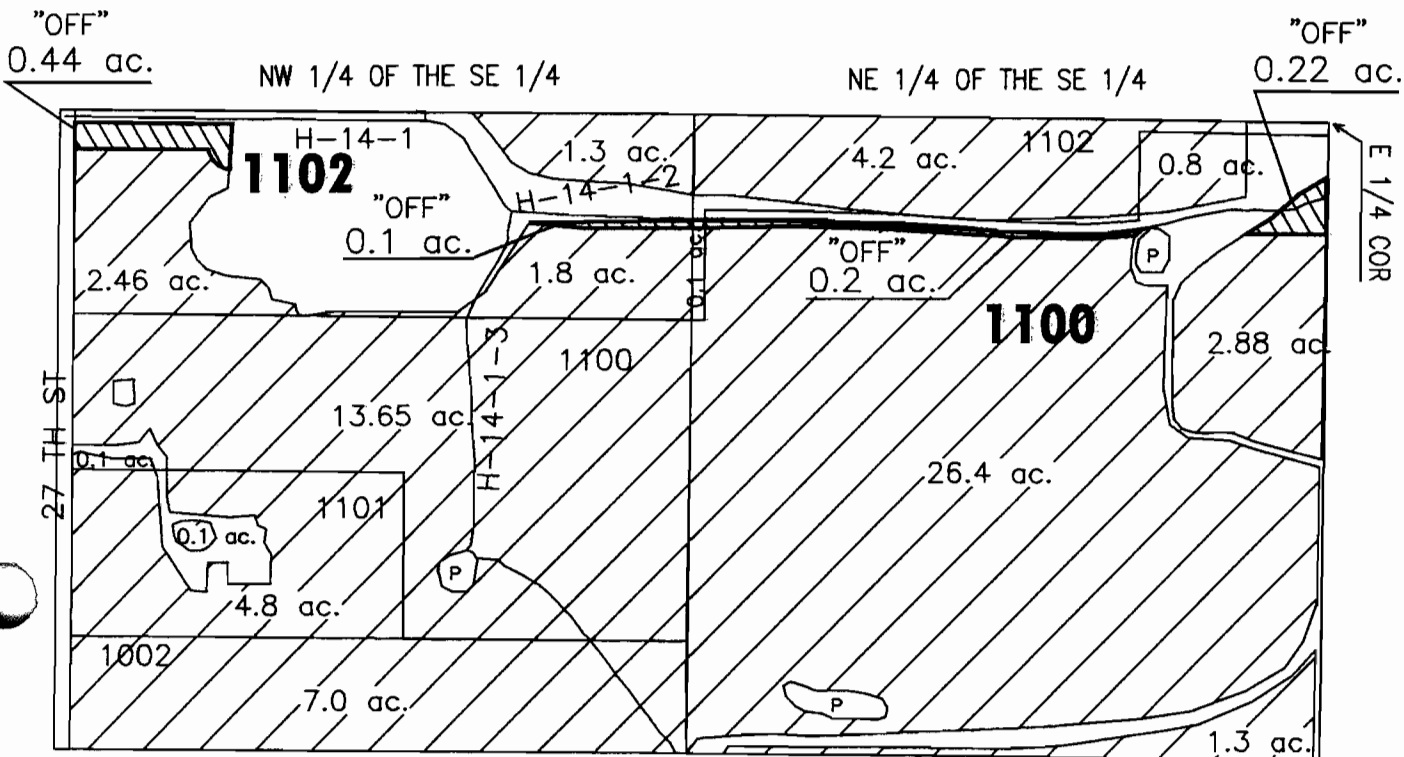
RECEIVED

DESCHUTES COUNTY
SEC.08 T14S. R13E. W.M.

DEC 16 2004

SCALE - 1" = 400'

WATER RESOURCES DEPT
SALEM, OREGON



APPLICATION FOR WATER RIGHT TRANSFER

COID / PREBCO PROPERTIES, LLC - 0.96 ACRES

"OFF" MAP

T-98834

DESCHUTES COUNTY
SEC.16 T14S. R13E. W.M.

SCALE - 1" = 400'

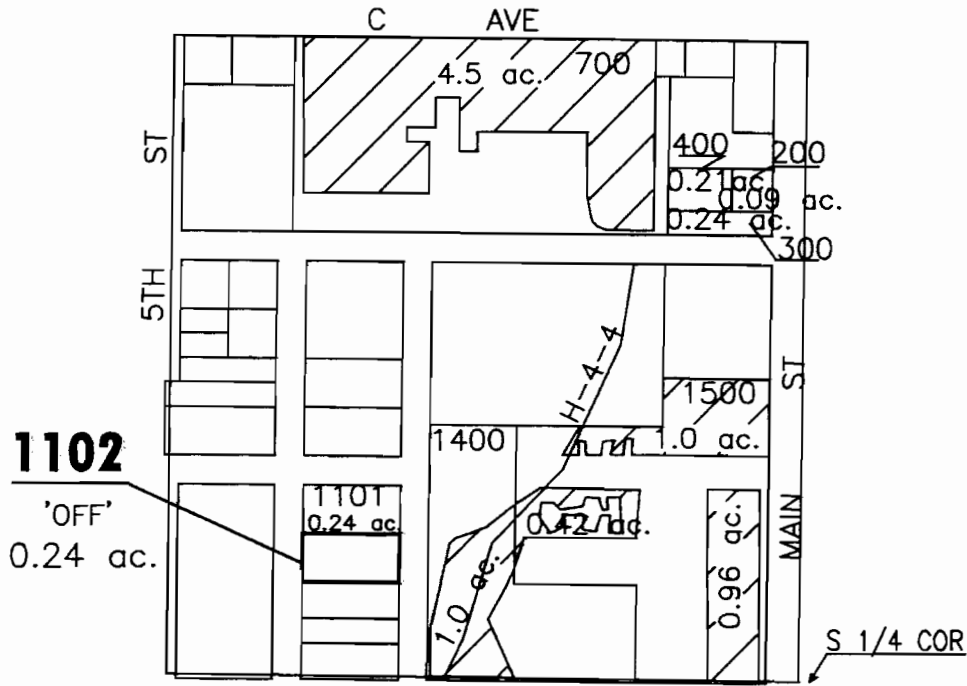


RECEIVED

DEC 16 2004

WATER RESOURCES DEPT
SALEM, OREGON

SE 1/4 OF THE SW 1/4



APPLICATION FOR WATER RIGHT TRANSFER

COID / PREBCO PROPERTIES, LLC - 0.24 ACRES

"OFF" MAP

T-95834

DESCHUTES COUNTY
SEC.17 T14S. R13E. W.M.

SCALE - 1" = 400'



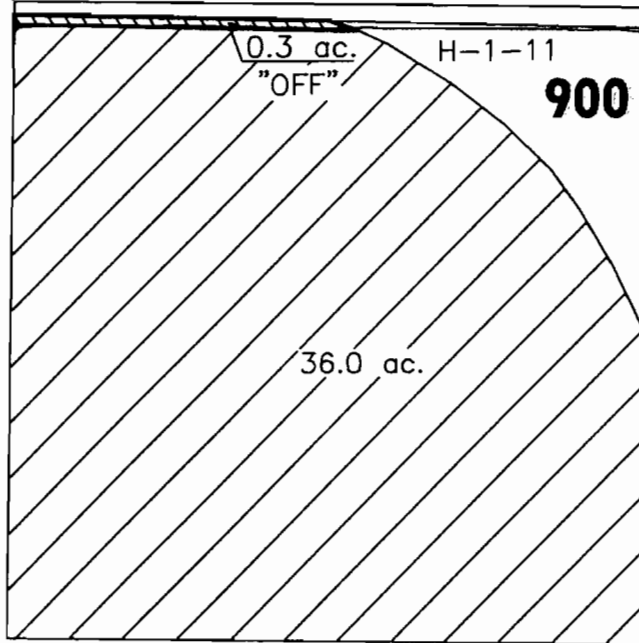
RECEIVED

DEC 16 2004

WATER RESOURCES DEPT
SALEM, OREGON

C 1/4 COR

NW 1/4 OF THE SE 1/4



APPLICATION FOR WATER RIGHT TRANSFER
COID / PREBCO PROPERTIES, LLC - 0.3 ACRES

"OFF" MAP

T-9834

DESCHUTES COUNTY
SEC.21 T15S. R13E. W.M.

SCALE - 1" = 400'

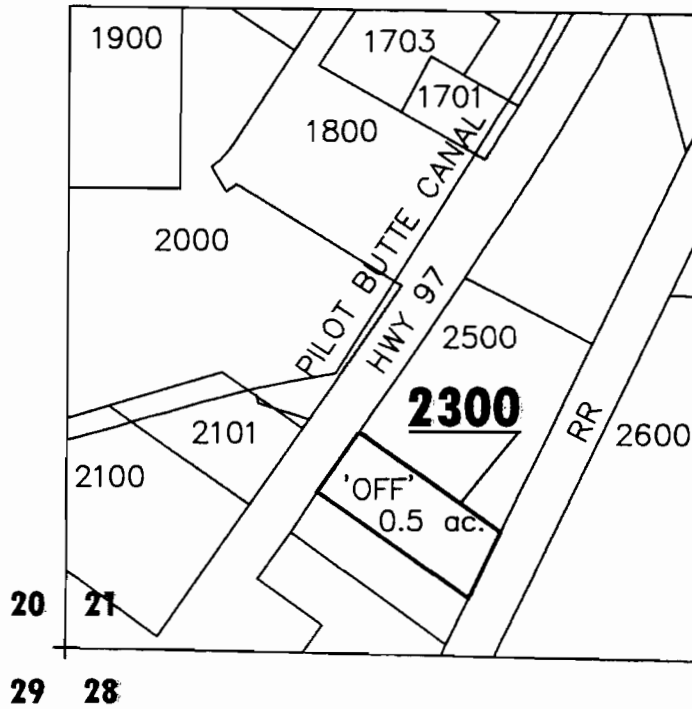


RECEIVED

DEC 16 2004

SW 1/4 OF THE SW 1/4

**WATER RESOURCES DEPT
SALEM, OREGON**



APPLICATION FOR WATER RIGHT TRANSFER

COID / PREBCO PROPERTIES, LLC - 0.5 ACRES

"OFF" MAP

T-9834

DESCHUTES COUNTY
SEC. 25 T15S. R12E. W.M.

SCALE - 1" = 400'

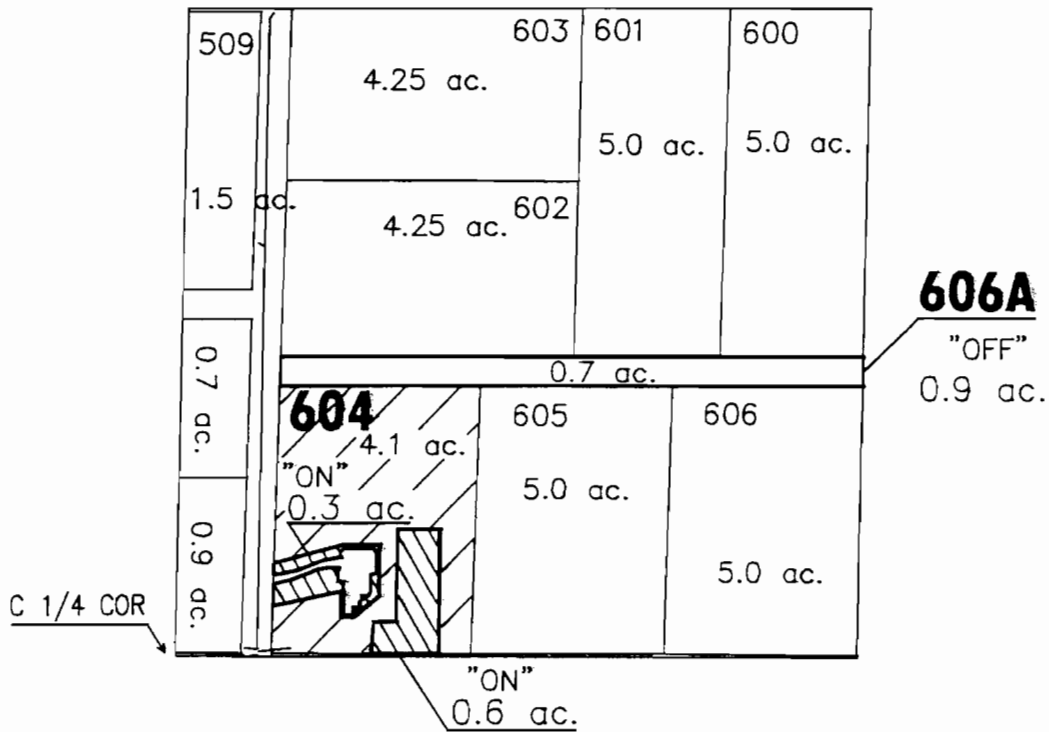


RECEIVED

DEC 16 2004

WATER RESOURCES DEPT
SALEM, OREGON

SW 1/4 OF THE NE 1/4



APPLICATION FOR WATER RIGHT TRANSFER

COID FOR ERNEST "BUD" HUTCHINSON / GREGORY & TERRY GOSS - 0.9 ACRES

"OFF" / "ON" MAP

T9934

DESCHUTES COUNTY
SEC.08 T15S. R13E. W.M.

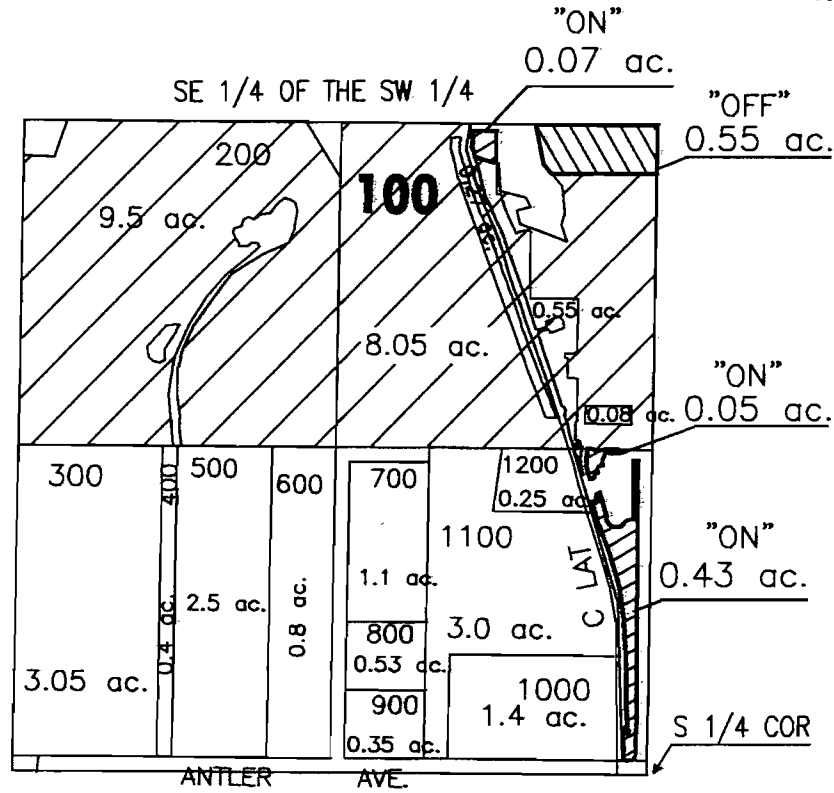
SCALE - 1" = 400'



RECEIVED

DEC 16 2004

WATER RESOURCES DEPT
SALEM, OREGON



APPLICATION FOR WATER RIGHT TRANSFER

ELK HORN DEVELOPMENT, LLC / ELK HORN DEVELOPMENT, LLC - 0.55 ACRES

~~"OFF"~~ / "ON" MAP

T-9634

DESCHUTES COUNTY
SEC.07 T18S. R14E. W.M.

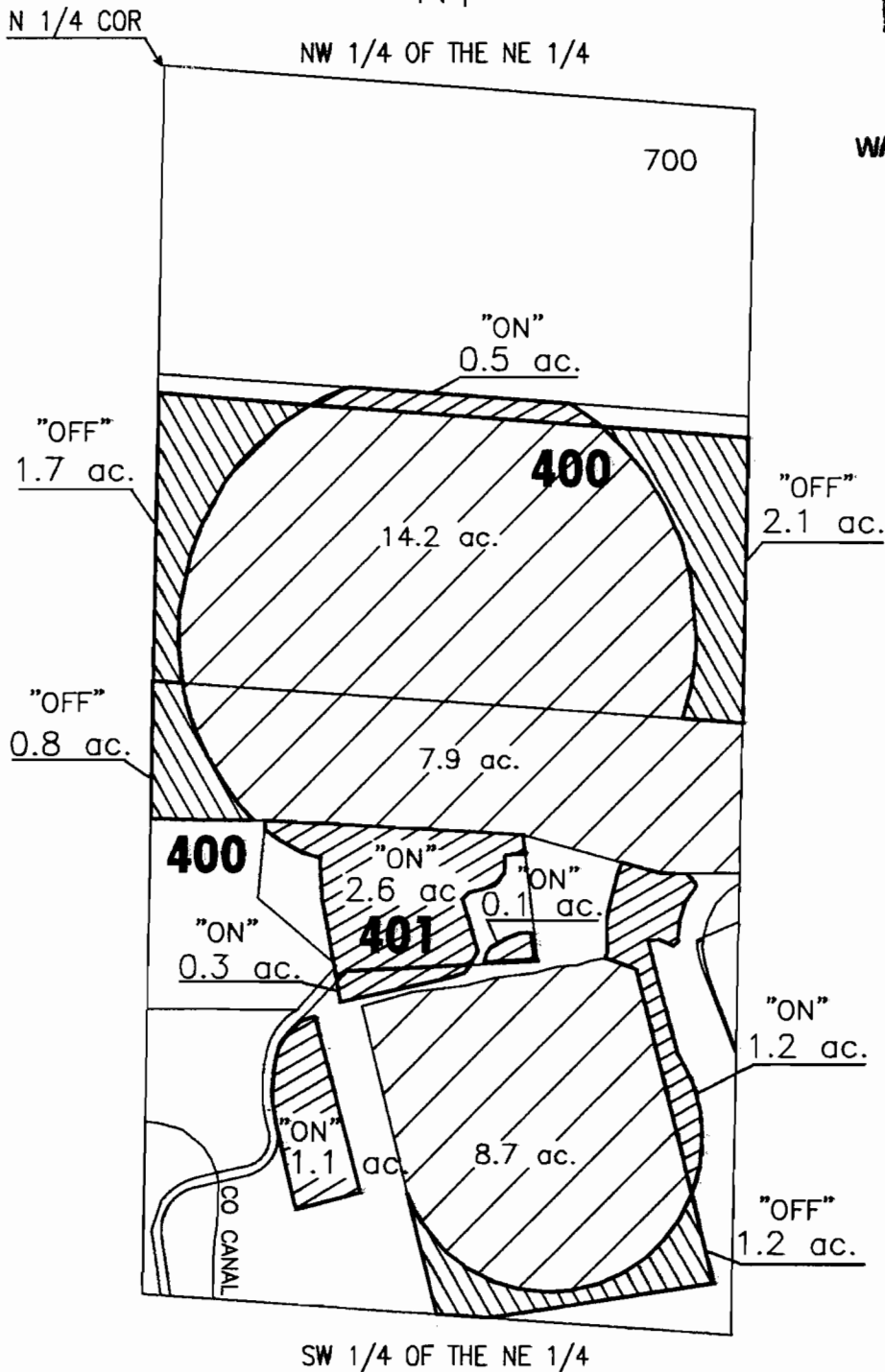
SCALE - 1" = 400'



RECEIVED

DEC 16 2004

WATER RESOURCES DEPT
SALEM, OREGON



APPLICATION FOR WATER RIGHT TRANSFER

FRANK V. & ELIZABETH M JACOBSEN / FRANK V. & ELIZABETH M JACOBSEN - 5.8 ACRES

"OFF" / "ON" MAP

DATE: 9-22-04
FILE NO: E:\TRANSFER\WRTRANS04\JACOBSEN

T-9434

DESCHUTES COUNTY
SEC.25 T15S. R12E. W.M.

SCALE - 1" = 400'

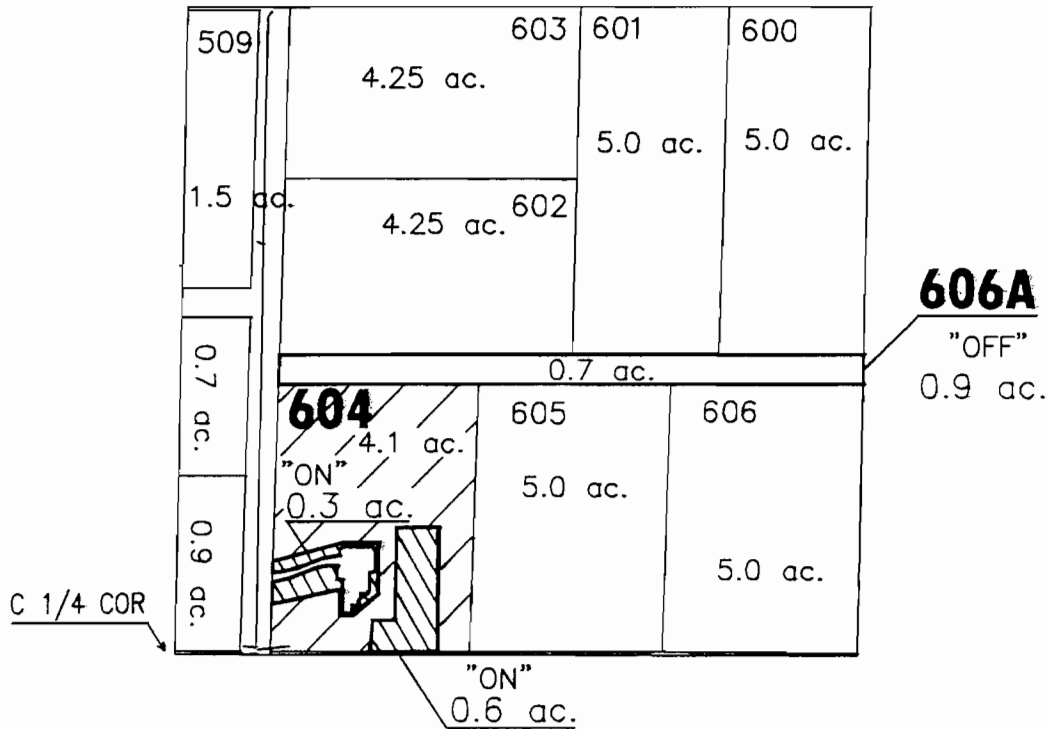


RECEIVED

DEC 16 2004

WATER RESOURCES DEPT
SALEM, OREGON

SW 1/4 OF THE NE 1/4



APPLICATION FOR WATER RIGHT TRANSFER

COID FOR ERNEST "BUD" HUTCHINSON / GREGORY & TERRY GOSS - 0.9 ACRES

"OFF" / "ON" MAP

19984

DESCHUTES COUNTY
SEC.08 T15S. R13E. W.M.

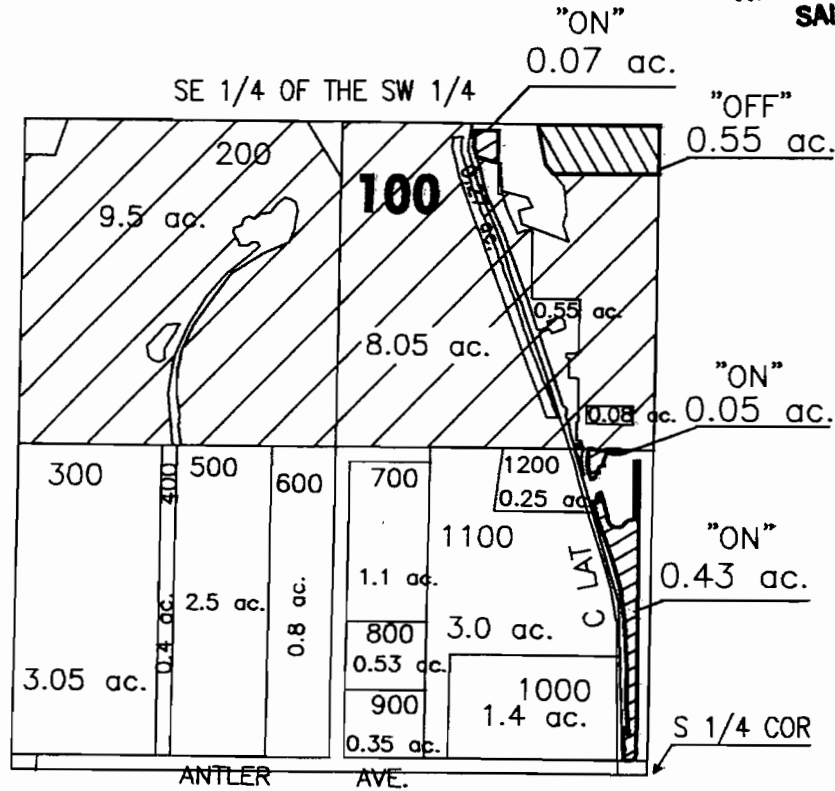
SCALE - 1" = 400'



RECEIVED

DEC 16 2004

WATER RESOURCES DEPT
SALEM, OREGON



APPLICATION FOR WATER RIGHT TRANSFER

ELK HORN DEVELOPMENT, LLC / ELK HORN DEVELOPMENT, LLC - 0.55 ACRES

"OFF" / "ON" MAP

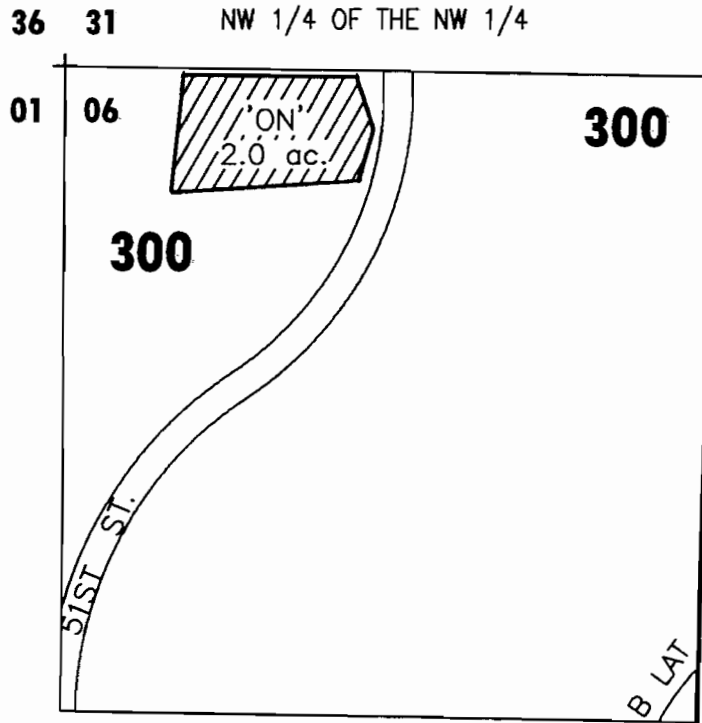
T-9834

DESCHUTES COUNTY
SEC.06 T15S. R13E. W.M.
SCALE - 1" = 400'
N↑

RECEIVED

DEC 16 2004

WATER RESOURCES DEPT
SALEM, OREGON



APPLICATION FOR WATER RIGHT TRANSFER
COID / PREBCO PROPERTIES, LLC - 2.0 ACRES

"ON" MAP

T-9534

DESCHUTES COUNTY
SEC.07 T18S. R14E. W.M.

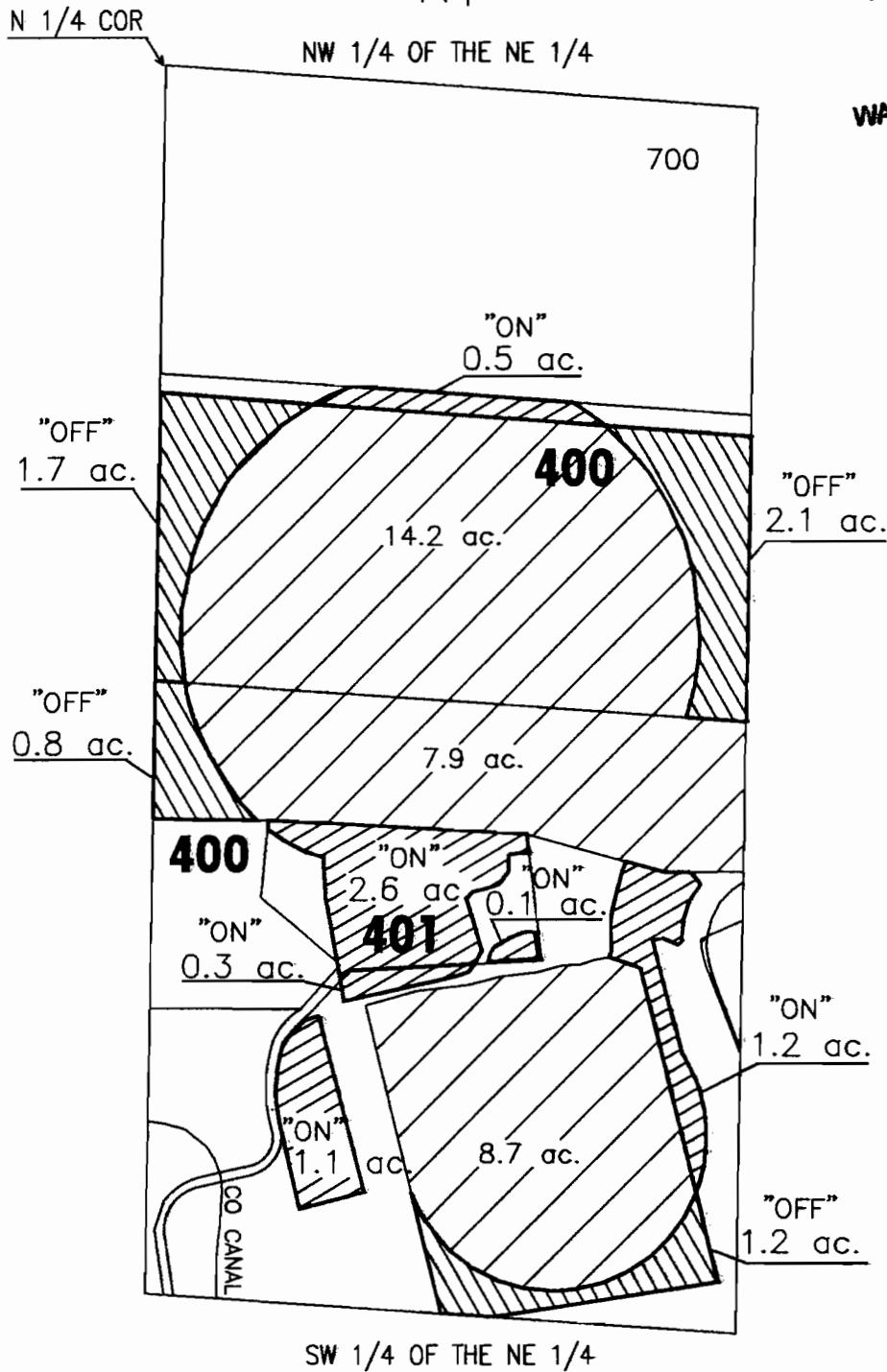
SCALE - 1" = 400'



RECEIVED

DEC 16 2004

WATER RESOURCES DEPT
SALEM, OREGON



APPLICATION FOR WATER RIGHT TRANSFER

FRANK V. & ELIZABETH M JACOBSEN / FRANK V. & ELIZABETH M JACOBSEN - 5.8 ACRES

"OFF" / "ON" MAP

DATE: 9-22-04
FILE NO: E:\TRANSFER\WRTRANO4\JACOBSEN

T-9834