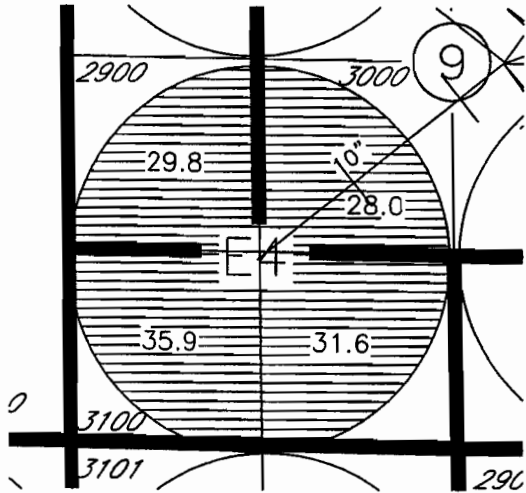


2005 WESTLAND IRRIGATION DISTRICT: TEMPORARY TRANSFER PRIOR TO PRIOR Cert. 76050 Primary, Cert. 75127 Supplemental & Permit 48450

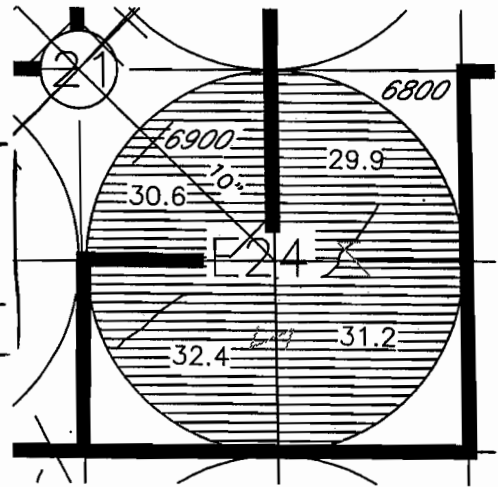
T3N., R28E., W.M.



RECEIVED

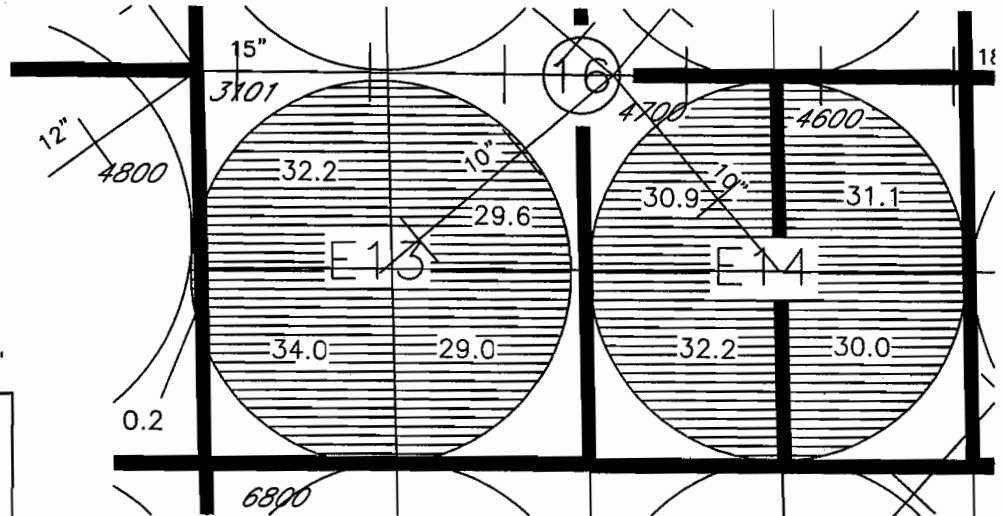
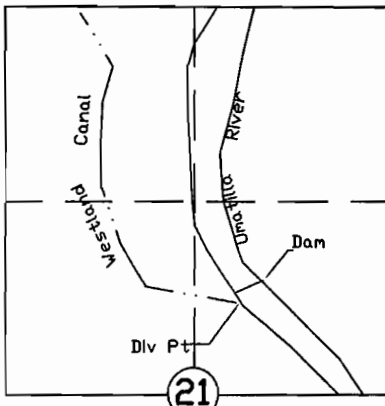
MAR 18 2005

WATER RESOURCES DEPT
SALEM, OREGON



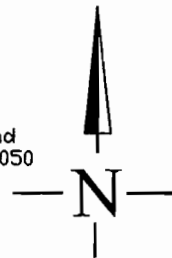
17

T3N., R 29E., W.M.

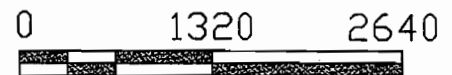


TO

Existing certificate 76050 & 79439 on the to ground
will become supplemental to incoming certificates 76050
& 75127, permit 48450 for this season only.



DIV PT LCT N. 76°45'56"E. 2913.19' FROM W.1/4 COR. SEC 21
WESTLAND IRRIGATION DISTRICT



SCALE IN FEET

NOTE: THE PURPOSE OF THIS MAP IS TO IDENTIFY THE APPROXIMATE LOCATION
OF THE WATER RIGHT. IT IS NOT INTENDED TO PROVIDE INFORMATION
RELATIVE TO THE LOCATION OF PROPERTY OWNERSHIP BOUNDARY LINES.

F9895

