

RECEIVED

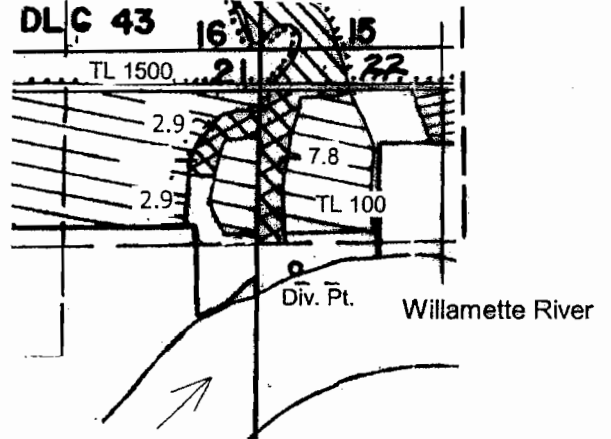
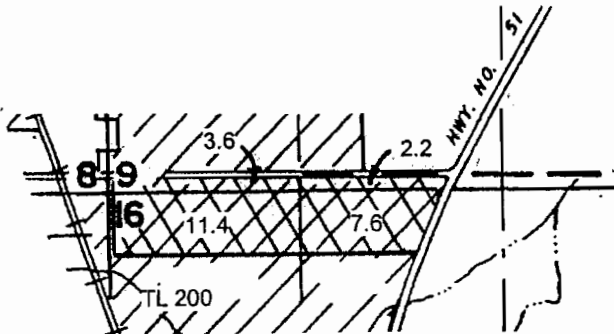
TRANSER APPLICATION MAP
In the name of Efim & Janice Zyryanoff

JUL 22 2005

WATER RESOURCES DEPT
SALEM, OREGON

T 8 S R 4 W, W.M.

FROM LANDS

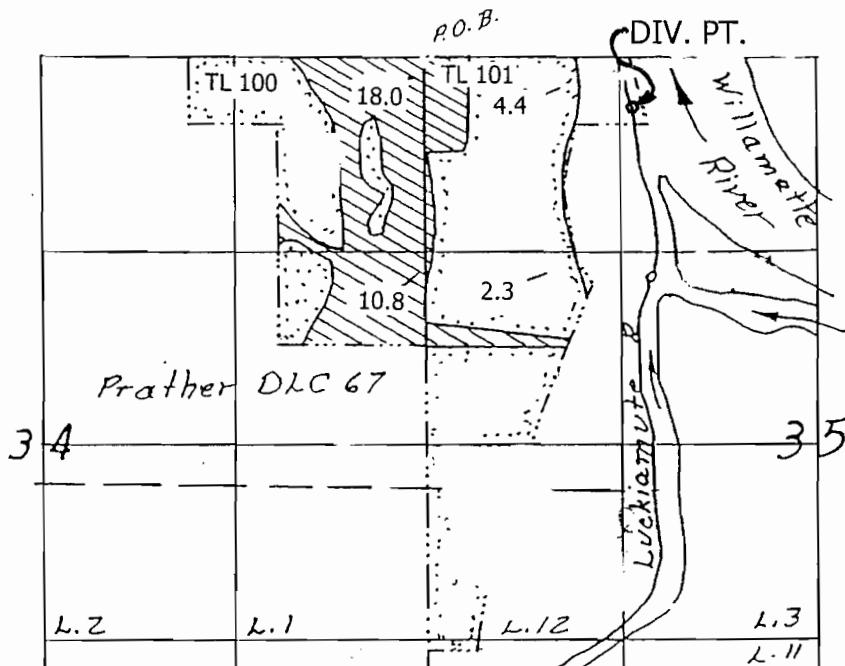


Div. Pt.: 2300' S & 1150' W of the easterly NE corner DLC 43

4" = 1 mile

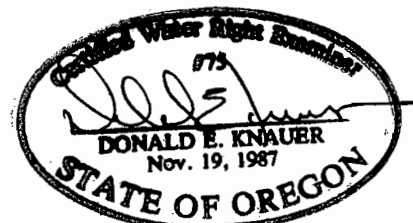


0 2500



T 9 S R 4 W, W.M.

TO LANDS



T-9975

Proposed Div. Pt.: 350' S & 1410' E of the NE cor. sec. 34