

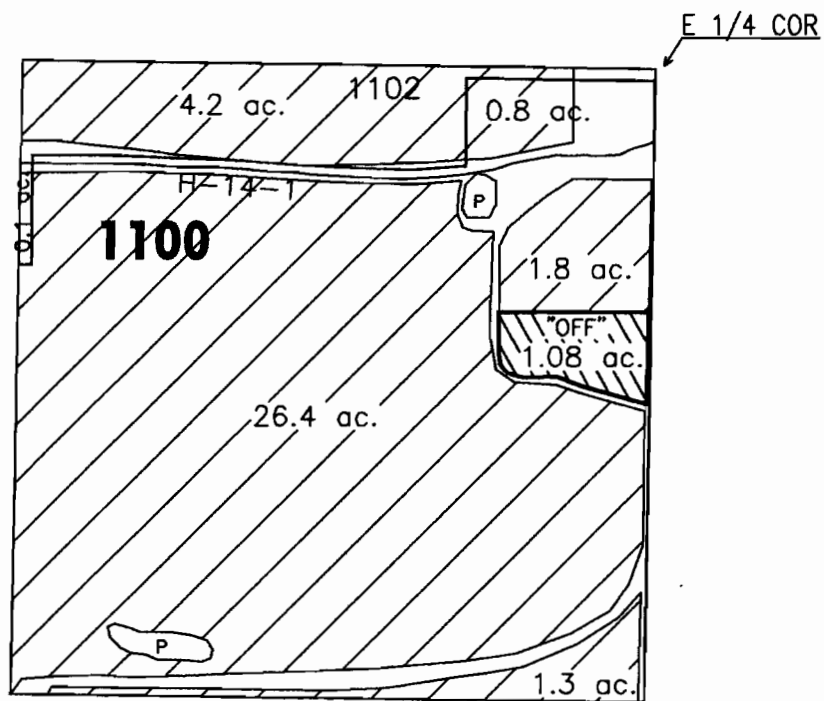
DESCHUTES COUNTY
SEC.08 T14S. R13E. W.M.



SCALE - 1" = 400'



NE 1/4 OF THE SE 1/4

DISTRICT INTERNAL
NOTICE #:T-2005-013



	'OFF' LANDS
	EXISTING WATER RIGHTS

"OFF" MAP



APPLICATION FOR WATER RIGHT TRANSFER
COID FOR HEIRS OF DANIEL R. KILGORE / WASCH & GABRIELA BLAKELEY
TAXLOT #: 1100 1.08 ACRES

DATE: 04-06-05

FILE NO: E:\TRANSFER\WRTRANS05\KILGORE

1.9985

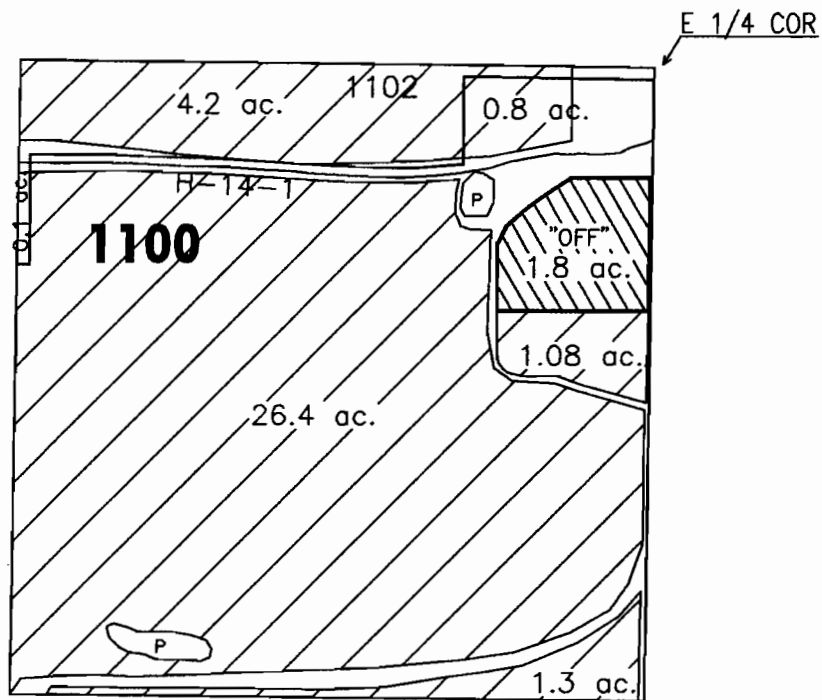
**DESCHUTES COUNTY
SEC.08 T14S. R13E. W.M.**

SCALE - 1" = 400'



NE 1/4 OF THE SE 1/4

DISTRICT INTERNAL
NOTICE #:T-2005-014



	'OFF' LANDS
	EXISTING WATER RIGHTS

"OFF" MAP



APPLICATION FOR WATER RIGHT TRANSFER
COID FOR HEIRS OF DANIEL R. KILGORE / SHARON R. WALKER
TAXLOT #: 1100 1.8 ACRES

DATE: 04-06-05

FILE NO: E:\TRANSFER\WRTRANS05\KILGORE_W

1.9985

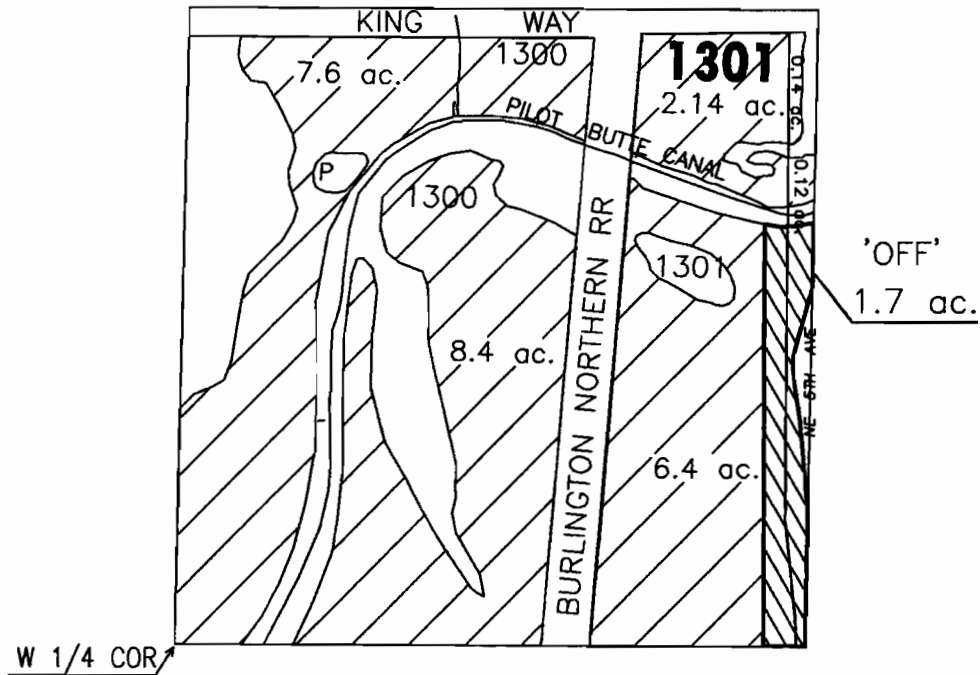
**DESCHUTES COUNTY
SEC.03 T15S. R13E. W.M.**

SCALE - 1" = 400'



SW 1/4 OF THE NW 1/4

DISTRICT INTERNAL
NOTICE #: T-2005-014



	'OFF' LANDS
	EXISTING WATER RIGHTS

"OFF" MAP



APPLICATION FOR WATER RIGHT TRANSFER
COID FOR WATSON FAMILY LLP / WALTER C. & LINDA A. CLARK (1.5)
COID FOR WATSON FAMILY LLP / SHARON R. WALKER (0.2)

TAXLOT #: 1301

1.7 ACRES

DATE: 04-06-05

FILE NO: E:\TRANSFER\WRTRANS05\WATSON

T-9985

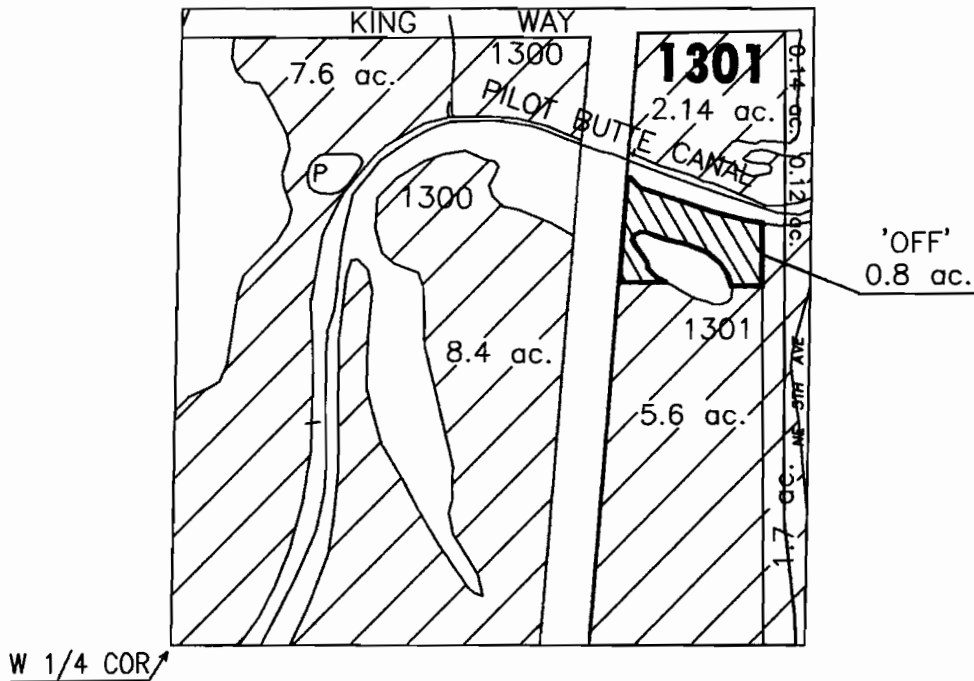
**DESCHUTES COUNTY
SEC.03 T15S. R13E. W.M.**


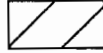
SCALE - 1" = 400'



SW 1/4 OF THE NW 1/4

DISTRICT INTERNAL
NOTICE #: T-2005-017



	'OFF' LANDS
	EXISTING WATER RIGHTS

"OFF" MAP



APPLICATION FOR WATER RIGHT TRANSFER
COID FOR WATSON FAMILY LLP / KEVIN B. & LAURA A. BRISTOW
TAXLOT #: 1301 0.8 ACRES

DATE: 04-07-05

FILE NO: E:\TRANSFER\WRTRANS05\WATSON2

7.9985

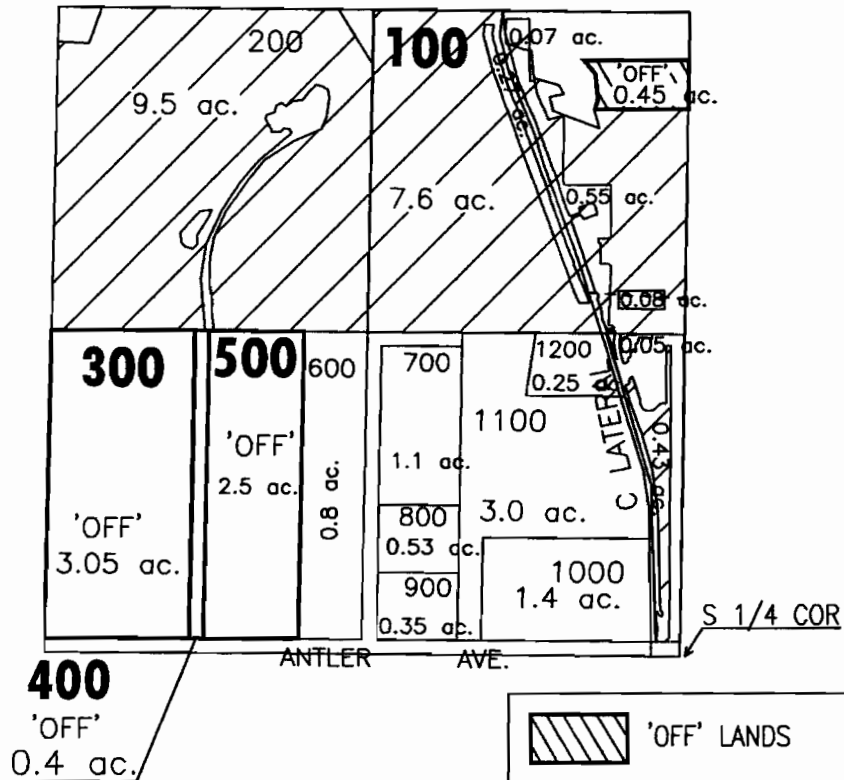
DESCHUTES COUNTY SEC.08 T15S. R13E. W.M.

SCALE - 1" = 400'



SE 1/4 OF THE SW 1/4

DISTRICT INTERNAL
NOTICE #: T-2005-018



"OFF" MAP



APPLICATION FOR WATER RIGHT TRANSFER
COID FOR ELK HORN DEVELOPMENT / DWAIN & CHERYL HERSCHBACH
TAXLOT #: 100, 300, 400, 500 6.4 ACRES

DATE: 04-11-05

FILE NO: E:\TRANSFER\WRTRANS05\ELKHORN

1-9985

**DESCHUTES COUNTY
SEC. 16 T15S. R13E. W.M.**

SCALE - 1" = 400'

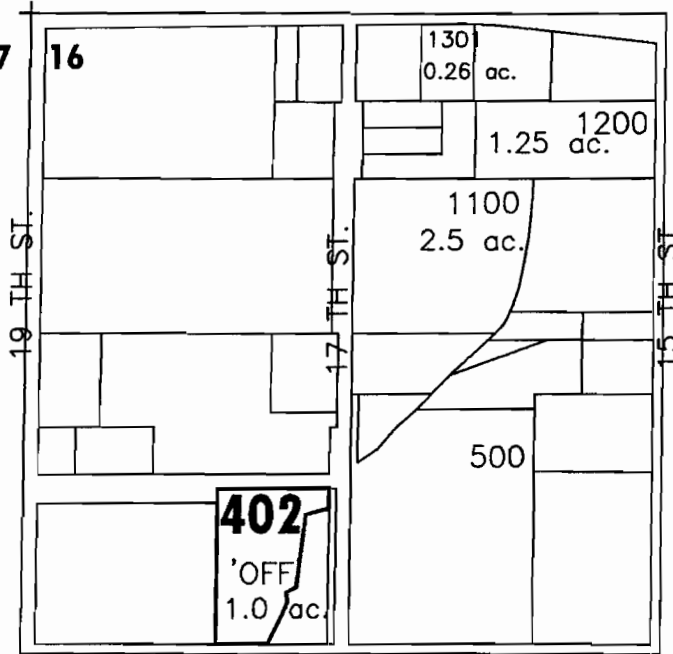


NW 1/4 OF THE NW 1/4

DISTRICT INTERNAL
NOTICE #: T-2005-017

08 09

17



ac. PARCELS W/ WATER RIGHTS

ac. 'OFF' LAND PARCELS

"OFF" MAP



APPLICATION FOR WATER RIGHT TRANSFER
CHURCH OF JESUS CHRIST OF THE LATTER-DAY SAINTS /
KEVIN B. & LAURA A. BRISTOW
TAXLOT #: 402 1.0 ACRES

DATE: 04-11-05

FILE NO: E:\TRANSFER\WRTRANS05\LDS

1.9985

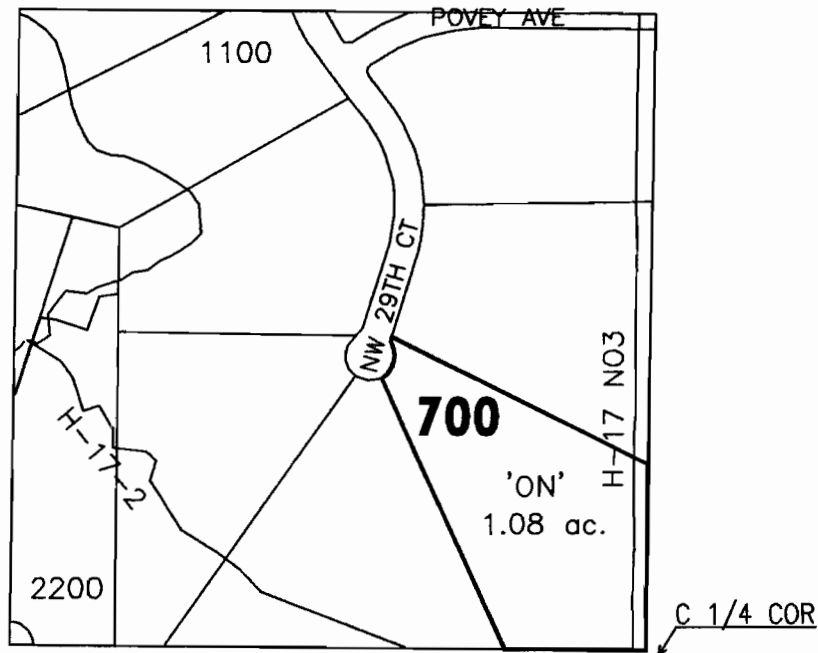
**DESCHUTES COUNTY
SEC.05 T14S. R13E. W.M.**

SCALE - 1" = 400'



SE 1/4 OF THE NW 1/4

DISTRICT INTERNAL
NOTICE #: T-2005-013



"ON" MAP

ac. PARCELS W/ WATER RIGHTS

ac. 'ON' LAND PARCELS



APPLICATION FOR WATER RIGHT TRANSFER
COID FOR HEIRS OF DANIEL R. KILGORE / WASCH & GABRIELA BLAKELEY

TAXLOT #: 700

1.08 ACRES

DATE: 04-06-05

FILE NO: E:\TRANSFER\WRTRANS05\BLAKELEY

1-9985

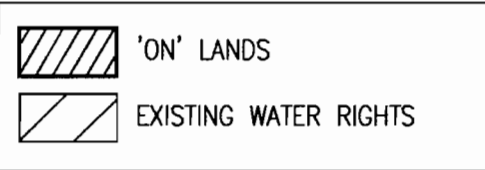
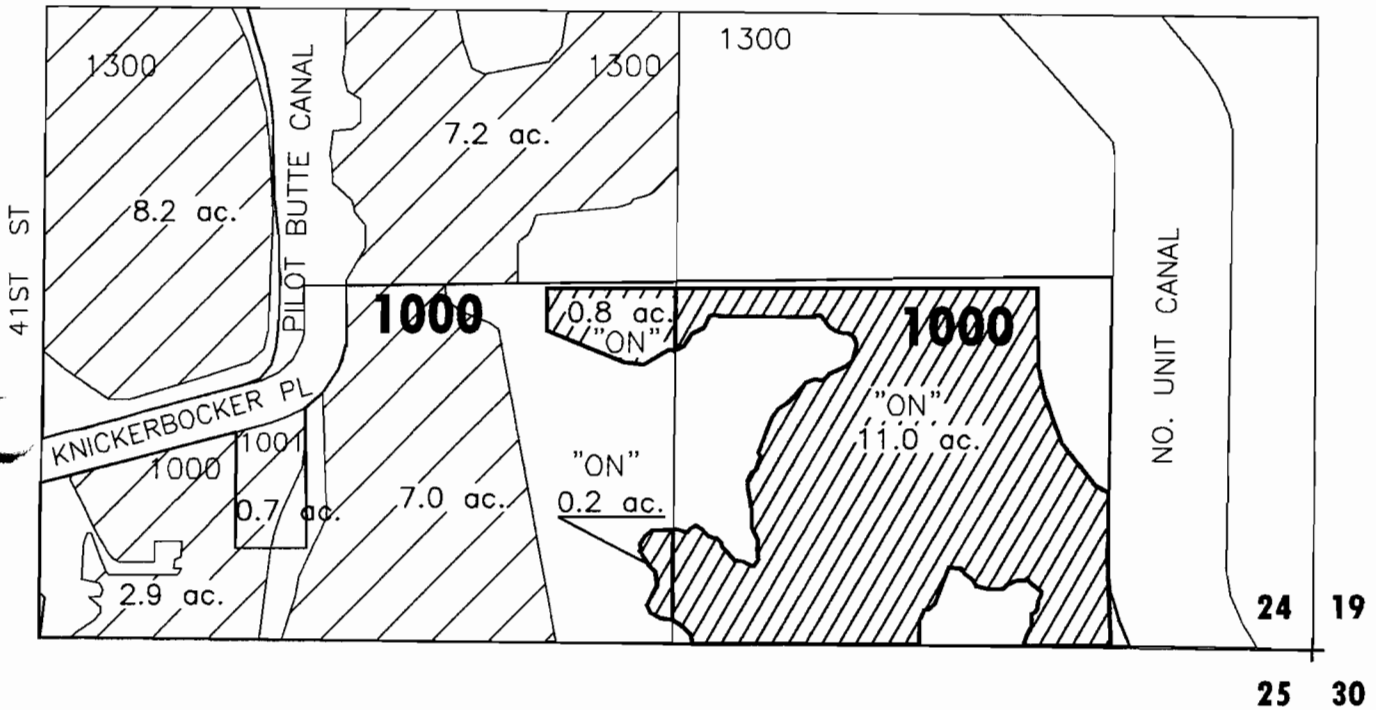
DESCHUTES COUNTY SEC. 24 T14S. R13E. W.M.

SCALE - 1" = 400'



S 1/2 OF THE SE 1/4

DISTRICT INTERNAL
NOTICE #: T-2005-018



"ON" MAP



APPLICATION FOR WATER RIGHT TRANSFER
COID (WATSON FAMILY LLP) / DWAIN & CHERYL C. HERSCHBACH (5.6)
COID (ELK HORN DEV) / DWAIN & CHERYL C. HERSCHBACH (6.4)
TAXLOT #: 1000 11.0 ACRES

DATE: 04-12-05

FILE NO: E:\TRANSFER\WRTRANS05\HERSCHBACH

x.9985

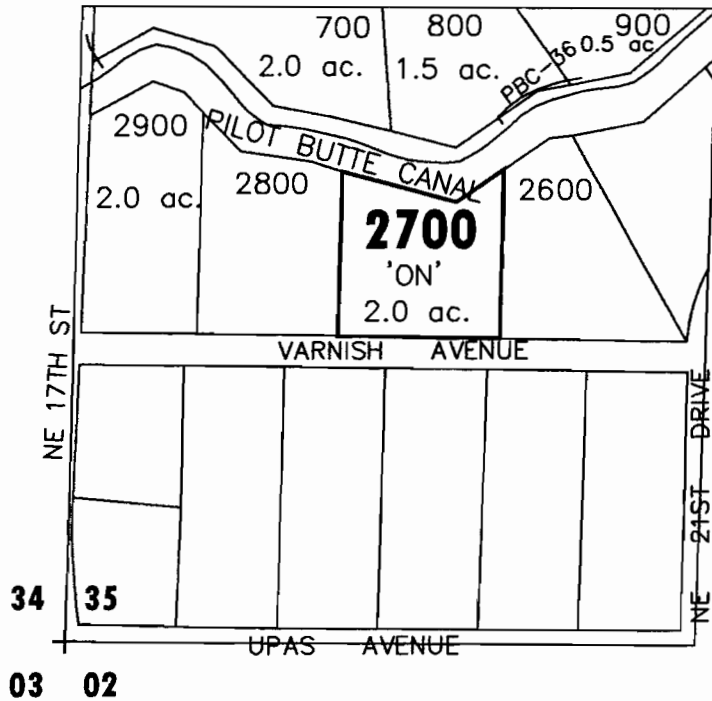
**DESCHUTES COUNTY
SEC.35 T14S. R13E. W.M.**

SCALE - 1" = 400'



SW 1/4 OF THE SW 1/4

DISTRICT INTERNAL
NOTICE #: T-2005-014



ac. PARCELS W/ WATER RIGHTS

ac. 'ON' LAND PARCELS

"ON" MAP



APPLICATION FOR WATER RIGHT TRANSFER
COID FOR WATSON FAMILY LLP / SHARON R. WALKER (0.2)
COID FOR HEIRS OF DANIEL R. KILGORE / SHARON R. WALKER (1.8)
TAXLOT #: 2700 2.0 ACRES

DATE: 04-06-05

FILE NO: E:\TRANSFER\WRTRANS05\WALKER

1-9985

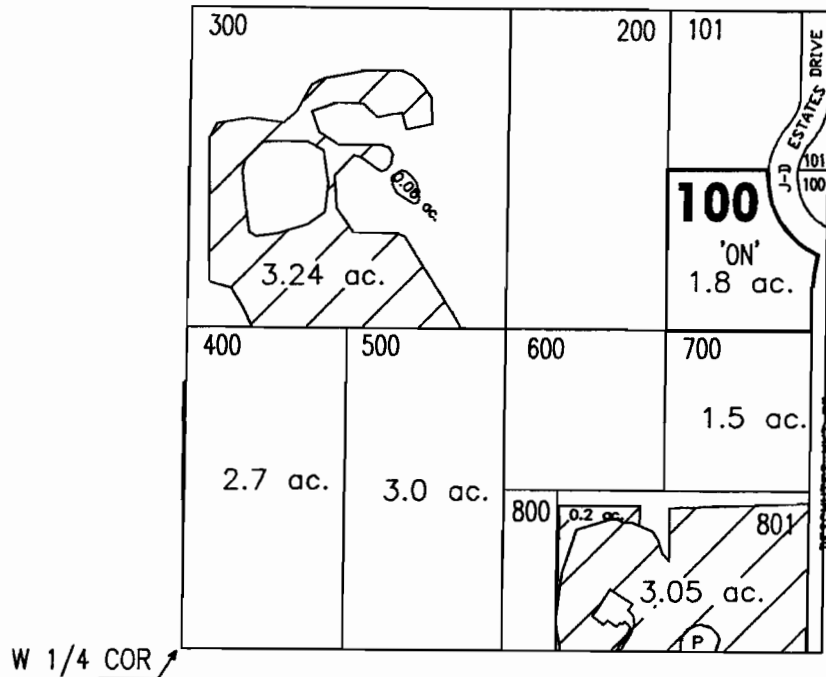
DESCHUTES COUNTY SEC.14 T17S. R12E. W.M.

SCALE - 1" = 400'



SW 1/4 OF THE NW 1/4

DISTRICT INTERNAL
NOTICE #: T-2005-017



/ /	EXISTING WATER RIGHTS
# ac.	'ON' LAND PARCELS
# ac.	PARCELS W/ WATER RIGHTS

"ON" MAP



APPLICATION FOR WATER RIGHT TRANSFER
 COID FOR WATSON FAMILY LLP / KEVIN B. & LAURA A. BRISTOW (0.8)
 CHURCH OF JESUS CHRIST OF THE LATTER DAY SAINTS /
 KEVIN B. & LAURA A. BRISTOW (1.0)
 TAXLOT #: 100 1.8 ACRES
 DATE: 4-11-05 FILE NO: E:\TRANSFER\WRTRANS05\BRISTOW

1.9985