

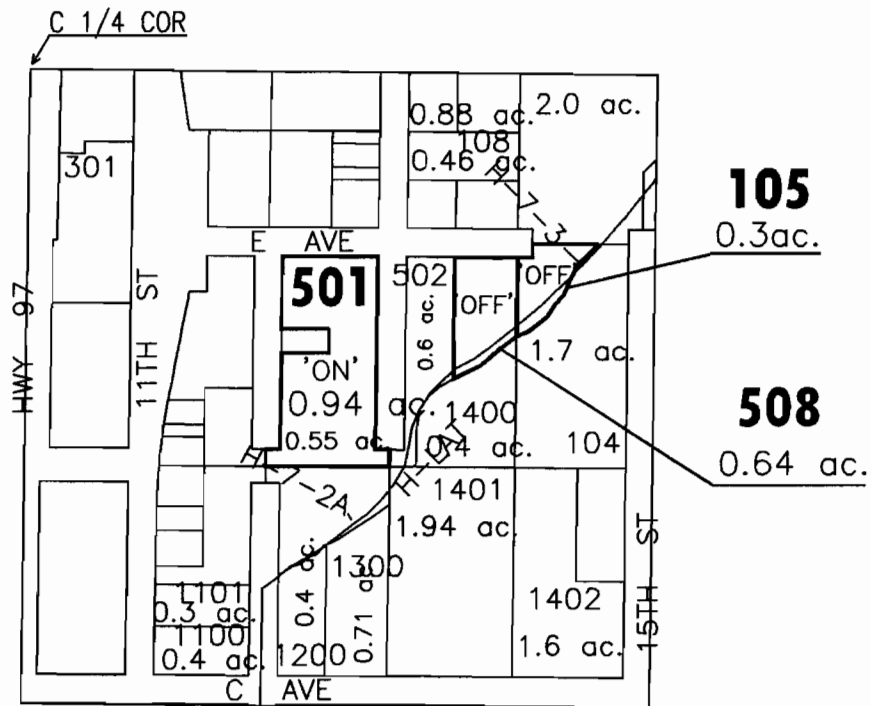
DESCHUTES COUNTY SEC.16 T14S. R13E. W.M.

SCALE - 1" = 400'



NW 1/4 OF THE SE 1/4

DISTRICT INTERNAL
NOTICE #: T-2005-021



# ac.	PARCELS W/ WATER RIGHTS
OFF/ON	'OFF/ON' LAND PARCELS

"OFF"/ "ON" MAP



APPLICATION FOR WATER RIGHT TRANSFER
ROBERT C. & JAMIE R. WILLIAMS (0.3);
ROBERT C. WILLIAMS & TERESA SKINNER (0.64) /
ROBERT C. WILLIAMS & TERESA SKINNER
TAXLOT #: 105, 501, 508 0.94 ACRES

DATE: 06-08-05

FILE NO: E:\TRANSFER\WRTRANS05\SKINNER

1.9981

DESCHUTES COUNTY

SEC.31 T14S. R13E. W.M.

SE 1/4 OF THE SE 1/4

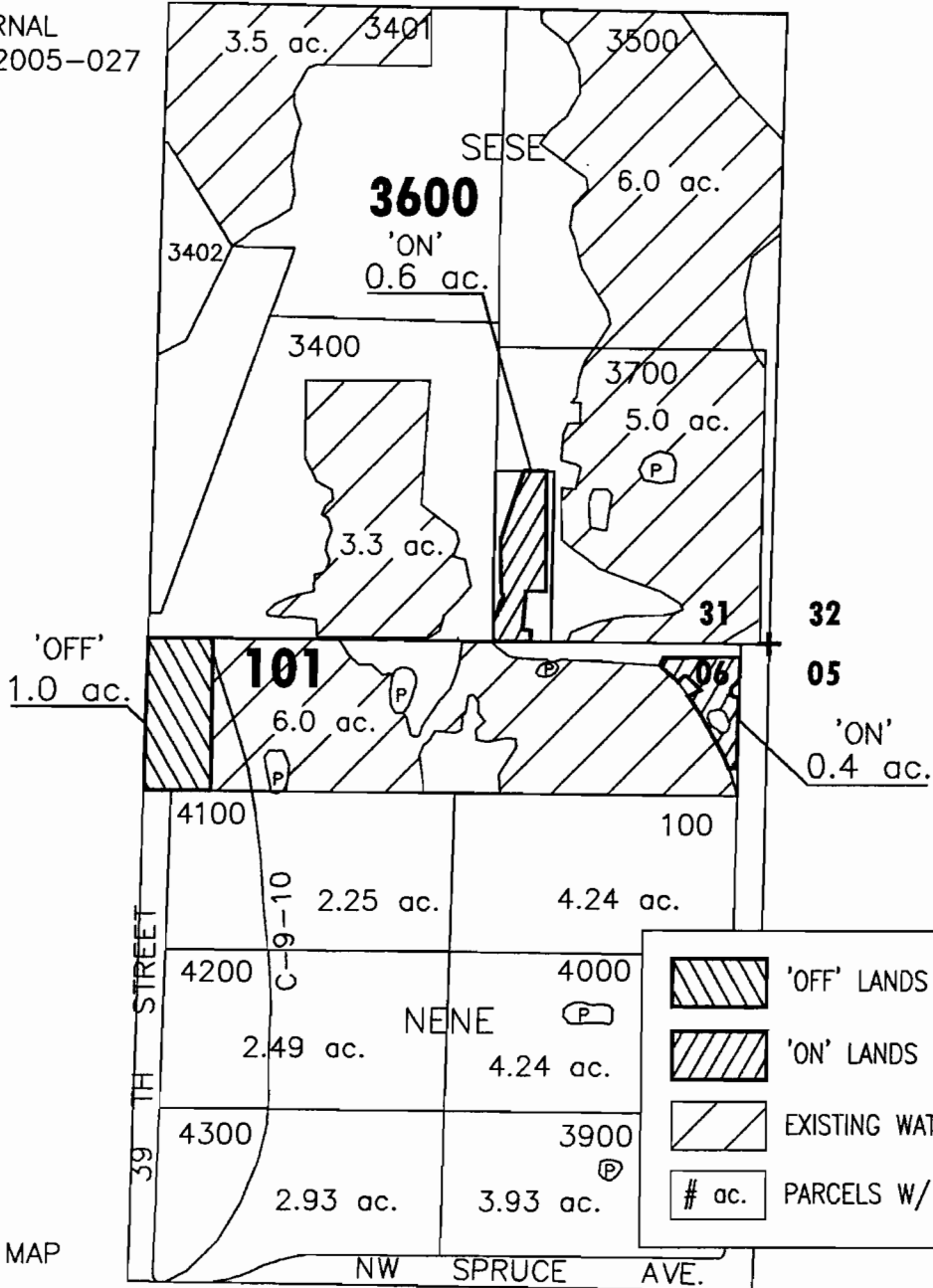
SEC.06 T15S. R13E. W.M.

NE 1/4 OF THE NE 1/4



SCALE - 1" = 400'

DISTRICT INTERNAL
NOTICE #: T-2005-027



"OFF" / "ON" MAP



APPLICATION FOR WATER RIGHT TRANSFER

THOMAS W. & LESLIE V. LEDBETTER/
THOMAS W. & LESLIE V. LEDBETTER

TAXLOT #: 3600, 101

1.0 ACRES

DATE: 06-03-05

FILE NO: E:\TRANSFER\WRTRANS05\LEDBETTER

1.998

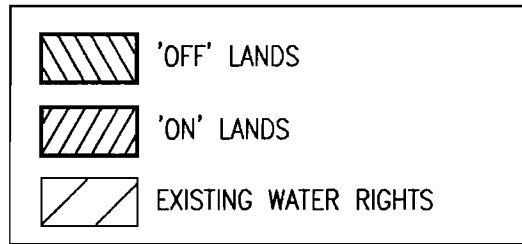
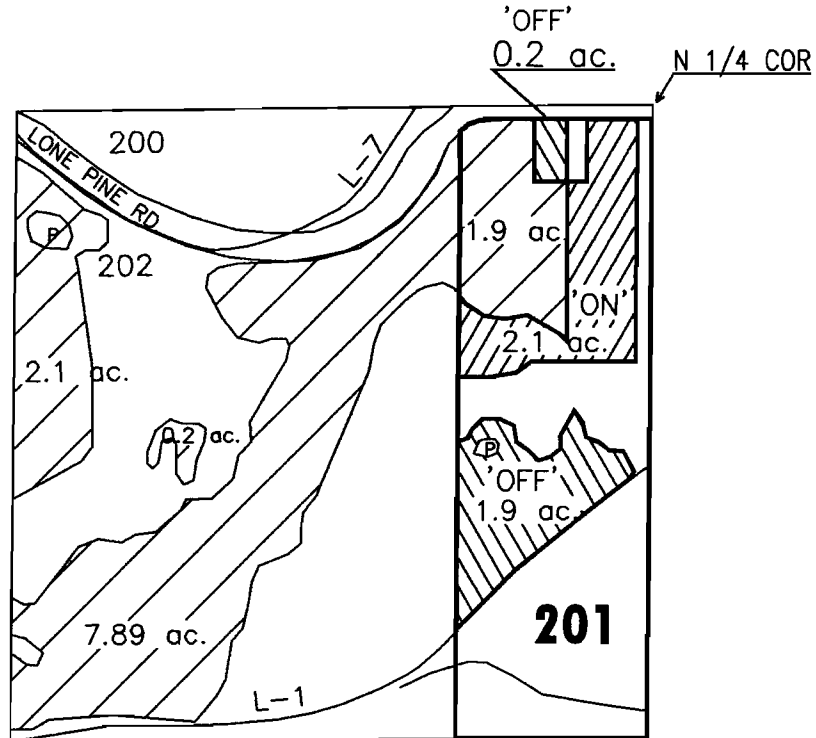
CROOK COUNTY
SEC.19 T14S. R14E. W.M.

SCALE - 1" = 400'



NE 1/4 OF THE NW 1/4

DISTRICT INTERNAL
NOTICE #: T-2005-023



"OFF" / "ON" MAP



APPLICATION FOR WATER RIGHT TRANSFER
MARLYS M. CHITWOOD / MARLYS M. CHITWOOD
TAXLOT #: 201 2.1 ACRES

DATE: 5-27-05

FILE NO: E:\TRANSFER\WRTRANS05\CHITWOOD

1-9981

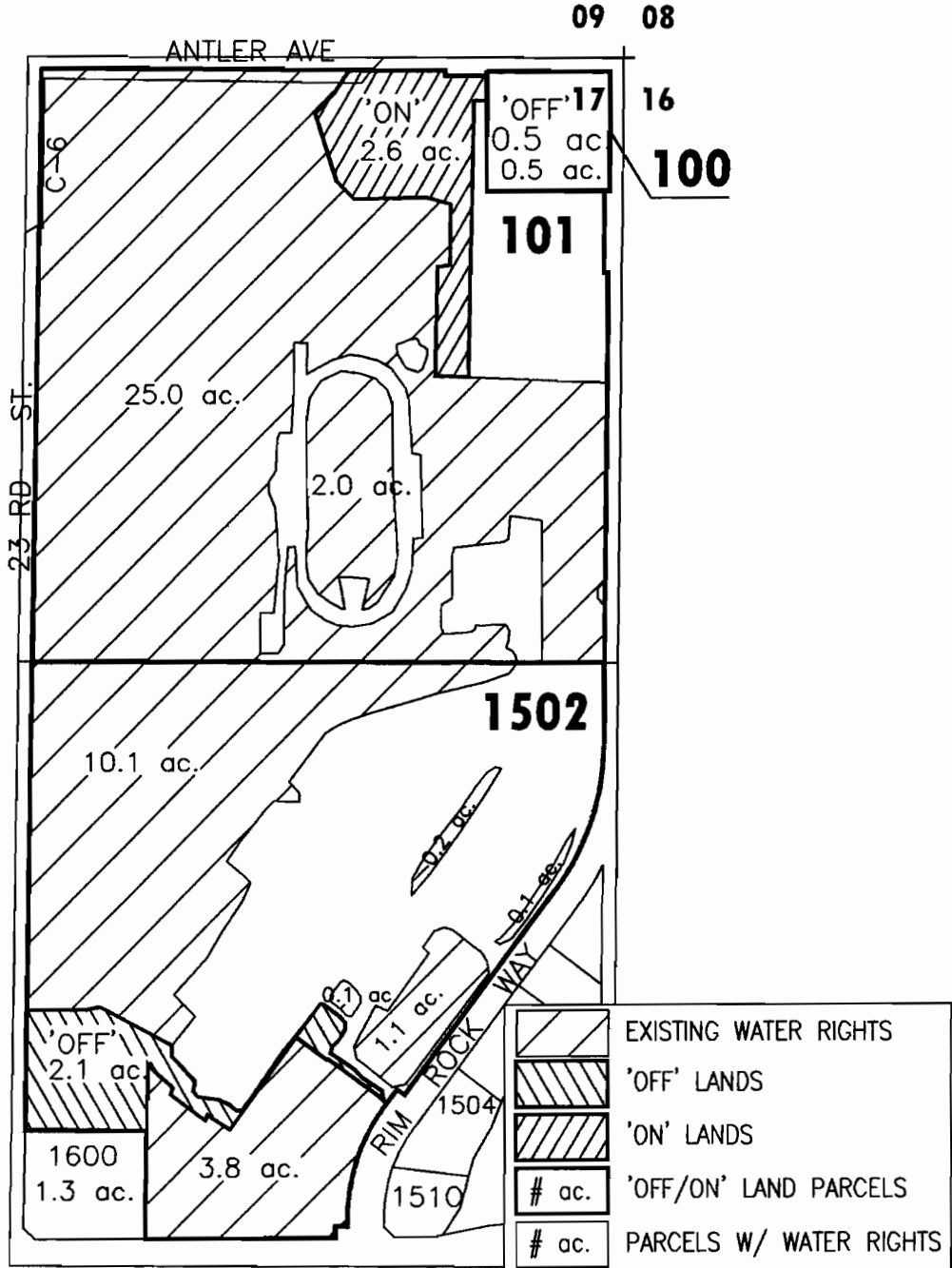
DESCHUTES COUNTY SEC. 17 T15S. R13E. W.M.

SCALE - 1" = 400'



E 1/2 OF THE NE 1/4

DISTRICT INTERNAL
NOTICE #: T-2005-025



"OFF" / "ON" MAP



APPLICATION FOR WATER RIGHT TRANSFER
REDMOND SCHOOL DISTRICT 2 J / REDMOND SCHOOL DISTRICT 2 J
TAXLOT #: 100, 101, 1502 2.6 ACRES

DATE: 5-27-05

FILE NO: E:\TRANSFER\WRTRANS05\REDMOND SCHOOL

1-9981

CROOK COUNTY
SEC.04 T16S. R14E. W.M.

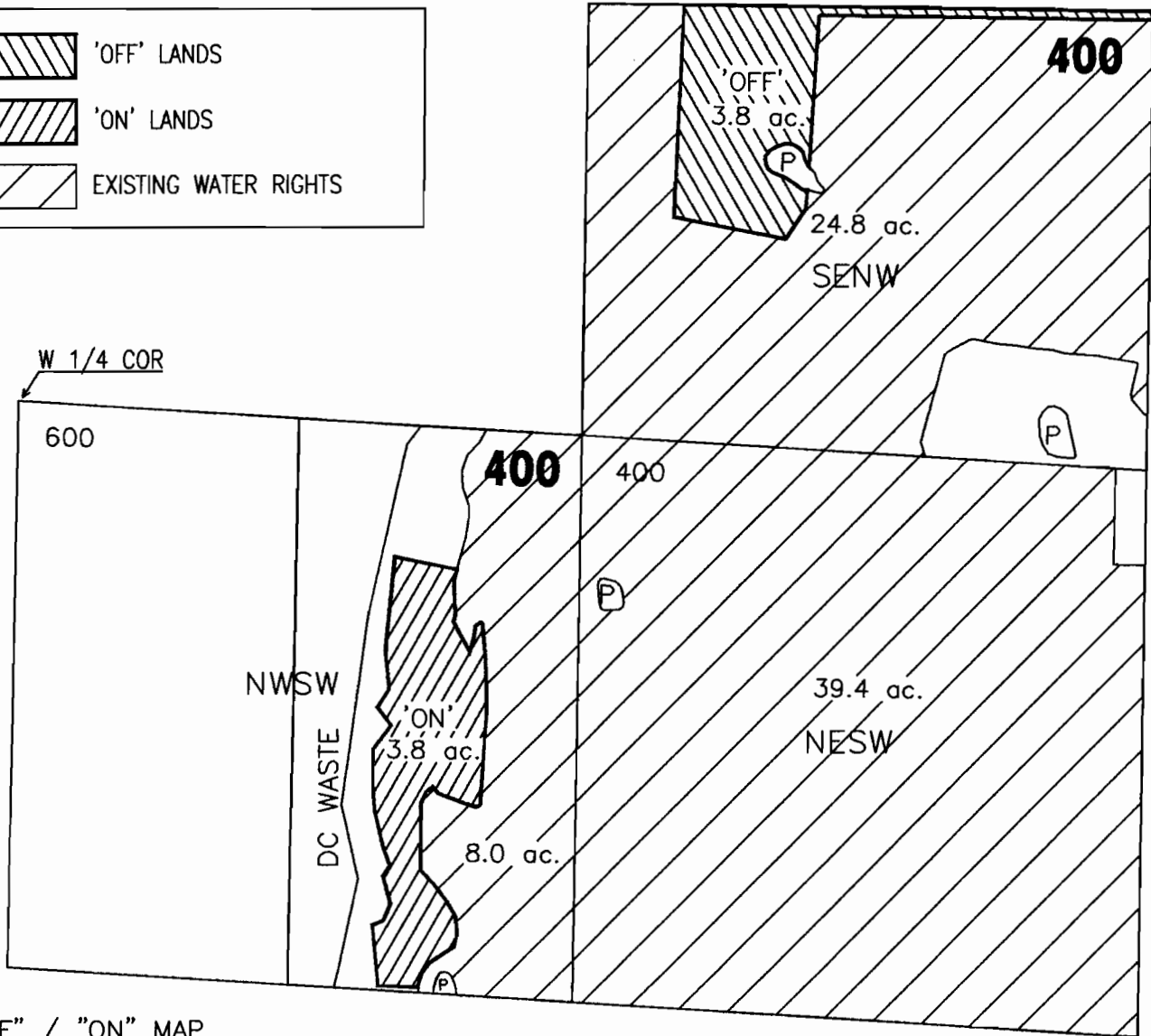
SCALE - 1" = 400'



SE 1/4 OF THE NW 1/4, NW 1/4 OF THE SW 1/4

DISTRICT INTERNAL
NOTICE #: T-2005-028

	'OFF' LANDS
	'ON' LANDS
	EXISTING WATER RIGHTS



"OFF" / "ON" MAP



APPLICATION FOR WATER RIGHT TRANSFER
GARY A. & BONNIE K. WARD TRUST/
GARY A. & BONNIE K. WARD TRUST

TAXLOT #: 400

3.8 ACRES

DATE: 06-03-05

FILE NO: E:\TRANSFER\WRTRANS05\WARD

1-9981

CROOK COUNTY

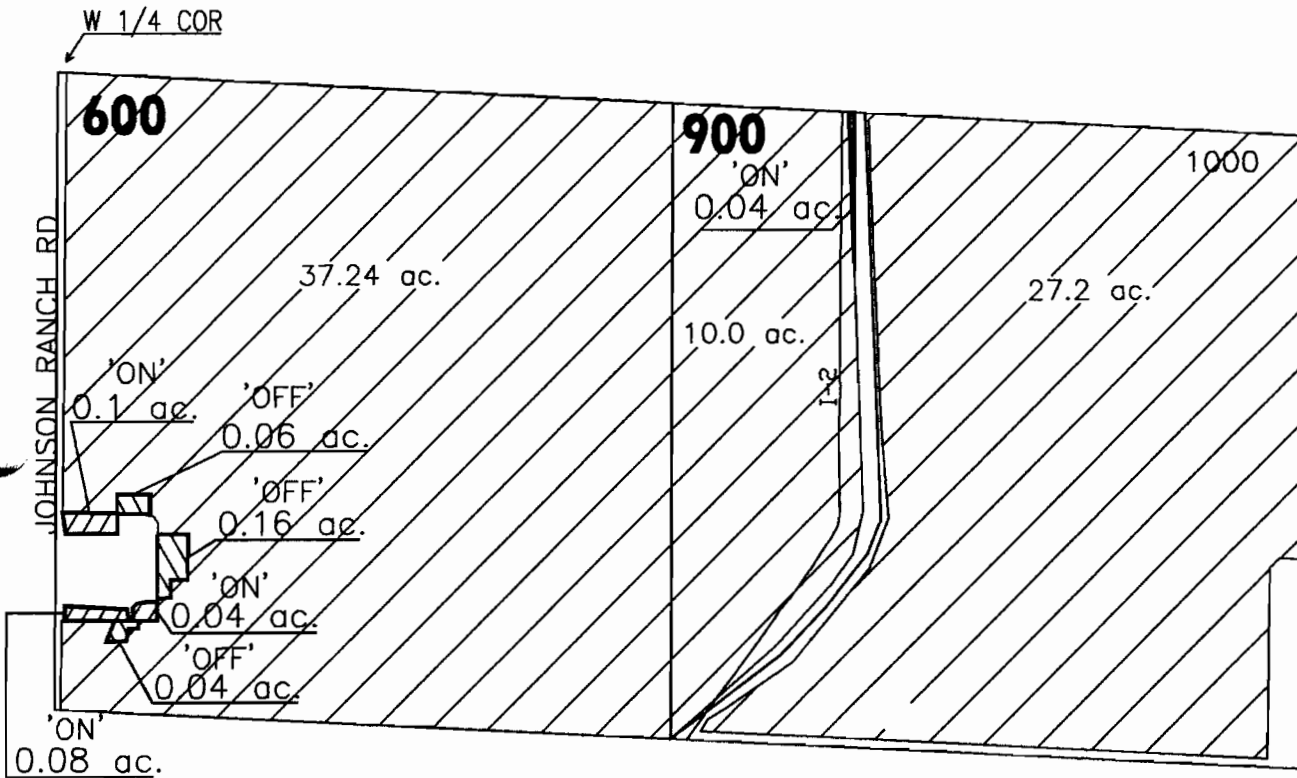
SEC.14 T17S. R14E. W.M.

SCALE - 1" = 400'



N 1/2 OF THE SW 1/4

DISTRICT INTERNAL
NOTICE #: T-2005-022



	'OFF' LANDS
	'ON' LANDS
	EXISTING WATER RIGHTS

"OFF" / "ON" MAP



APPLICATION FOR WATER RIGHT TRANSFER
KEITH & BARBARA GREGORY / KEITH & BARBARA GREGORY
TAXLOT #: 600, 900 0.26 ACRES

DATE: 06-03-05

FILE NO: E:\TRANSFER\WRTRANS05\GREGORY

T-9981

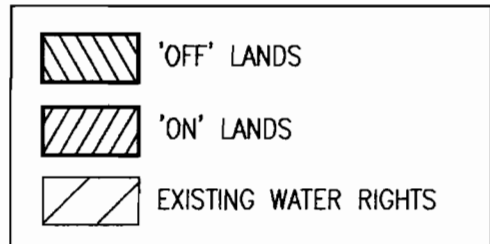
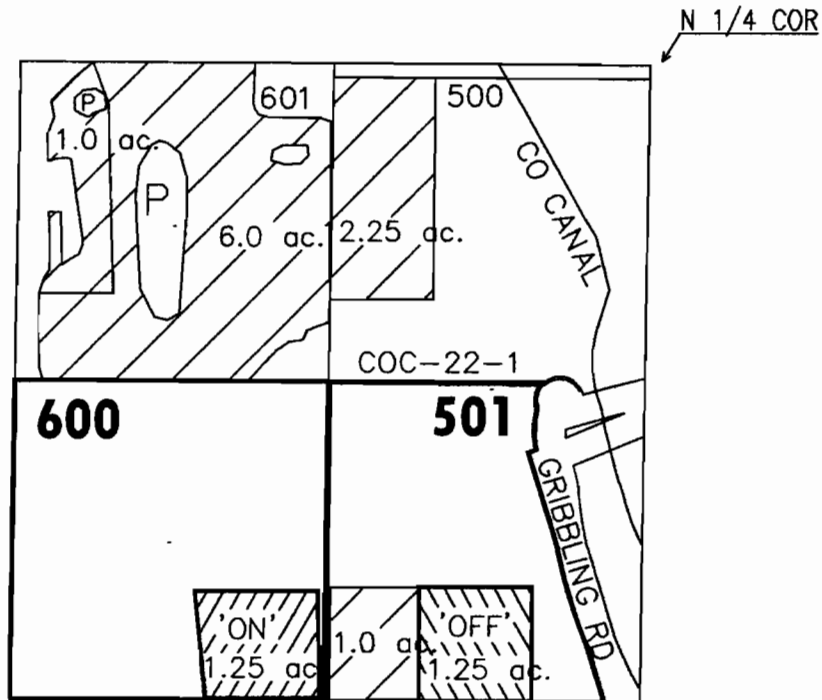
**DESCHUTES COUNTY
SEC.09 T18S. R13E. W.M.**

SCALE - 1" = 400'



NE 1/4 OF THE NW 1/4

DISTRICT INTERNAL
NOTICE #: T-2005-024



"OFF" / "ON" MAP



APPLICATION FOR WATER RIGHT TRANSFER
KEN & CAROL LEE CLOUSE / KEN & CAROL LEE CLOUSE
TAXLOT #: 501, 600 1.25 ACRES

DATE: 5-27-05

FILE NO: E:\TRANSFER\WRTRANS05\CLOUSE

1-998