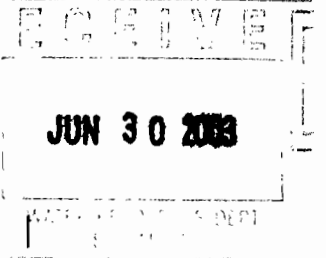


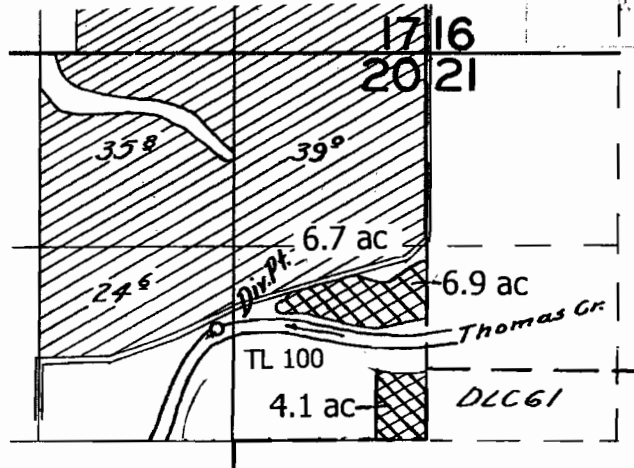
TRANSFER APPLICATION MAP
 In the name of Miller Forest, Inc.



FROM DIV. PT.
 & PLACE OF USE:

T 10 S R 2 W, W.M.

Div. Pt. is 770' N & 1440' W
 from the E 1/4 Corner section 20.

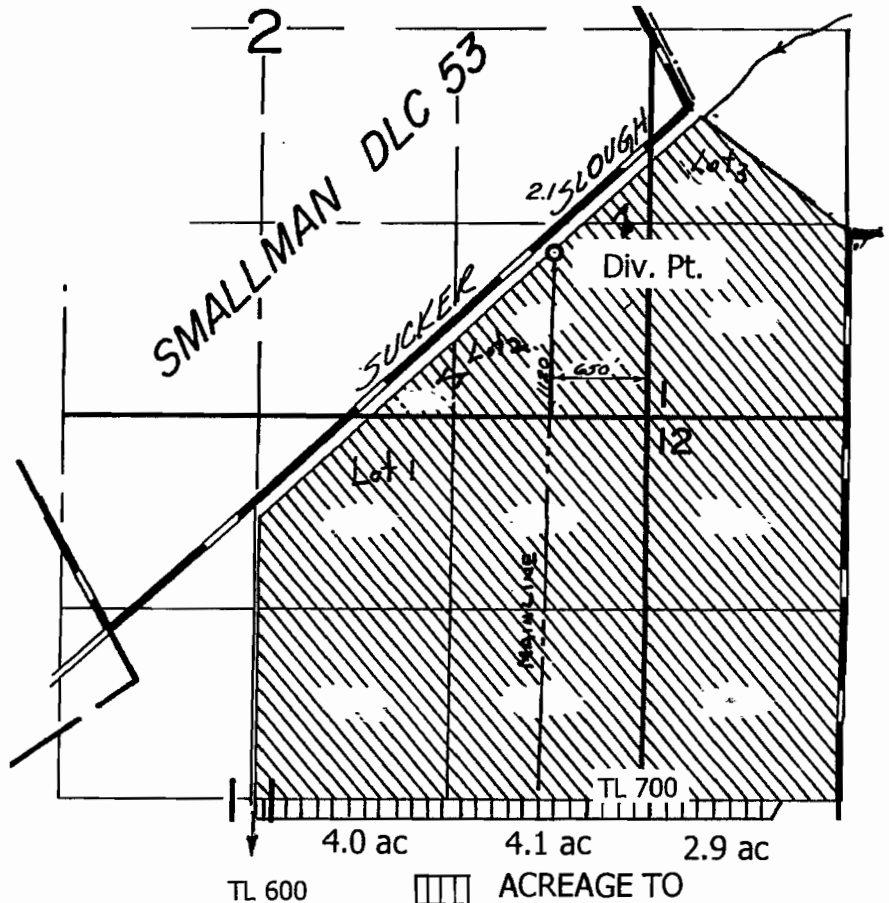


ACREAGE FROM

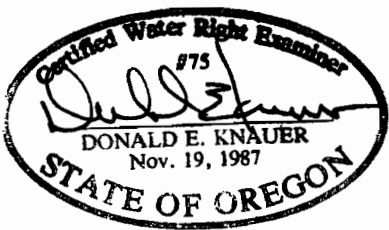
TO DIV. PT.
 & PLACE OF USE:

Div. Pt. is 1120' N & 650' W
 from the SE corner section 2

T 10 S R 2 W, W.M.



ACREAGE TO



Scale 1" = 1320'

T-9486