

RECEIVED

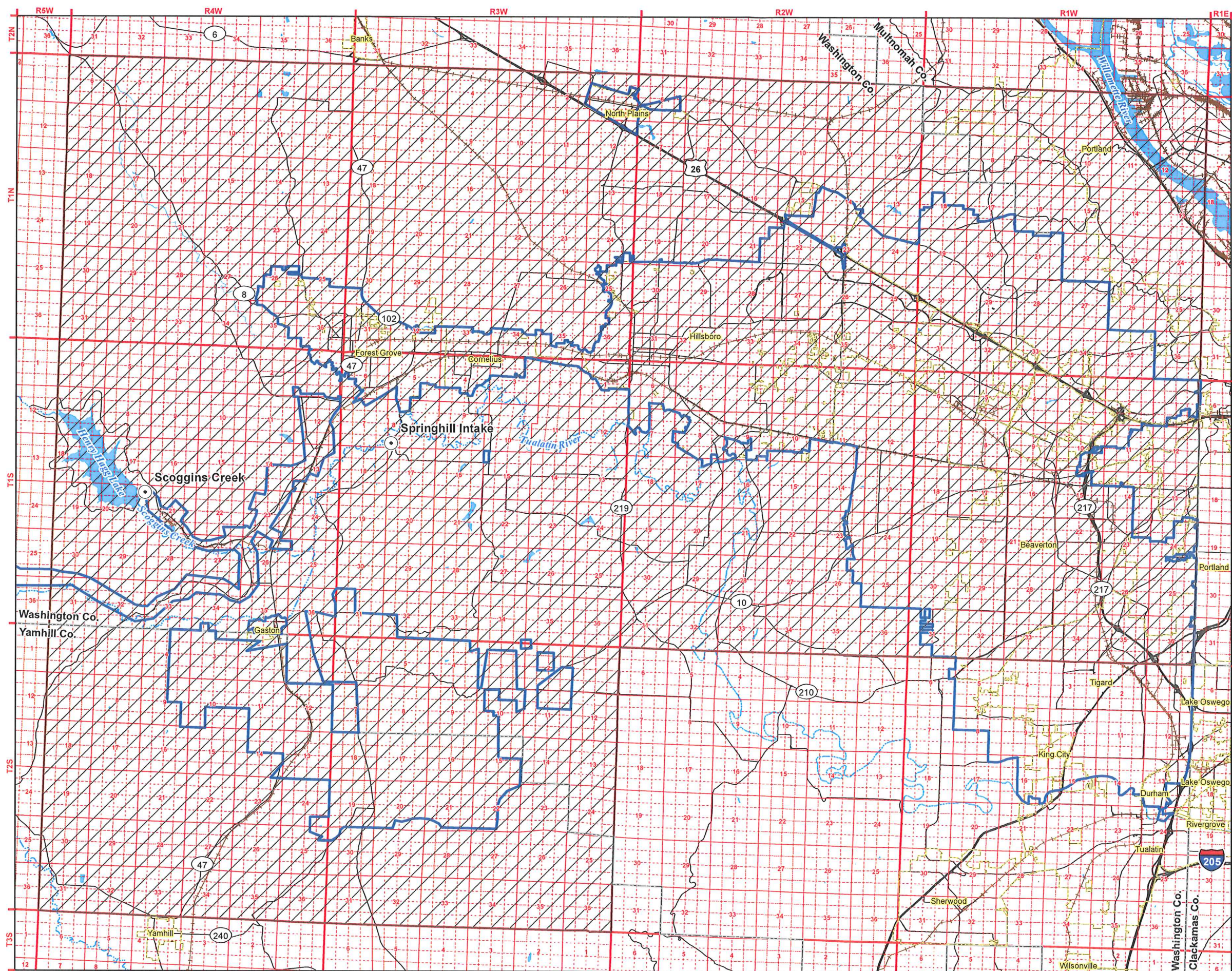
NOV 17 2010

WATER RESOURCES DEPT
SALEM, OREGON

Attachment 2
Current and Proposed Points of Diversion and
Place of Use Maps

Application for a Permit Amendment – Permit S-50879

T 11155

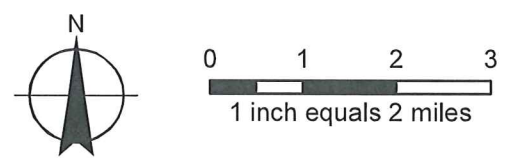


**Permit Amendment
Place of Use Map**
Permit S-50879

- LEGEND**
- ⊙ Point of Diversion (POD)
 - ▭ Authorized Place of Use (POU)
 - ⊕ JWC Service Area Boundary
 - City Boundary
 - ▭ County Boundary
 - ↘ Roads
 - +— Railroads
 - ~ Watercourses
 - ⊕ Waterbodies

RECEIVED
NOV 17 2010
WATER RESOURCES DEPT
SALEM, OREGON

DISCLAIMER
This map was prepared for the purpose of identifying the location of a water right only and it is not intended to provide legal dimensions or location of property ownership lines.



MAP NOTES:
Projection: Oregon State Plane North Zone
Datum: North American Datum of 1983
Date: October 20, 2010
Data Sources: OWRD, METRO



**Permit Amendment
Point of Diversion Map**

Permit S-50879

LEGEND

- ⊙ Authorized Point of Diversion (POD)
- ⊕ Proposed Point of Diversion (POD)
- ⊕ JWC Service Area Boundary
- Roads
- Railroads
- Watercourses
- Waterbodies

RECEIVED

NOV 17 2010

WATER RESOURCES DEPT
SALEM, OREGON

POD LOCATION DESCRIPTIONS

Scoggins Creek
Located 707 feet South and 441 feet West from NE corner, Section 20, Township 1 South, Range 4 West, (W.M.)

Springhill Intake
Located 500 feet North and 410 feet East from SW corner, Section 8, Township 1 South, Range 3 West, (W.M.)

DISCLAIMER

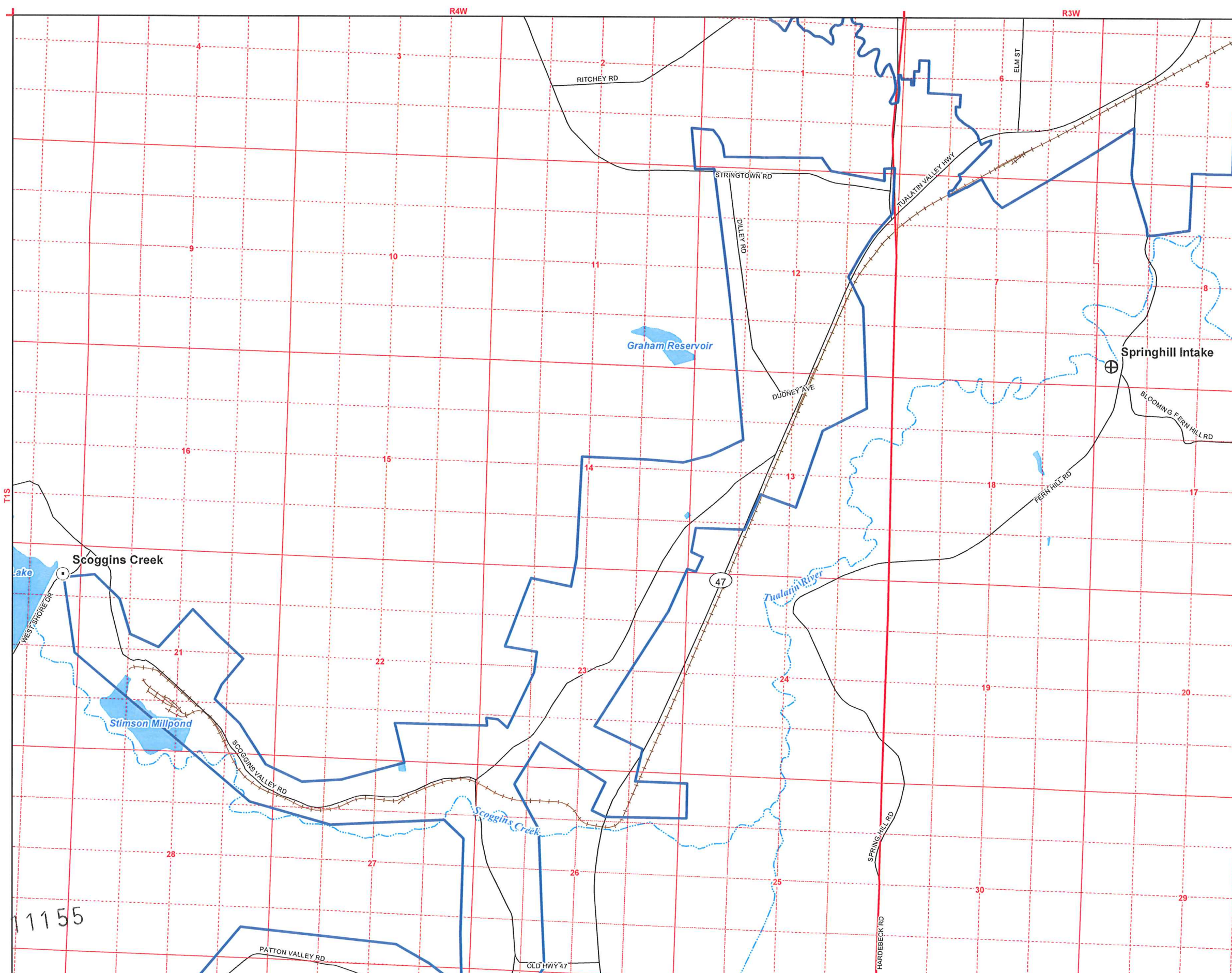
This map was prepared for the purpose of identifying the location of a water right only and it is not intended to provide legal dimensions or location of property ownership lines.



0 1,320 2,640 3,960
1 inch equals 2,640 feet

MAP NOTES:

Projection: Oregon State Plane North Zone
Datum: North American Datum of 1983
Date: October 20, 2010
Data Sources: OWRD, METRO



T 11155

RECEIVED

NOV 17 2010

WATER RESOURCES DEPT
SALEM, OREGON

Attachment 3

Map Scale Waiver

Application for a Permit Amendment – Permit S-50879

T 11155

Kim Grigsby

From: Kelly Starnes [starnepk@wrd.state.or.us]
Sent: Thursday, September 30, 2010 2:40 PM
To: Kim Grigsby
Subject: RE: map scale waiver request

Kim –

I have reviewed the maps and the Department can accept them as part of the permit amendment application.

Please include a copy of this e-mail with the maps.

Kelly

From: Kim Grigsby [mailto:KGrigsby@gsiws.com]
Sent: Thursday, September 30, 2010 9:56 AM
To: patrick.k.starnes@state.or.us
Subject: map scale waiver request

Hi Kelly,

We are developing maps for a permit amendment for the JWC's Permit S-50879. Because of the permit's very large place of use, we cannot easily develop a place of use map that meets the standard map scale. Similarly, the authorized POD and the proposed POD are a significant distance apart, which also makes it difficult to use the standard map scale.

I would like to request a map scale waiver for both maps. The POU map has a scale of 1 inch equals 2.05 miles. The POD map has a scale of 1 inch equals 2640 feet. Both maps are attached for your review.

Please let me know if you have any questions about this request.

Thank you,
Kim

Kimberly Grigsby
Water Resources Consultant
GSI Water Solutions, Inc.
1600 SW Western Blvd, Suite 240
Corvallis, OR 97333
541-753-0745, ext. 203

RECEIVED

NOV 17 2010

WATER RESOURCES DEPT
SALEM, OREGON

T 11155

RECEIVED

NOV 17 2010

WATER RESOURCES DEPT
SALEM, OREGON

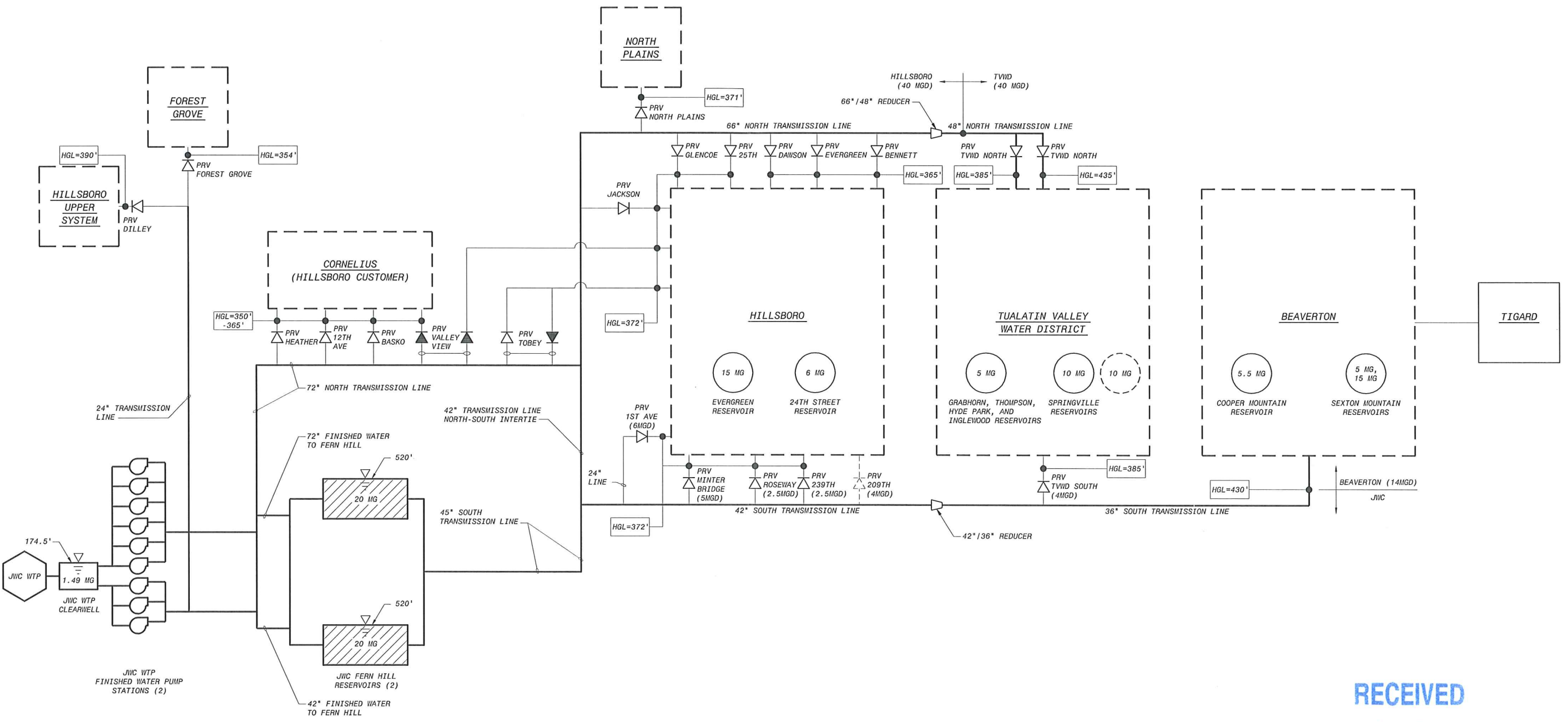
Attachment 5
Major water delivery system features
Application for a Permit Amendment – Permit S-50879

T 11155

RECEIVED

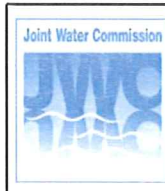
NOV 17 2010

WATER RESOURCES DEPT
SALEM, OREGON



LEGEND

	JWC TRANSMISSION MAIN		PRESSURE REDUCING VALVE (OPEN)		JWC PARTNER FUTURE MAJOR STORAGE RESERVOIRS AND CAPACITY
	JWC MEMBER LINE		(2) PRVs IN SINGLE LOCATION		RESERVOIR WITH OVERFLOW ELEVATION AND CAPACITY
	CITY BOUNDARY		FUTURE PRV		PUMP STATION
	PRESSURE REDUCING VALVE (CLOSED)		JWC PARTNER MAJOR STORAGE RESERVOIRS AND CAPACITY		HYDRAULIC GRADE SETTING (X MGD)
					JWC CONTRACT CAPACITY



JOINT WATER COMMISSION
2009 CAPITAL IMPROVEMENT MASTER PLAN
EXISTING JWC SYSTEM SCHEMATIC
AND HYDRAULIC GRADE LINES

FIGURE
2-1

T 11155

FB00000

Joint Water Commission



Tualatin Valley Water District

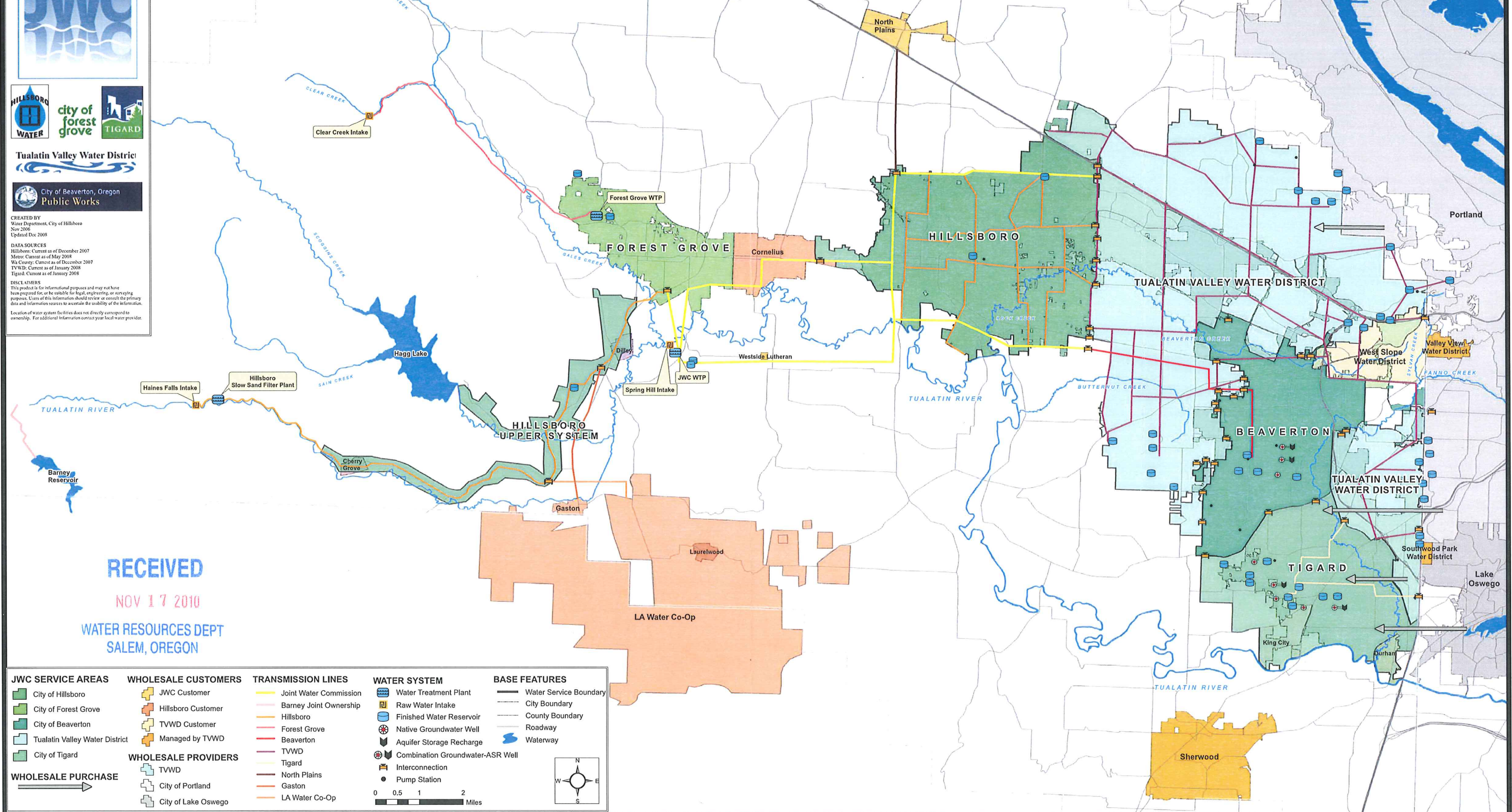
City of Beaverton, Oregon
Public Works

CREATED BY
Water Department, City of Hillsboro
Nov 2006
Updated Dec 2008

DATA SOURCES
Hillsboro: Current as of December 2007
Metro: Current as of May 2008
Wa County: Current as of December 2007
TVWD: Current as of January 2008
Tigard: Current as of January 2008

DISCLAIMERS
This product is for informational purposes and may not have been prepared for, or be suitable for legal, engineering, or surveying purposes. Users of this information should review or consult the primary data and information sources to ascertain the usability of the information.
Location of water system facilities does not directly correspond to ownership. For additional information contact your local water provider.

JOINT WATER COMMISSION WATER SOURCES AND SERVICE AREAS



RECEIVED
NOV 17 2010
WATER RESOURCES DEPT
SALEM, OREGON

JWC SERVICE AREAS	WHOLESALE CUSTOMERS	TRANSMISSION LINES	WATER SYSTEM	BASE FEATURES
City of Hillsboro	JWC Customer	Joint Water Commission	Water Treatment Plant	Water Service Boundary
City of Forest Grove	Hillsboro Customer	Barney Joint Ownership	Raw Water Intake	City Boundary
City of Beaverton	TVWD Customer	Hillsboro	Finished Water Reservoir	County Boundary
Tualatin Valley Water District	Managed by TVWD	Forest Grove	Native Groundwater Well	Roadway
City of Tigard		Beaverton	Aquifer Storage Recharge	Waterway
	WHOLESALE PROVIDERS	TVWD	Combination Groundwater-ASR Well	
	TVWD	Tigard	Interconnection	
	City of Portland	North Plains	Pump Station	
	City of Lake Oswego	Gaston		
		LA Water Co-Op		

0 0.5 1 2 Miles