

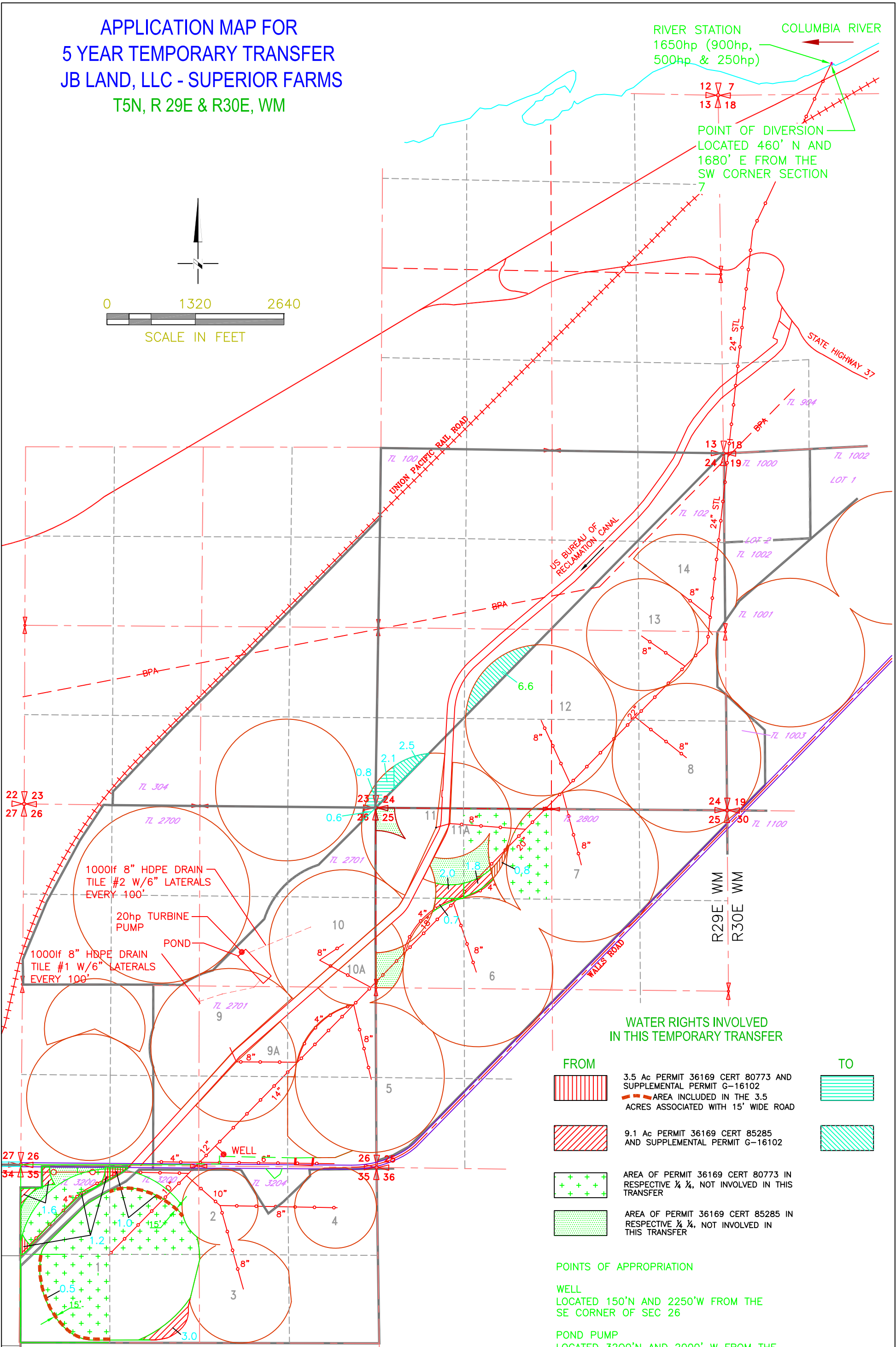
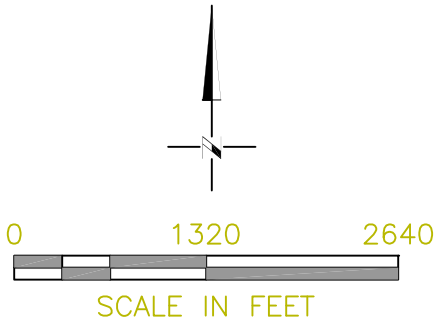
**APPLICATION MAP FOR
5 YEAR TEMPORARY TRANSFER
JB LAND, LLC - SUPERIOR FARMS
T5N, R 29E & R30E, WM**

RIVER STATION
1650hp (900hp,
500hp & 250hp)

COLUMBIA RIVER

12 7
13 18

POINT OF DIVERSION
LOCATED 460' N AND
1680' E FROM THE
SW CORNER SECTION



**WATER RIGHTS INVOLVED
IN THIS TEMPORARY TRANSFER**

FROM	TO
3.5 Ac PERMIT 36169 CERT 80773 AND SUPPLEMENTAL PERMIT G-16102 AREA INCLUDED IN THE 3.5 ACRES ASSOCIATED WITH 15' WIDE ROAD	
9.1 Ac PERMIT 36169 CERT 85285 AND SUPPLEMENTAL PERMIT G-16102	
AREA OF PERMIT 36169 CERT 80773 IN RESPECTIVE 1/4 1/4, NOT INVOLVED IN THIS TRANSFER	
AREA OF PERMIT 36169 CERT 85285 IN RESPECTIVE 1/4 1/4, NOT INVOLVED IN THIS TRANSFER	

POINTS OF APPROPRIATION

WELL
LOCATED 150'N AND 2250'W FROM THE SE CORNER OF SEC 26

POND PUMP
LOCATED 3200'N AND 2000' W FROM THE SE CORNER OF SEC 26

NOTE:
THE PURPOSE OF THIS MAP IS TO IDENTIFY THE APPROXIMATE LOCATION OF THE WATER RIGHT. IT IS NOT INTENDED TO PROVIDE INFORMATION RELATIVE TO THE LOCATION OF PROPERTY OWNERSHIP BOUNDARY LINES.