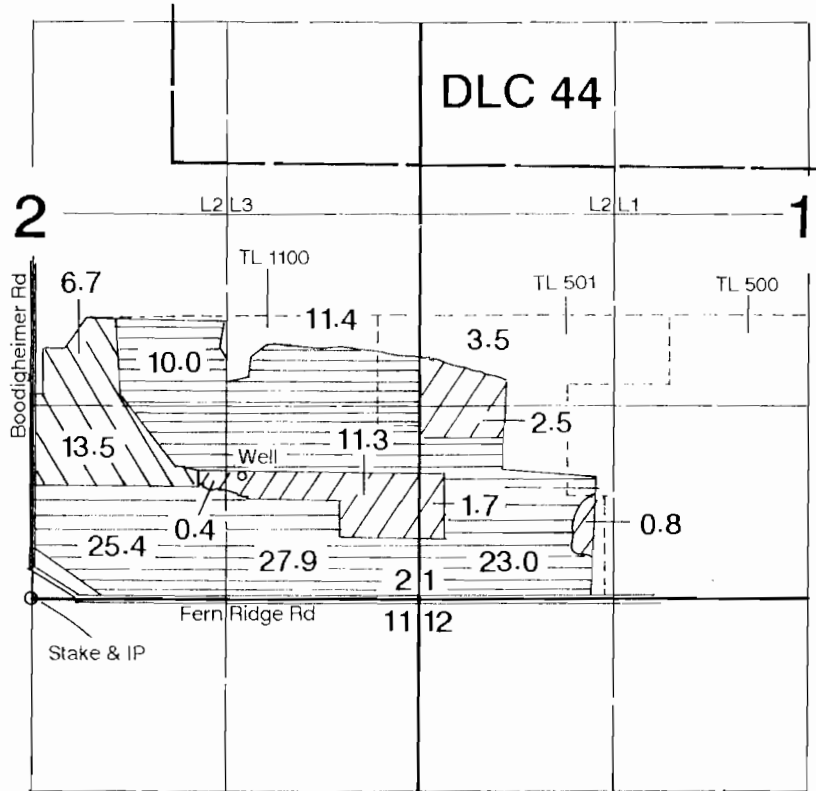


T.9S., R.1W., W.M.



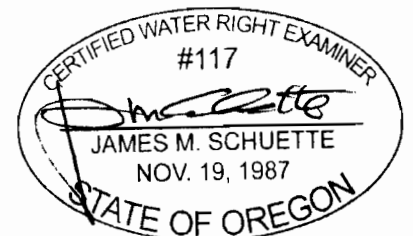
Well is located 850' N & 1440' E from S1/4 of Section 2.

Application Map

Etzel Family Trust

Transfer #: T-

This Map was Prepared for the Purpose of Identifying the Location of a Water Right Only and is Not Intended to Provide Legal Dimensions or Location of Property Ownership Lines



EXPIRES: 6/30/2012