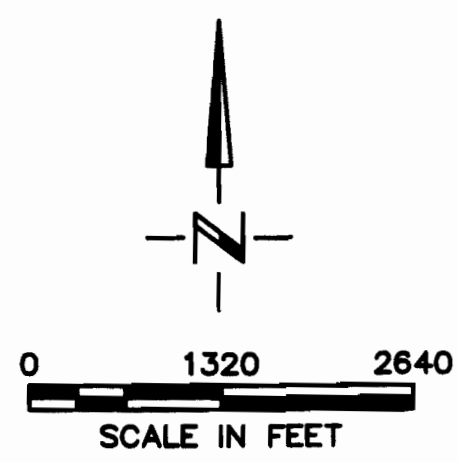


2012 ECHO IRRIGATION DISTRICT TEMPORARY TRANSFER



NOTE:
THE PURPOSE OF THIS MAP IS TO IDENTIFY THE APPROXIMATE LOCATION OF THE WATER RIGHT. IT IS NOT INTENDED TO PROVIDE INFORMATION RELATIVE TO THE LOCATION OF PROPERTY OWNERSHIP BOUNDARY LINES.

P.O.A. AS REFERENCED IN APPLICATION

WELL LEGEND

H1	HALE	NO ①	4340'N AND 1830'W FROM S1/4 COR, SEC 7 T3N R 30E W.M.
H2	HALE	NO ②	2010'N AND 1330'E FROM SW COR, SEC 6 T3N R 30E W.M.
H3	HALE	NO ③	1420'S AND 40'E FROM W1/4 COR, SEC 7 T3N R 30E W.M.
H4	HALE	NO ④	180'N AND 260'W FROM E1/4 COR, SEC 2 T3N R 29E W.M.
H5	HALE	NO ⑤	60'N AND 590'W FROM SE COR, SEC 11 T3N R 29E W.M.
H6	HALE	NO ⑥	132'N AND 2190'W FROM E1/4 COR, SEC 11 T3N R 29E W.M.
H7	HALE	NO ⑦	1010'S AND 40'E FROM NW COR, SEC 12 T3N R 29E W.M.
H8	HALE	NO ⑧	1350'S AND 50'W FROM NE COR NW 1/4 NW 1/4 SEC 14 T3N R 29E W.M.
C2	COPPINGER	NO ②	960'N AND 30'W FROM E1/4 COR, SEC 24 T3N R 29E W.M.
C3	COPPINGER	NO ③	3960'N AND 1320'W FROM SE COR, SEC 23 T3N R 29E W.M.

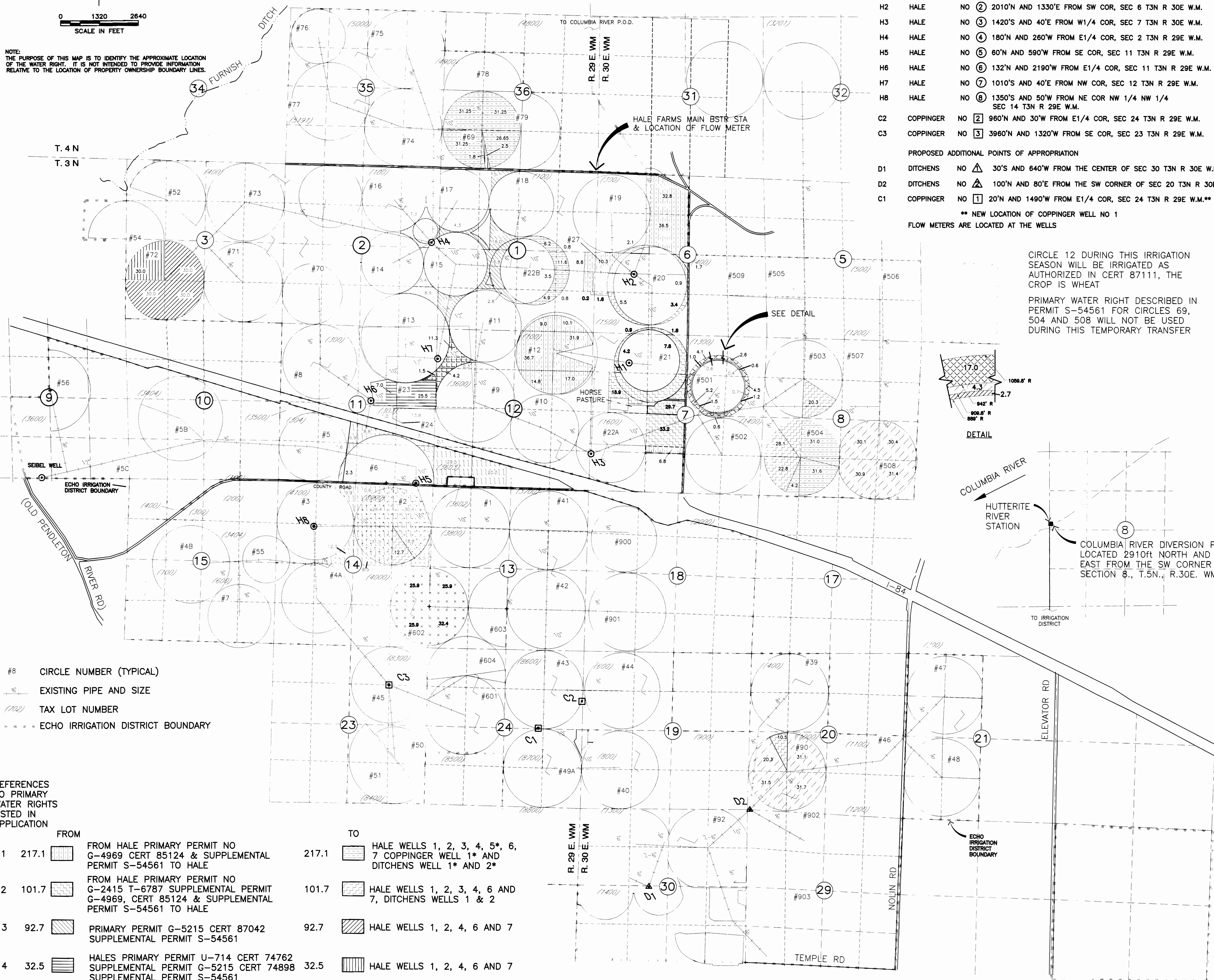
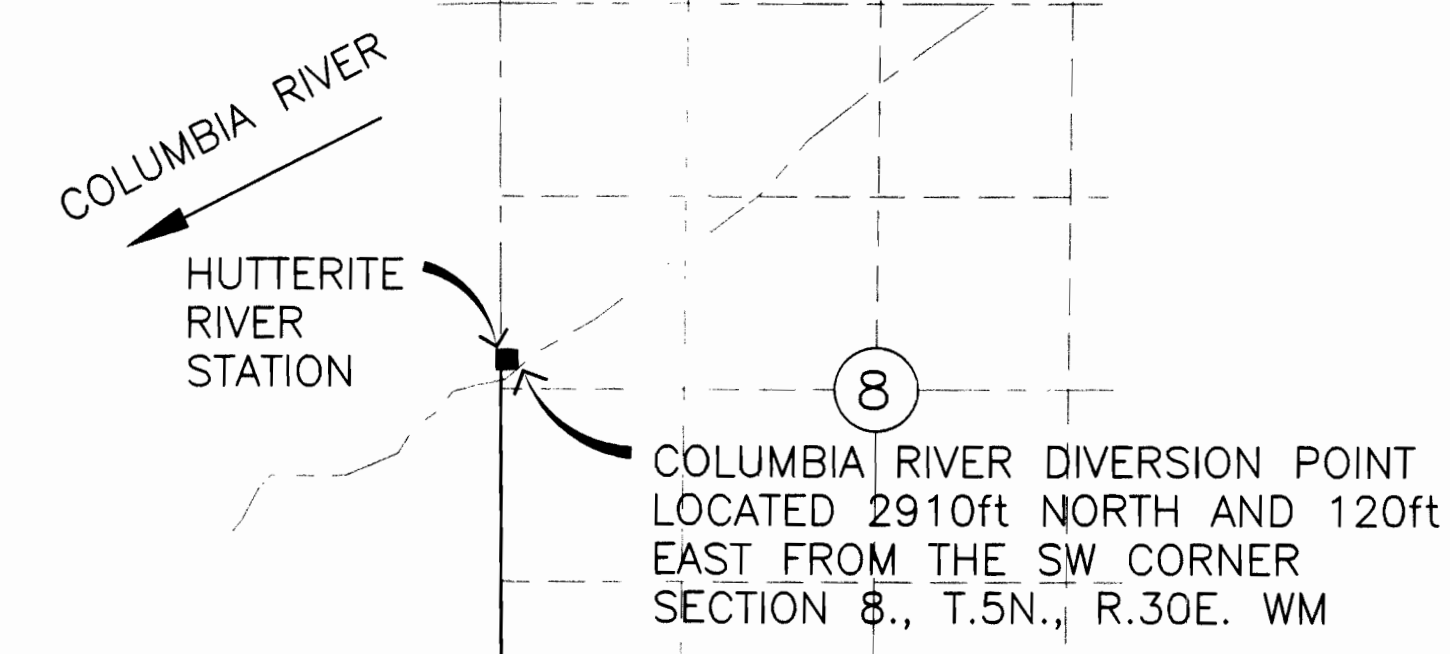
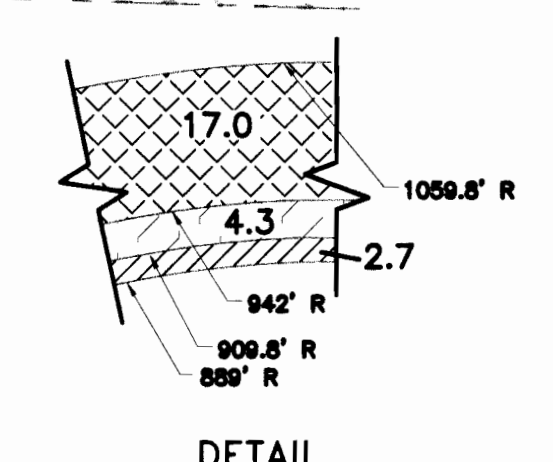
PROPOSED ADDITIONAL POINTS OF APPROPRIATION

D1	DITCHENS	NO ①	30'S AND 640'W FROM THE CENTER OF SEC 30 T3N R 30E W.M.
D2	DITCHENS	NO ②	100'N AND 80'E FROM THE SW CORNER OF SEC 20 T3N R 30E W.M.
C1	COPPINGER	NO ①	20'N AND 1490'W FROM E1/4 COR, SEC 24 T3N R 29E W.M.**

** NEW LOCATION OF COPPINGER WELL NO 1
FLOW METERS ARE LOCATED AT THE WELLS

CIRCLE 12 DURING THIS IRRIGATION SEASON WILL BE IRRIGATED AS AUTHORIZED IN CERT 87111, THE CROP IS WHEAT

PRIMARY WATER RIGHT DESCRIBED IN PERMIT S-54561 FOR CIRCLES 69, 504 AND 508 WILL NOT BE USED DURING THIS TEMPORARY TRANSFER



- #8 CIRCLE NUMBER (TYPICAL)
- EXISTING PIPE AND SIZE
- TAX LOT NUMBER
- ECHO IRRIGATION DISTRICT BOUNDARY

REFERENCES TO PRIMARY WATER RIGHTS LISTED IN APPLICATION

FROM	TO
1 217.1 FROM HALE PRIMARY PERMIT NO G-4969 CERT 85124 & SUPPLEMENTAL PERMIT S-54561 TO HALE	217.1 HALE WELLS 1, 2, 3, 4, 5*, 6, 7 COPPINGER WELL 1* AND DITCHENS WELL 1* AND 2*
2 101.7 FROM HALE PRIMARY PERMIT NO G-2415 T-6787 SUPPLEMENTAL PERMIT G-4969, CERT 85124 & SUPPLEMENTAL PERMIT S-54561 TO HALE	101.7 HALE WELLS 1, 2, 3, 4, 6 AND 7, DITCHENS WELLS 1 & 2
3 92.7 PRIMARY PERMIT G-5215 CERT 87042 SUPPLEMENTAL PERMIT S-54561	92.7 HALE WELLS 1, 2, 4, 6 AND 7
4 32.5 HALES PRIMARY PERMIT U-714 CERT 74762 SUPPLEMENTAL PERMIT G-5215 CERT 74898 SUPPLEMENTAL PERMIT S-54561	32.5 HALE WELLS 1, 2, 4, 6 AND 7
5 236.3 PRIMARY PERMIT G-5215 CERT 80850 SUPPLEMENTAL PERMIT 54561	244.0 HALE WELLS 5 & 8 AND DITCHENS WELLS 1* & 2*
6 110.1 PRIMARY PERMIT 37121 CERT 87111	110.1 COLUMBIA RIVER
7 17.0 HALES PRIMARY PERMIT U-714 CERT 74762	17.0
8 705.0 PERMIT S-54561 SUPPLEMENTAL TO WATER RIGHTS DESCRIBED ABOVE AND PRIMARY NOV. 1ST 2011 TO DECEMBER 31, 2011	

* ADDITIONAL P.O.A. THIS TEMPORARY TRANSFER

RECEIVED
APR 18 2012
WATER RESOURCES DEPT
SALEM OREGON



T 11406