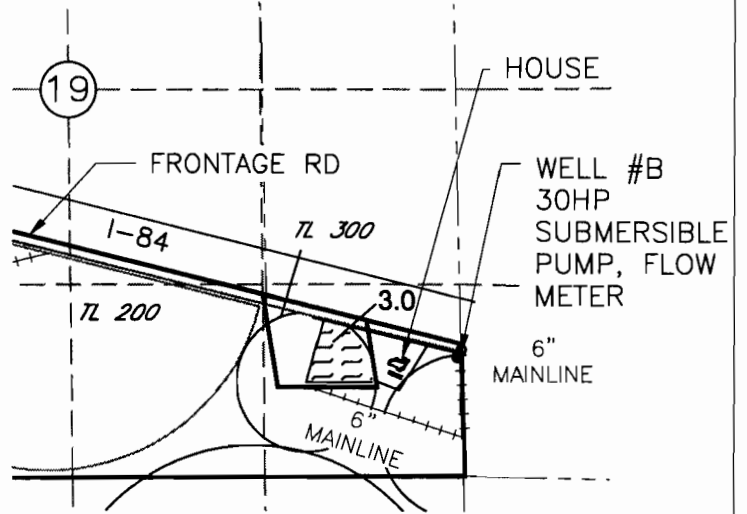
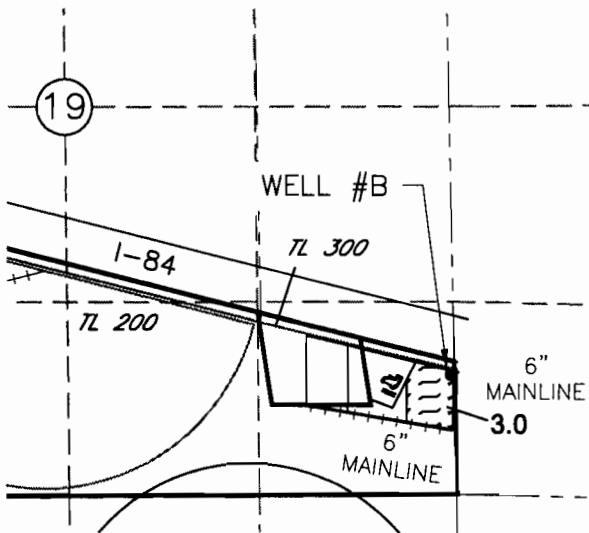


**JEDEDIAH W. AYLETT
TRANSFER APPLICATION MAP
FOR CERTIFICATE 87298
T4N, R27E, W.M., MORROW COUNTY
MAP 1 OF 7**

FROM

TO

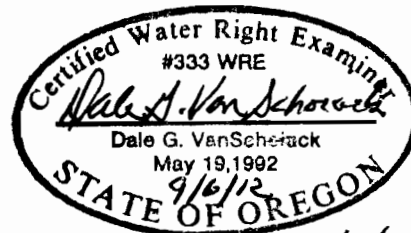


WELL #B LOCATED 790' N AND 55' W FROM THE SE COR SEC 19

LEGEND



AC OF CERT 87298 TO BE TRANSFERRED



Renewal 6/30/14

RECEIVED BY OWRD

DEC 28 2012

SALEM, OR

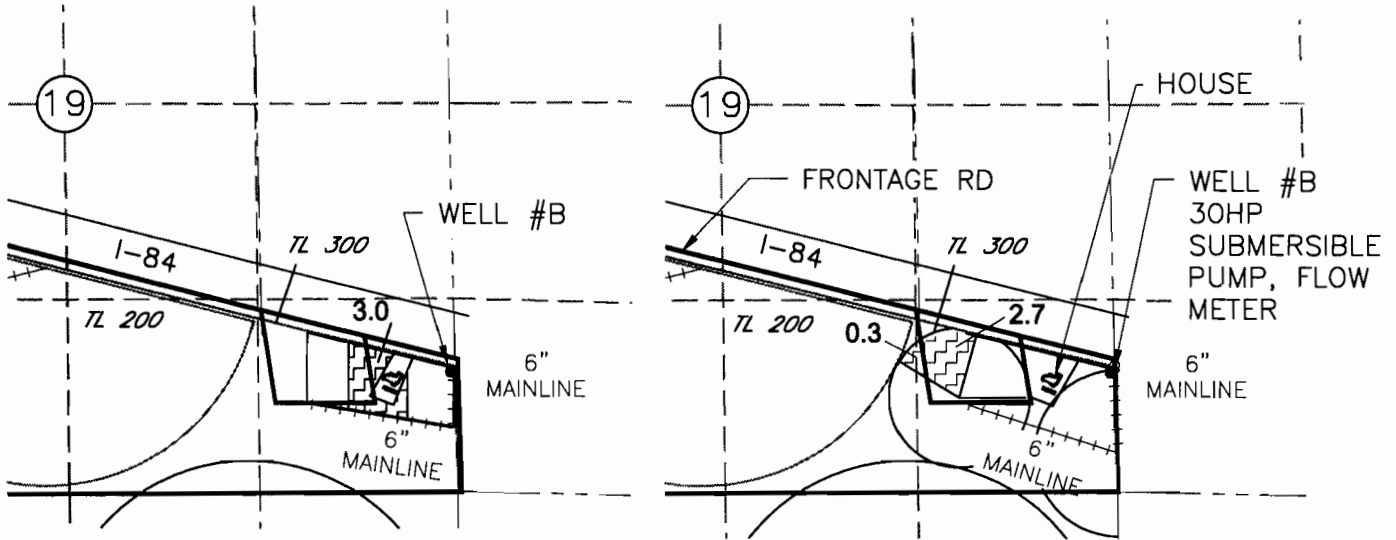
NOTE:
THE PURPOSE OF THIS MAP IS TO IDENTIFY THE APPROXIMATE LOCATION OF THE WATER RIGHT. IT IS NOT INTENDED TO PROVIDE INFORMATION RELATIVE TO THE LOCATION OF PROPERTY OWNERSHIP BOUNDARY LINES.

THE PIPE DISTRIBUTION SYSTEM IS BURIED PIPE. LOCATIONS AND SIZES ARE APPROXIMATE. THEY ARE BASED ON FARM MAPS, FIELD OBSERVATIONS AND DESCRIPTIONS PROVIDED BY OPERATIONS PERSONNEL.

**JEDEDIAH W. AYLETT
TRANSFER APPLICATION MAP
FOR CERTIFICATE 87299
T4N, R27E, W.M., MORROW COUNTY
MAP 2 OF 7**

FROM

TO

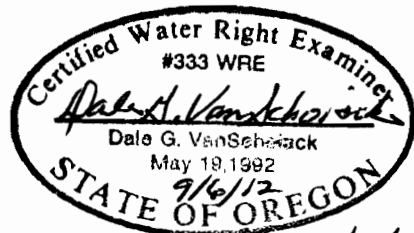


WELL #B LOCATED 790' N AND 55' W FROM THE SE COR SEC 19

LEGEND



AC OF CERT 87299 TO BE TRANSFERRED



Renews 6/30/14

RECEIVED BY OWRD

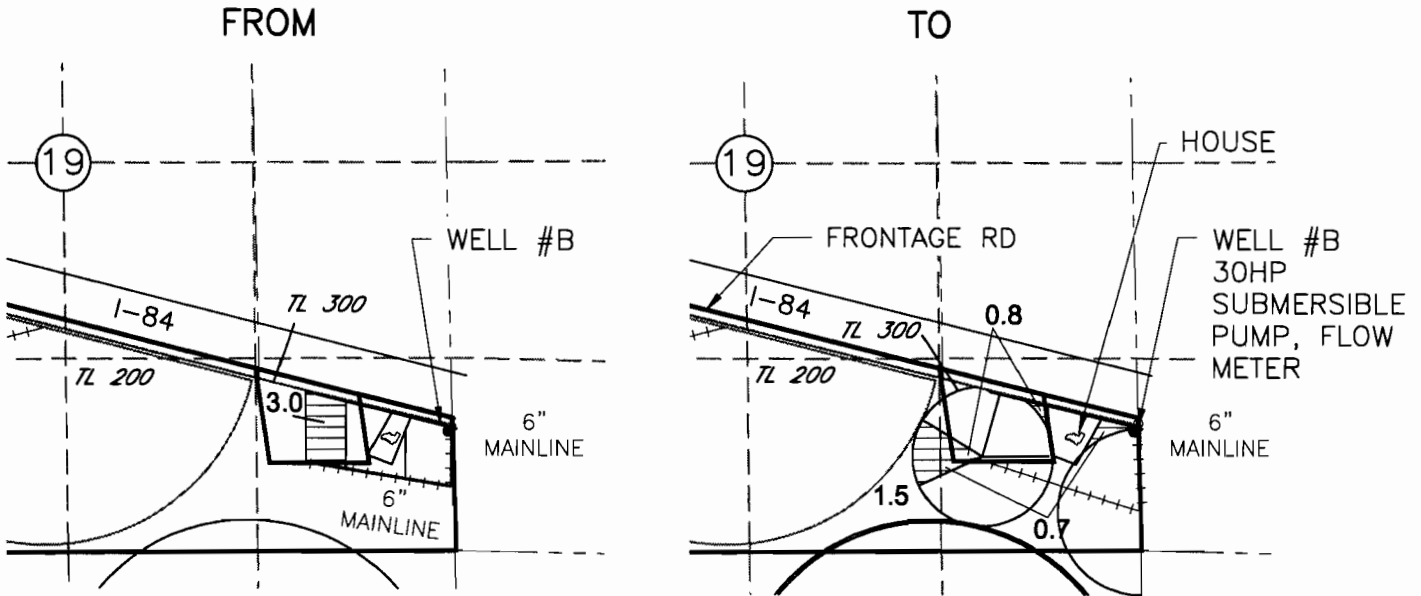
DEC 28 2012

SALEM, OR

NOTE:
THE PURPOSE OF THIS MAP IS TO IDENTIFY THE APPROXIMATE LOCATION OF THE WATER RIGHT. IT IS NOT INTENDED TO PROVIDE INFORMATION RELATIVE TO THE LOCATION OF PROPERTY OWNERSHIP BOUNDARY LINES.

THE PIPE DISTRIBUTION SYSTEM IS BURIED PIPE. LOCATIONS AND SIZES ARE APPROXIMATE. THEY ARE BASED ON FARM MAPS, FIELD OBSERVATIONS AND DESCRIPTIONS PROVIDED BY OPERATIONS PERSONNEL.

**JEDEDIAH W. AYLETT
TRANSFER APPLICATION MAP
FOR CERTIFICATE 87300
T4N, R27E, W.M., MORROW COUNTY
MAP 3 OF 7**

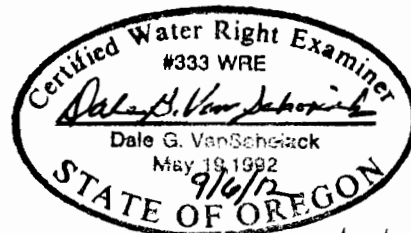
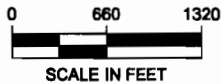


WELL #B LOCATED 790' N AND 55' W FROM THE SE COR SEC 19

LEGEND



AC OF CERT 87300 TO BE TRANSFERRED



Revised 6/30/14
RECEIVED BY OWRD

DEC 28 2012

SALEM, OR

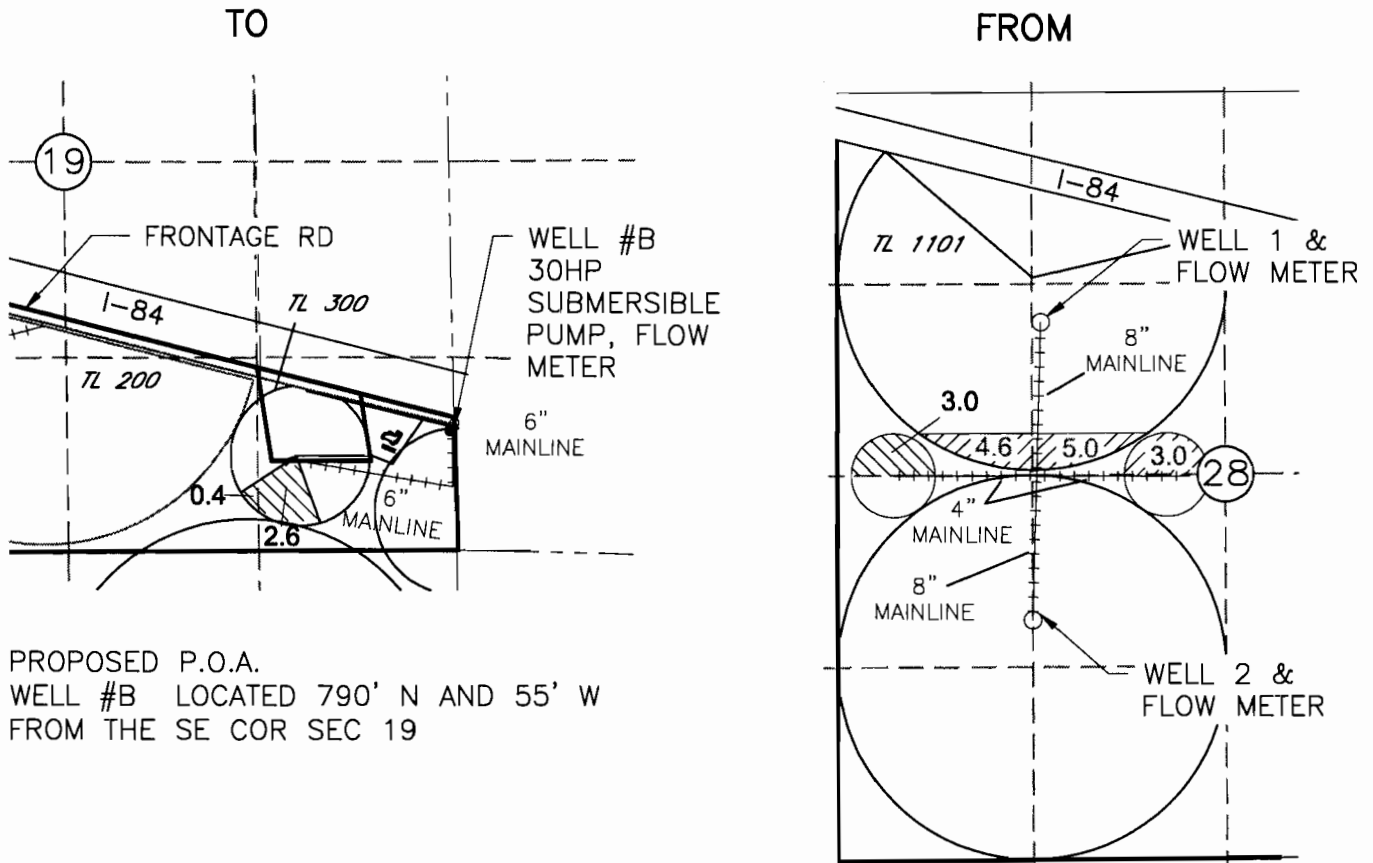
NOTE:
THE PURPOSE OF THIS MAP IS TO IDENTIFY THE APPROXIMATE LOCATION OF THE WATER RIGHT. IT IS NOT INTENDED TO PROVIDE INFORMATION RELATIVE TO THE LOCATION OF PROPERTY OWNERSHIP BOUNDARY LINES.

THE PIPE DISTRIBUTION SYSTEM IS BURIED PIPE. LOCATIONS AND SIZES ARE APPROXIMATE. THEY ARE BASED ON FARM MAPS, FIELD OBSERVATIONS AND DESCRIPTIONS PROVIDED BY OPERATIONS PERSONNEL.

JEDEDIAH W. AYLETT
TRANSFER APPLICATION MAP FOR A PORTION OF RECEIVED BY OWRD
CERTIFICATE 60552 AND CERTIFICATE 84119
T4N, R27E, W.M., MORROW COUNTY
MAP 4 OF 7

DEC 28 2012

SALEM, OR



PROPOSED P.O.A.
 WELL #B LOCATED 790' N AND 55' W
 FROM THE SE COR SEC 19

AUTHORIZED P.O.A.
 WELL 1 LOCATED 3700' N AND 1390' E
 FROM THE SW COR SEC 28
 WELL 2 LOCATED 1650' N AND 1320' E
 FROM THE SW COR SEC 28

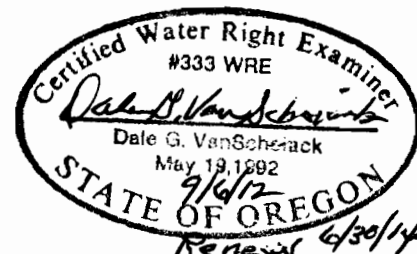
LEGEND

- ACRES TO BE TRANSFERRED PRIMARY CERT 60552
 SUPPLEMENTAL CERT 84119
- PORTION OF CERTIFICATE 60552 NOT INVOLVED IN THIS
 TRANSFER



NOTE:
 THE PURPOSE OF THIS MAP IS TO IDENTIFY THE APPROXIMATE LOCATION OF THE WATER
 RIGHT. IT IS NOT INTENDED TO PROVIDE INFORMATION RELATIVE TO THE LOCATION OF
 PROPERTY OWNERSHIP BOUNDARY LINES.

THE PIPE DISTRIBUTION SYSTEM IS BURIED PIPE. LOCATIONS AND SIZES ARE
 APPROXIMATE. THEY ARE BASED ON FARM MAPS, FIELD OBSERVATIONS AND DESCRIPTIONS
 PROVIDED BY OPERATIONS PERSONNEL.



JEDEDIAH W. AYLETT
TRANSFER APPLICATION MAP FOR A PORTION
OF CERTIFICATE 81895 AND CERTIFICATE 84119
T4N, R27E, W.M., MORROW COUNTY
MAP 5 OF 7

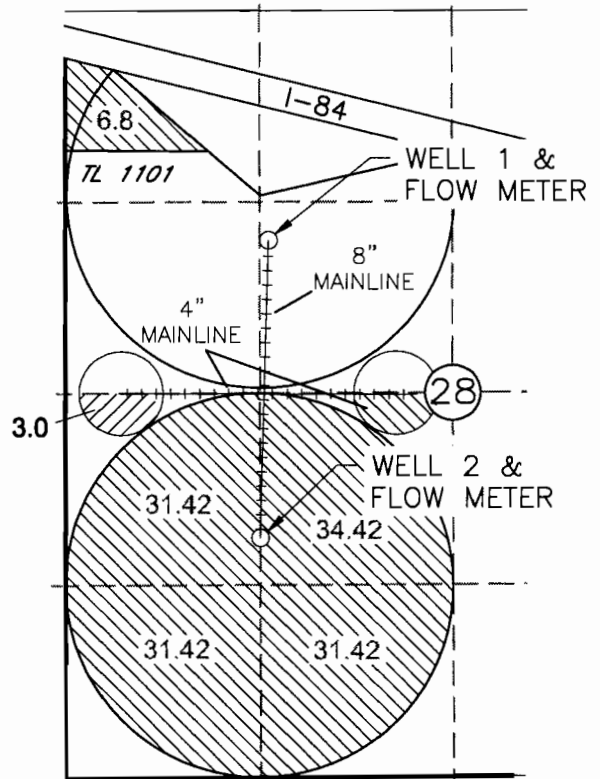
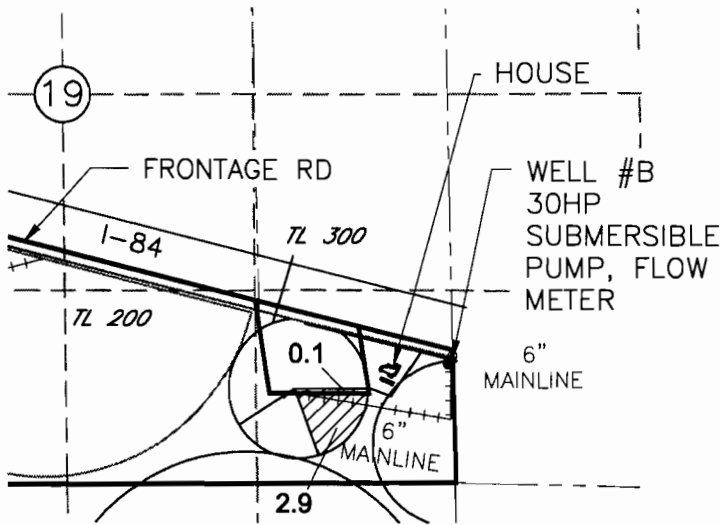
RECEIVED BY OWRD

DEC 28 2012

SALEM, OR

TO

FROM



PROPOSED P.O.A.
 WELL #B LOCATED 790' N AND 55' W
 FROM THE SE COR SEC 19

AUTHORIZED P.O.A. FOR ACRES BEING
 TRANSFERRED
 WELL 2 LOCATED 1650' N AND 1320'
 E FROM THE SW COR SEC 28

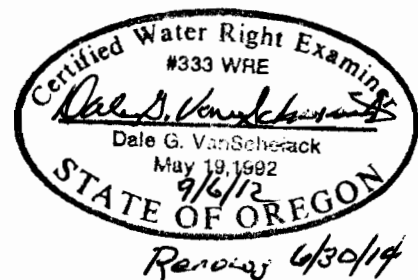


LEGEND

- ACRES TO BE TRANSFERRED OF PRIMARY CERT 81895
 SUPPLEMENTAL CERT 84119
- PORTION OF CERTIFICATE 81895 NOT INVOLVED IN THIS
 TRANSFER

NOTE:
 THE PURPOSE OF THIS MAP IS TO IDENTIFY THE APPROXIMATE LOCATION OF THE WATER
 RIGHT. IT IS NOT INTENDED TO PROVIDE INFORMATION RELATIVE TO THE LOCATION OF
 PROPERTY OWNERSHIP BOUNDARY LINES.

THE PIPE DISTRIBUTION SYSTEM IS BURIED PIPE. LOCATIONS AND SIZES ARE
 APPROXIMATE. THEY ARE BASED ON FARM MAPS, FIELD OBSERVATIONS AND DESCRIPTIONS
 PROVIDED BY OPERATIONS PERSONNEL.

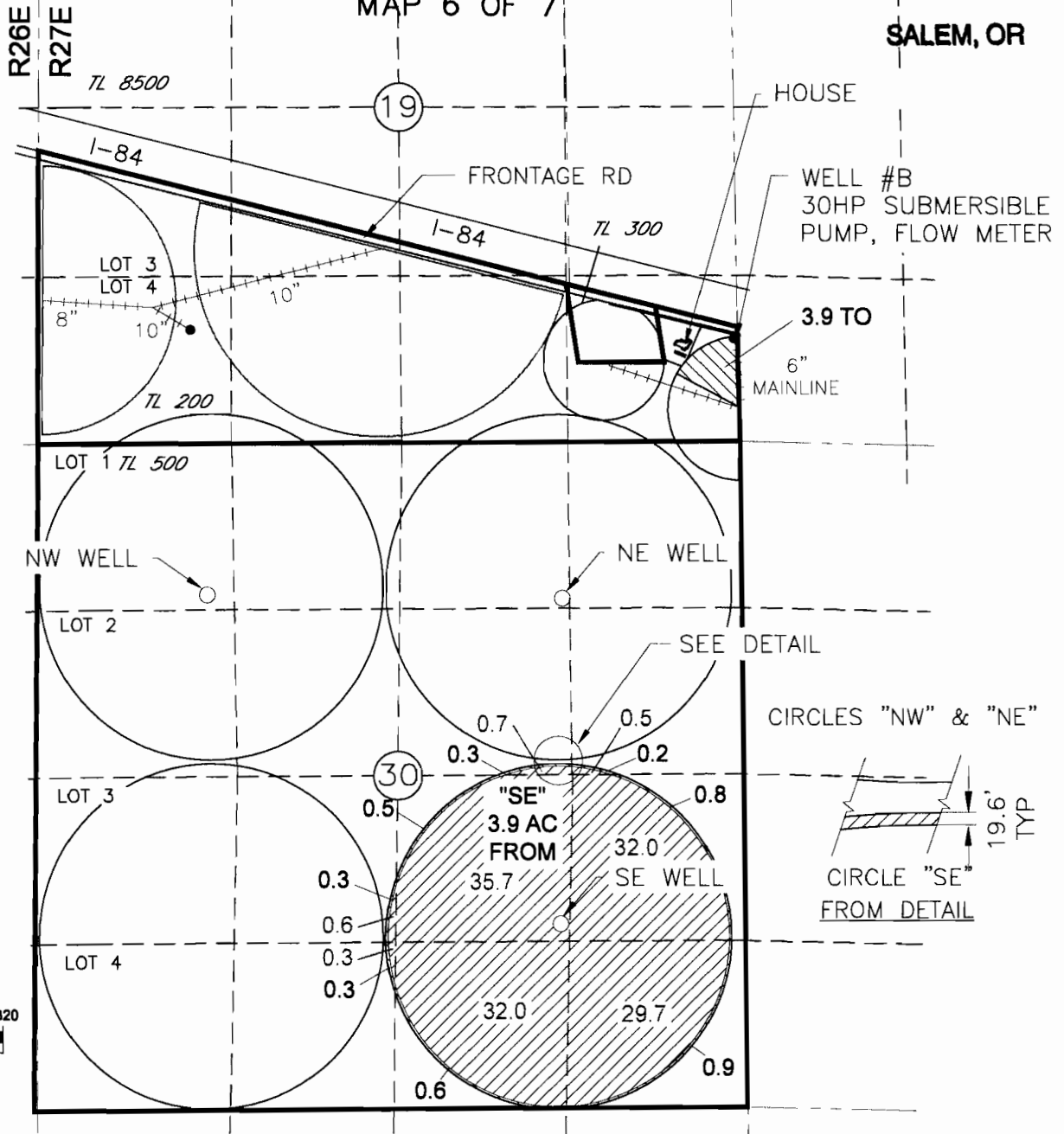


JEDEDIAH W. AYLETT
 TRANSFER APPLICATION MAP FOR A
 PORTION OF CERTIFICATE 53373 AND
 CERTIFICATE 84119
 T4N, R27E, W.M., MORROW COUNTY
 MAP 6 OF 7

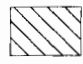

RECEIVED BY OWRD

DEC 28 2012

SALEM, OR



LEGEND

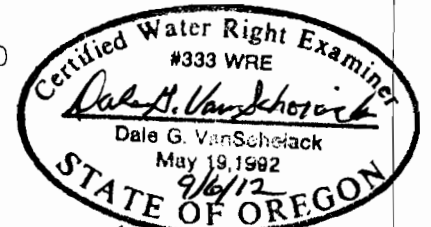
-  ACRES TO BE TRANSFERRED PRIMARY "NW & NE" CERT 53373
 SUPPLEMENTAL CERT 84119
-  PORTION OF CERTIFICATE 53373 NOT INVOLVED IN THIS
 TRANSFER

AUTHORIZED P.O.A.

SE WELL LOCATED 3830' S AND 4160' E FORM THE NW COR SEC 30
 PROPOSED P.O.A.

WELL #B LOCATED 790' N AND 55' W FROM THE SE COR SEC 29

NOTE:
 THE PURPOSE OF THIS MAP IS TO IDENTIFY THE APPROXIMATE LOCATION OF THE WATER
 RIGHT. IT IS NOT INTENDED TO PROVIDE INFORMATION RELATIVE TO THE LOCATION OF
 PROPERTY OWNERSHIP BOUNDARY LINES.



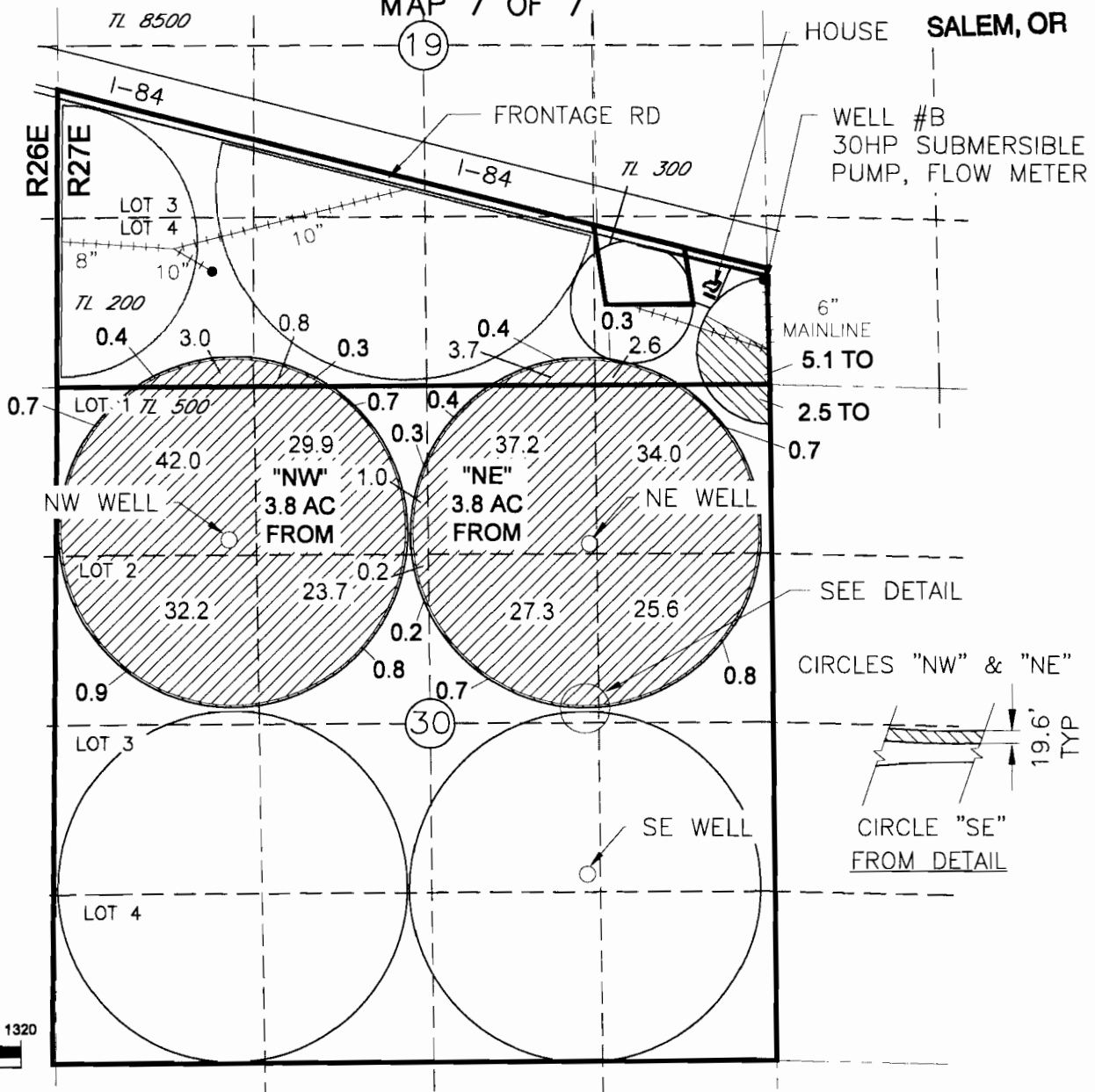
Revised 6/25/14

JEDEDIAH W. AYLETT
 TRANSFER APPLICATION MAP FOR A
 PORTION OF CERTIFICATE 44539 AND
 CERTIFICATE 84119
 T4N, R27E, W.M., MORROW COUNTY
 MAP 7 OF 7

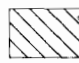
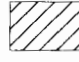
RECEIVED BY OWRD

DEC 28 2012

HOUSE SALEM, OR



LEGEND

-  ACRES TO BE TRANSFERRED PRIMARY "NW & NE" CERT 44539
 SUPPLEMENTAL CERT 84119
-  PORTION OF CERTIFICATE 44539 NOT INVOLVED IN THIS
 TRANSFER

AUTHORIZED P.O.A.

NE WELL LOCATED 1190' S AND 4170' E FROM THE NW COR SEC 30

NW WELL LOCATED 1280' S AND 1350' E FROM THE NW COR SEC 30

PROPOSED P.O.A.

WELL #B LOCATED 790' N AND 55' W FROM THE SE COR SEC 29

NOTE:

THE PURPOSE OF THIS MAP IS TO IDENTIFY THE APPROXIMATE LOCATION OF THE WATER
 RIGHT. IT IS NOT INTENDED TO PROVIDE INFORMATION RELATIVE TO THE LOCATION OF
 PROPERTY OWNERSHIP BOUNDARY LINES.

