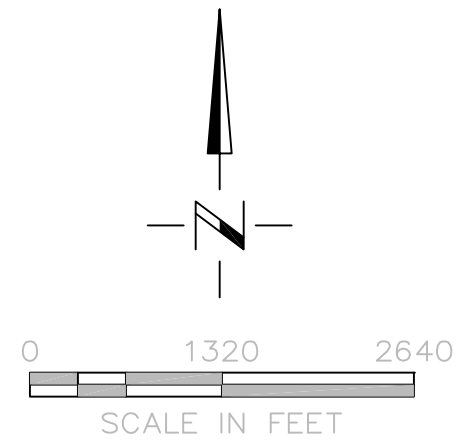


2013 ECHO IRRIGATION DISTRICT TEMPORARY TRANSFER



NOTE:
THE PURPOSE OF THIS MAP IS TO IDENTIFY THE APPROXIMATE LOCATION
OF THE WATER RIGHT. IT IS NOT INTENDED TO PROVIDE INFORMATION
RELATIVE TO THE LOCATION OF PROPERTY OWNERSHIP BOUNDARY LINES.

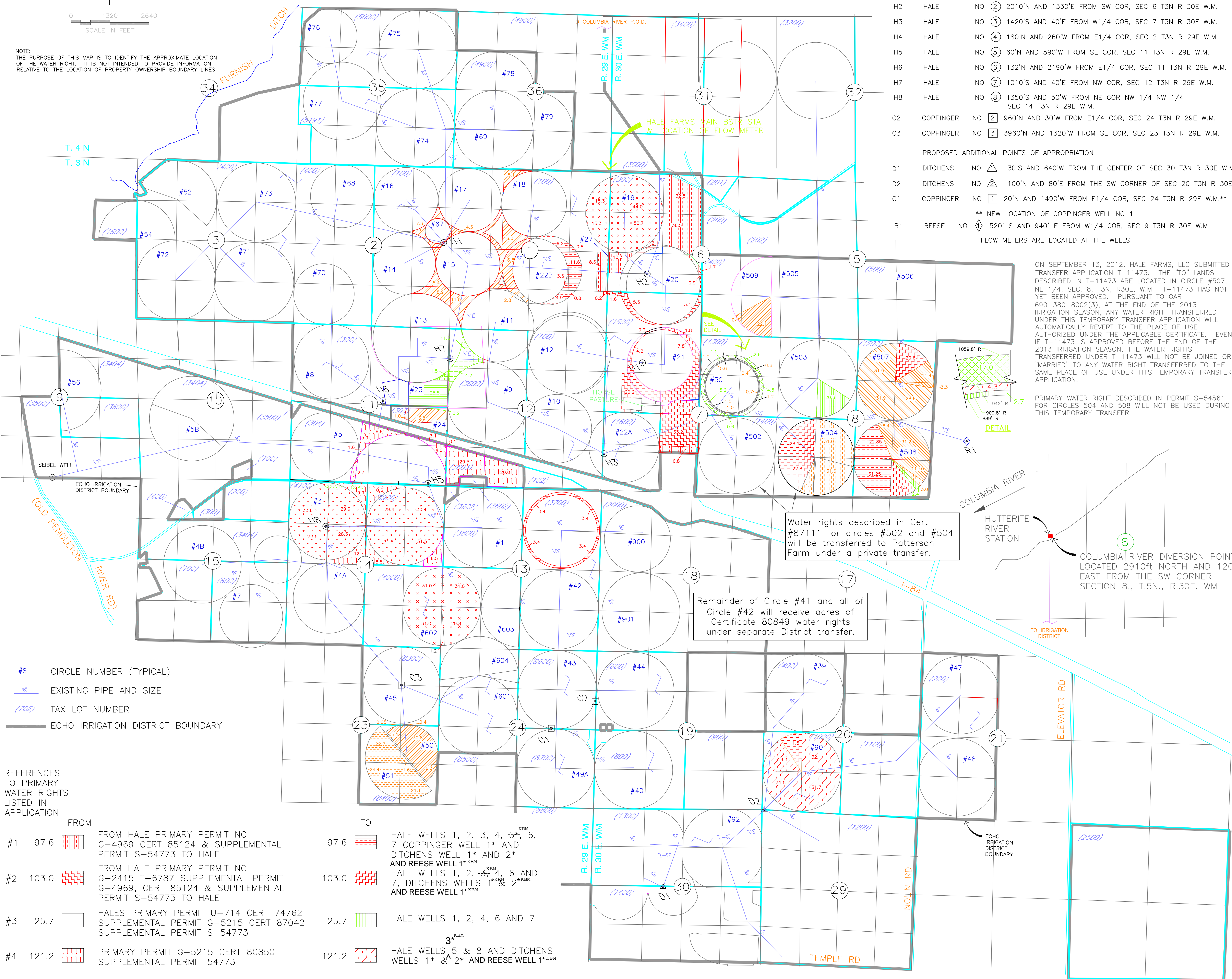
P.O.A. AS
REFERENCED IN
APPLICATION

WELL LEGEND

H1	HALE	NO ①	4340'N AND 1830'W FROM S1/4 COR, SEC 7 T3N R 30E W.M.
H2	HALE	NO ②	2010'N AND 1330'E FROM SW COR, SEC 6 T3N R 30E W.M.
H3	HALE	NO ③	1420'S AND 40'E FROM W1/4 COR, SEC 7 T3N R 30E W.M.
H4	HALE	NO ④	180'N AND 260'W FROM E1/4 COR, SEC 2 T3N R 29E W.M.
H5	HALE	NO ⑤	60'N AND 590'W FROM SE COR, SEC 11 T3N R 29E W.M.
H6	HALE	NO ⑥	132'N AND 2190'W FROM E1/4 COR, SEC 11 T3N R 29E W.M.
H7	HALE	NO ⑦	1010'S AND 40'E FROM NW COR, SEC 12 T3N R 29E W.M.
H8	HALE	NO ⑧	1350'S AND 50'W FROM NE COR NW 1/4 NW 1/4 SEC 14 T3N R 29E W.M.
C2	COPPINGER	NO ②	960'N AND 30'W FROM E1/4 COR, SEC 24 T3N R 29E W.M.
C3	COPPINGER	NO ③	3960'N AND 1320'W FROM SE COR, SEC 23 T3N R 29E W.M.
PROPOSED ADDITIONAL POINTS OF APPROPRIATION			
D1	DITCHENS	NO △	30'S AND 640'W FROM THE CENTER OF SEC 30 T3N R 30E W.M.
D2	DITCHENS	NO △	100'N AND 80'E FROM THE SW CORNER OF SEC 20 T3N R 30E W.M.
C1	COPPINGER	NO ①	20'N AND 1490'W FROM E1/4 COR, SEC 24 T3N R 29E W.M.**
** NEW LOCATION OF COPPINGER WELL NO 1			
R1	REESE	NO ◇	520' S AND 940' E FROM W1/4 COR, SEC 9 T3N R 30E W.M.
FLOW METERS ARE LOCATED AT THE WELLS			

ON SEPTEMBER 13, 2012, HALE FARMS, LLC SUBMITTED TRANSFER APPLICATION T-11473. THE "TO" LANDS DESCRIBED IN T-11473 ARE LOCATED IN CIRCLE #507, NE 1/4, SEC. 8, T3N, R30E, W.M. T-11473 HAS NOT YET BEEN APPROVED. PURSUANT TO OAR 690-380-8002(3), AT THE END OF THE 2013 IRRIGATION SEASON, ANY WATER RIGHT TRANSFERRED UNDER THIS TEMPORARY TRANSFER APPLICATION WILL AUTOMATICALLY REVERT TO THE PLACE OF USE AUTHORIZED UNDER THE APPLICABLE CERTIFICATE. EVEN IF T-11473 IS APPROVED BEFORE THE END OF THE 2013 IRRIGATION SEASON, THE WATER RIGHTS TRANSFERRED UNDER T-11473 WILL NOT BE JOINED OR "MARRIED" TO ANY WATER RIGHT TRANSFERRED TO THE SAME PLACE OF USE UNDER THIS TEMPORARY TRANSFER APPLICATION.

PRIMARY WATER RIGHT DESCRIBED IN PERMIT S-54561 FOR CIRCLES 504 AND 508 WILL NOT BE USED DURING THIS TEMPORARY TRANSFER



Water rights described in Cert #87111 for circles #502 and #504 will be transferred to Patterson Farm under a private transfer.

Remainder of Circle #41 and all of Circle #42 will receive acres of Certificate 80849 water rights under separate District transfer.

- #8 CIRCLE NUMBER (TYPICAL)
- EXISTING PIPE AND SIZE
- (702) TAX LOT NUMBER
- ECHO IRRIGATION DISTRICT BOUNDARY

FROM	TO
#1 97.6	FROM HALE PRIMARY PERMIT NO G-4969 CERT 85124 & SUPPLEMENTAL PERMIT S-54773 TO HALE
#2 103.0	FROM HALE PRIMARY PERMIT NO G-2415 T-6787 SUPPLEMENTAL PERMIT G-4969, CERT 85124 & SUPPLEMENTAL PERMIT S-54773 TO HALE
#3 25.7	HALES PRIMARY PERMIT U-714 CERT 74762 SUPPLEMENTAL PERMIT G-5215 CERT 87042 SUPPLEMENTAL PERMIT S-54773
#4 121.2	PRIMARY PERMIT G-5215 CERT 80850 SUPPLEMENTAL PERMIT 54773
#5 248.1	PRIMARY PERMIT 37121 CERT 87111
#6 69.8	PRIMARY PERMIT G-5335 CERT 87666
#7 17.0	HALES PRIMARY PERMIT U-714 CERT 74762 SUPPLEMENTAL PERMIT 54773
#8 65.75	PRIMARY PERMIT G-5337 CERT 87667
#9 92.4	PRIMARY PERMIT G-5215 CERT 87042 SUPPLEMENTAL PERMIT S-54773

FROM	TO
97.6	HALE WELLS 1, 2, 3, 4, 5*, 6, 7 COPPINGER WELL 1* AND DITCHENS WELL 1* AND 2* AND REESE WELL 1*
103.0	HALE WELLS 1, 2, 3, 4, 6 AND 7, DITCHENS WELLS 1* & 2* AND REESE WELL 1*
25.7	HALE WELLS 1, 2, 4, 6 AND 7
121.2	HALE WELLS 5 & 8 AND DITCHENS WELLS 1* & 2* AND REESE WELL 1*
248.1	COLUMBIA RIVER
69.8	HALE WELLS 3 & 8 AND REESE WELL 1*
17.0	HALE WELLS 1, 2, 4, 6 AND 7
65.75	HALE WELLS 3 & 8 AND REESE WELL 1*
92.4	HALE WELLS 1, 2, 4, 6 & 7

* ADDITIONAL P.O.A. THIS TEMPORARY TRANSFER

