

AMENDED ✓
 MAP TO ACCOMPANY APPLICATION
 FOR A TRANSFER OF WATER RIGHT
 CERTIFICATE #76187 AND TRANSFER 4401

T-8315

RECEIVED

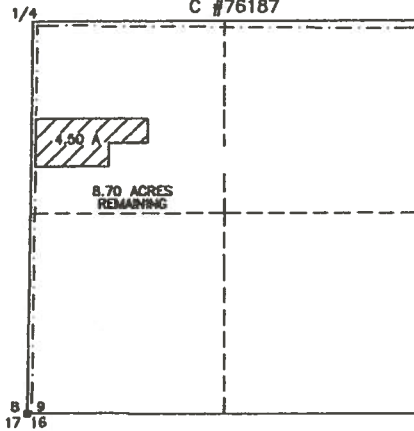
JUN 19 2000

Dfb



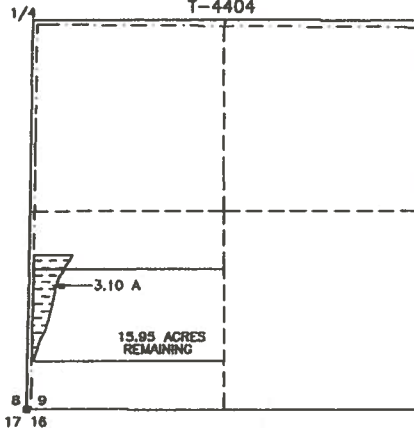
SCALE
 1" = 1320'

AUTHORIZED PLACE OF USE
 T.40S. R.19E., W.M.
 LAKE COUNTY, OREGON
 NW1/4 SW 1/4 SECTION 9
 TAX LOTS 801 & 900
 C #76187



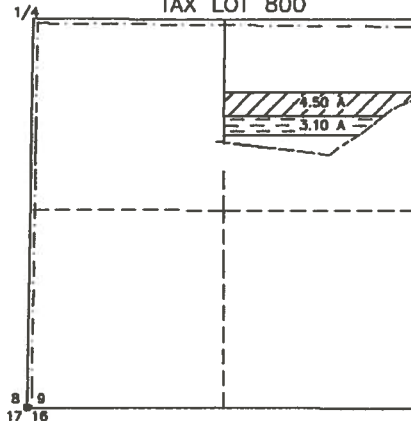
 4.50 ACRES TO TRANSFER
 AS SHOWN

AUTHORIZED PLACE OF USE
 T.40S. R.19E., W.M.
 LAKE COUNTY, OREGON
 SW1/4 SW 1/4 SECTION 9
 TAX LOT 1100
 T-4404

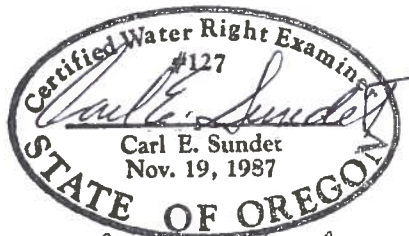


 3.10 ACRES TO TRANSFER
 AS SHOWN

PROPOSED PLACE OF USE
 T.40S. R.19E., W.M.
 LAKE COUNTY, OREGON
 NE1/4 SW 1/4 SECTION 9
 TAX LOT 800



PREPARED FOR: LAKEVIEW WATER USERS, INC
 C/O ROBERT & SHARON WARNER
 PREPARED BY: SUNDET & ASSOCIATES
 P.O. BOX 1228
 LAKEVIEW, OR 97630
 541-947-3293
 JUNE 1999 DRAWING #10399



T 8315