

T.34S.,R.1W.,W.M.

JACKSON COUNTY, OREGON

TAX LOT Nos. 341W 21AA - 3600 & 4500
341W 21A - 3302

RECEIVED

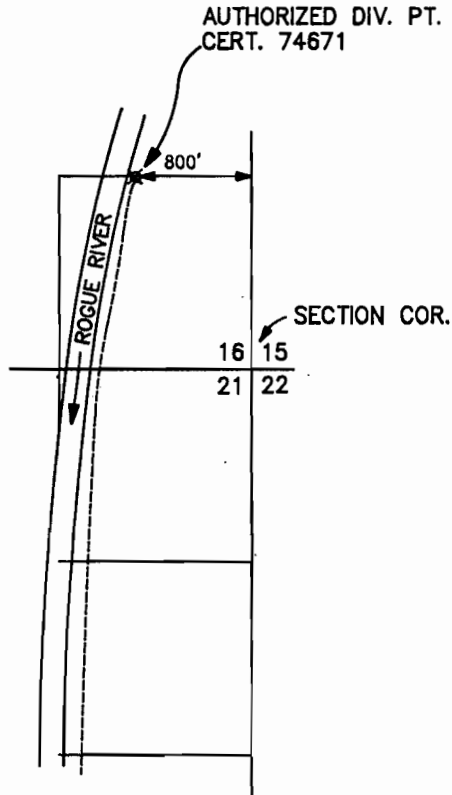
DEC 07 1998



SCALE 1" = 400'

T-8127

SECTION CORNER WATER RESOURCES DEPT.
SALEM, OREGON



SCALE 1" = 1320'

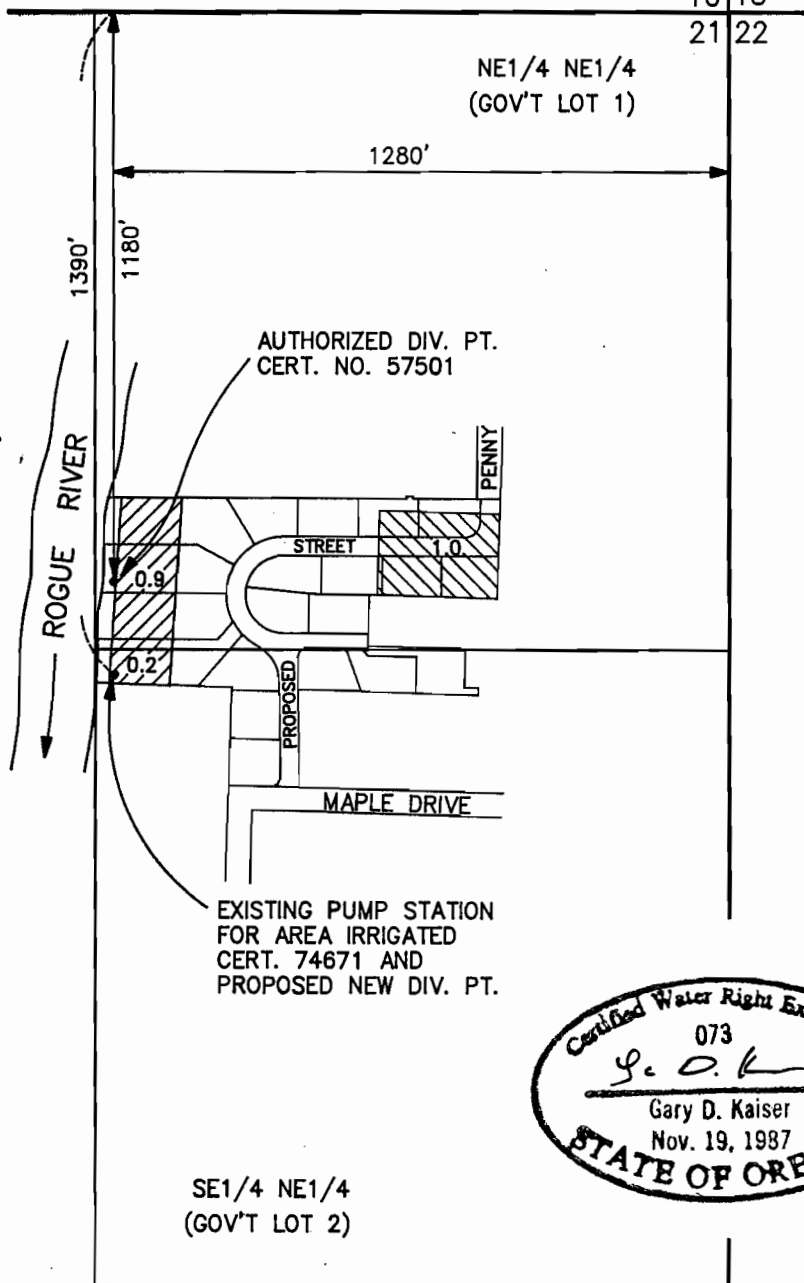


AUTHORIZED AREA IRRIGATED
PORTION OF CERT. 57501

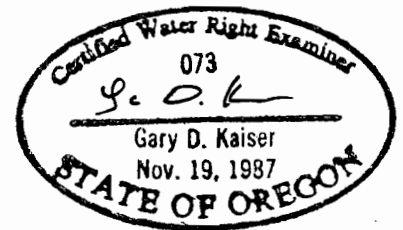


AUTHORIZED AREA IRRIGATED
PORTION OF CERT. 74671

NOTE: MAP PREPARED FOR
WATER RIGHT PURPOSES ONLY,
NOT FOR PROPERTY BOUNDARY
LOCATIONS.



EXISTING PUMP STATION
FOR AREA IRRIGATED
CERT. 74671 AND
PROPOSED NEW DIV. PT.



MAP TO ACCOMPANY APPLICATION FOR A WATER RIGHT TRANSFER
CHANGE IN PLACE OF USE AND CHANGE IN POINT OF DIVERSION
AND
AN APPLICATION TO APPROPRIATE SURFACE WATER

FOR: ERNIE DODSON AND LEE THORNALLY
c/o LEE THORNALLY
1399 HIGHWAY 234
EAGLE POINT, OR. 97524

PREPARED BY:
GARY D. KAISER
KAISER SURVEYING
19440 HIGHWAY 62
EAGLE POINT, OR. 97524

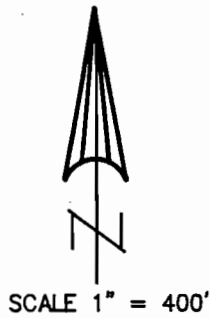
NOVEMBER 12, 1998

T.34S.,R.1W.,W.M.

JACKSON COUNTY, OREGON

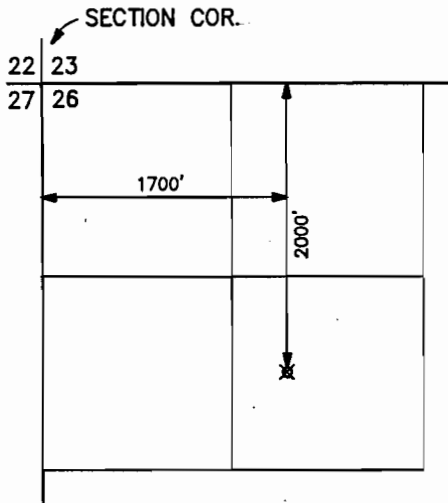
TAX LOT Nos. 341W 21AA - 3600 & 4500
 341W 21A - 3302

DEC 07 1998






WATER RESOURCES DEPT.
 SALEM, OREGON

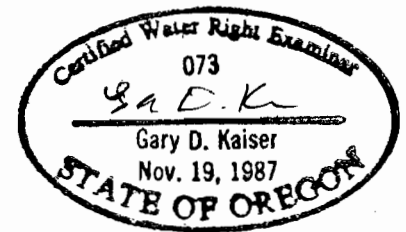
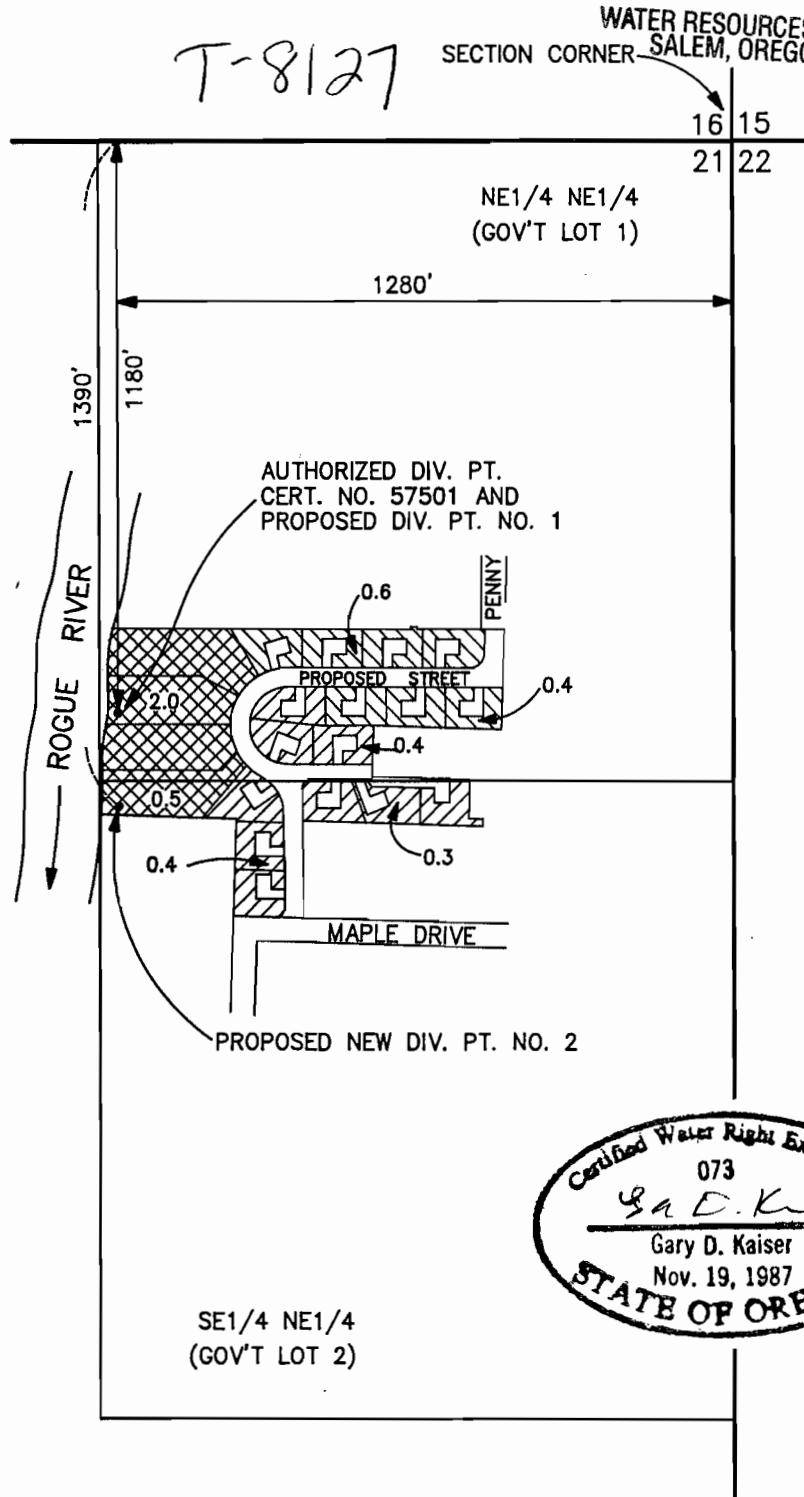
T-8127



LOST CREEK RESERVIOR
 POINT OF DIVERSION
 T.33S.,R.1E.,W.M.
 SCALE 1" = 1320'

-  1.0 PROPOSED AREA IRRIGATED BY TRANSFER OF PORTION OF CERT. NO. 57501
-  1.1 PROPOSED AREA IRRIGATED BY TRANSFER OF PORTION OF CERT. NO. 74671
-  2.5 PROPOSED NEW IRRIGATED LOST CREEK RESERVIOR WATER

NOTE: MAP PREPARED FOR WATER RIGHT PURPOSES ONLY, NOT FOR PROPERTY BOUNDARY LOCATIONS.



MAP TO ACCOMPANY APPLICATION FOR A WATER RIGHT TRANSFER CHANGE IN PLACE OF USE AND CHANGE IN POINT OF DIVERSION AND AN APPLICATION TO APPROPRIATE SURFACE WATER

FOR: ERNIE DODSON AND LEE THORNALLY
 c/o LEE THORNALLY
 1399 HIGHWAY 234
 EAGLE POINT, OR. 97524

PREPARED BY:
 GARY D. KAISER
 KAISER SURVEYING
 19440 HIGHWAY 62
 EAGLE POINT, OR. 97524

NOVEMBER 12, 1998

Superseded map