

P-2013-002

OFF MAPS

RECEIVED BY OWRD

DEC 05 2013

SALEM, OH

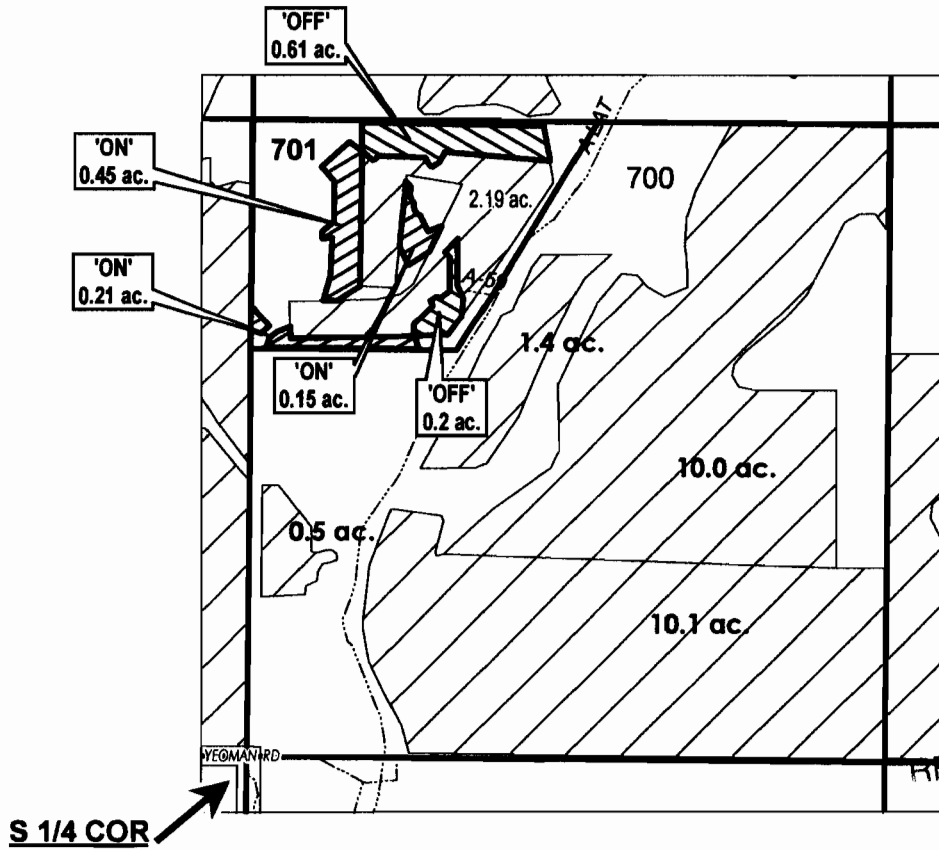
DESCHUTES COUNTY SEC.14 T17S R12E

SCALE - 1" = 400'



SW 1/4 OF THE SE 1/4

DISTRICT INTERNAL
NOTICE #: T-2013-008



RECEIVED BY OWRD

DEC 05 2013

SALEM, OR

"OFF / ON" MAP

	EXISTING WATER RIGHTS
	OFF LANDS
	ON LANDS

APPLICATION FOR WATER RIGHTS TRANSFER

CYNTHIA L. BECK / CYNTHIA L. BECK

TAXLOT #: 701

0.81 ACRES



Date: 5/29/2013

FILE: R:\TRANSFER\WRTRANS13\171214_SWSE

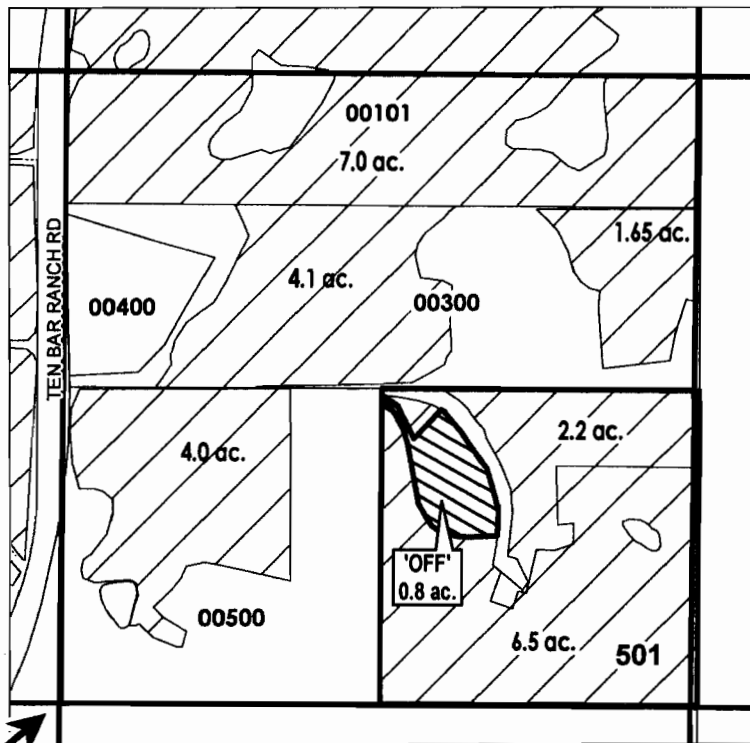
DESCHUTES COUNTY SEC.03 T18S R13E

SCALE - 1" = 400'



SW 1/4 OF THE NE 1/4

DISTRICT INTERNAL
NOTICE #: T-2013-009

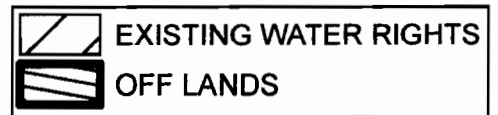


C 1/4 COR

RECEIVED BY OWRD

DEC 05 2013

SALEM, OR



"OFF" MAP



APPLICATION FOR WATER RIGHTS TRANSFER
COID QUITCLAIM /
COUGAR CAVERHILL & SANDRA A. MCGREGOR-CAVERHILL

TAXLOT #: 501

0.8 ACRES

Date: 6/5/2013

FILE: \\TRANSFER\WR\TRANS13\181303_SWNE

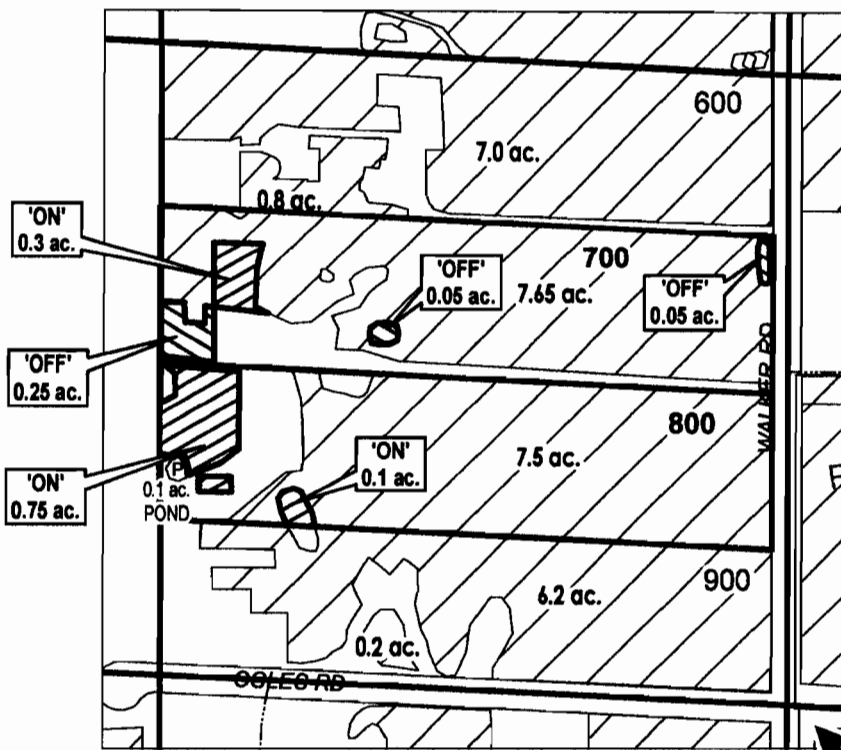
DESCHUTES COUNTY SEC.27 T17S R14E

SCALE - 1" = 400'



SE 1/4 OF THE NE 1/4

DISTRICT INTERNAL
NOTICE #: T-2013-009



RECEIVED BY OWRC
DEC 05 2013
SALEM, OR

E 1/4 COR

	EXISTING WATER RIGHTS
	OFF LANDS
	ON LANDS
	POND

"OFF / ON" MAP



APPLICATION FOR WATER RIGHTS TRANSFER

COUGAR CAVERHILL & SANDRA MCGREGOR-CAVERHILL, COID /
COUGAR CAVERHILL & SANDRA MCGREGOR-CAVERHILL

TAXLOT #: 700, 800

1.15 ACRES (0.3 TL 700, 0.85 TL 800)

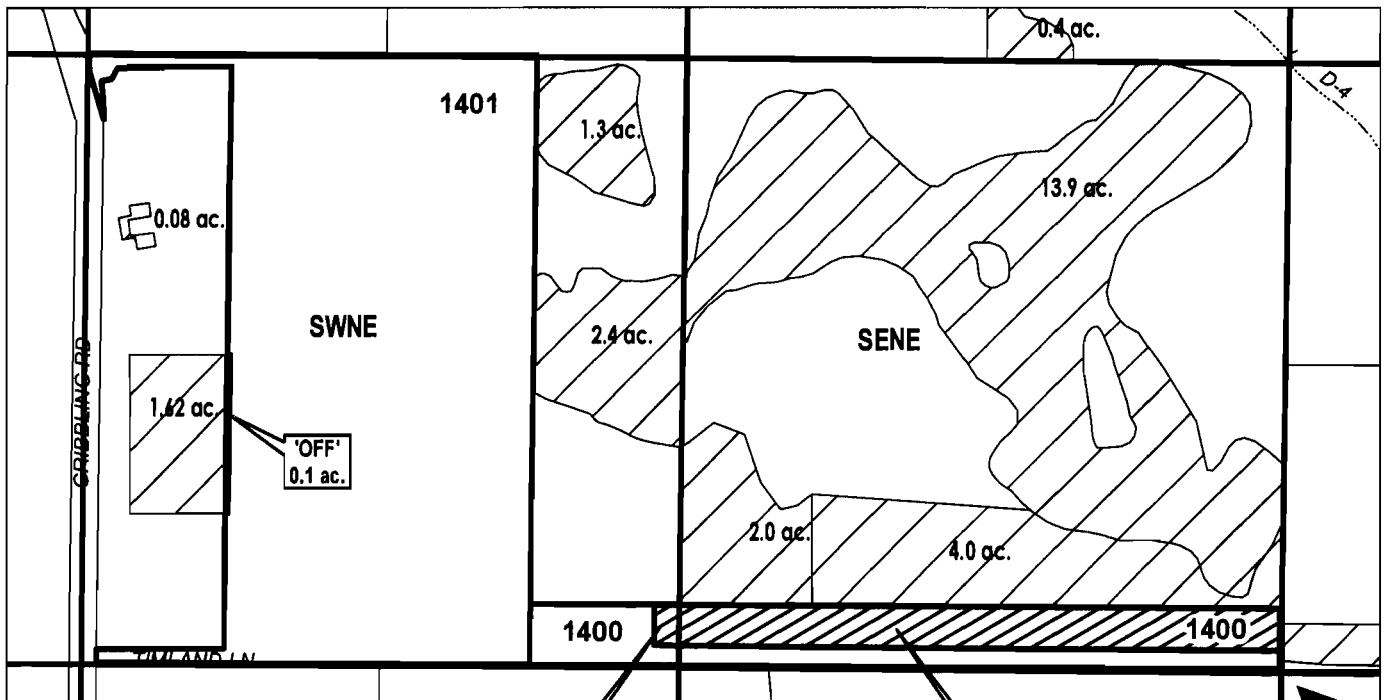
DESCHUTES COUNTY SEC.09 T18S R13E

SCALE - 1" = 400'



SW 1/4 OF THE NE 1/4, SE 1/4 OF THE NE 1/4

DISTRICT INTERNAL
NOTICE #: T-2013-010



RECEIVED BY OWRD

DEC 05 2013

SALEM, OR

	EXISTING WATER RIGHTS
	OFF LANDS
	ON LANDS

"OFF / ON" MAP



APPLICATION FOR WATER RIGHTS TRANSFER

DELMAR D. & DELORES A. KENNEL / DELMAR D. & DELORES A. KENNEL

TAXLOT #: 1401
TAXLOT #: 1400

0.1 ACRES (OFF)
2.8 ACRES (ON)

Date: 7/1/2013

FILE: \\TRANSFER\WRTRANS\13IT-2013-010\181309_SNE

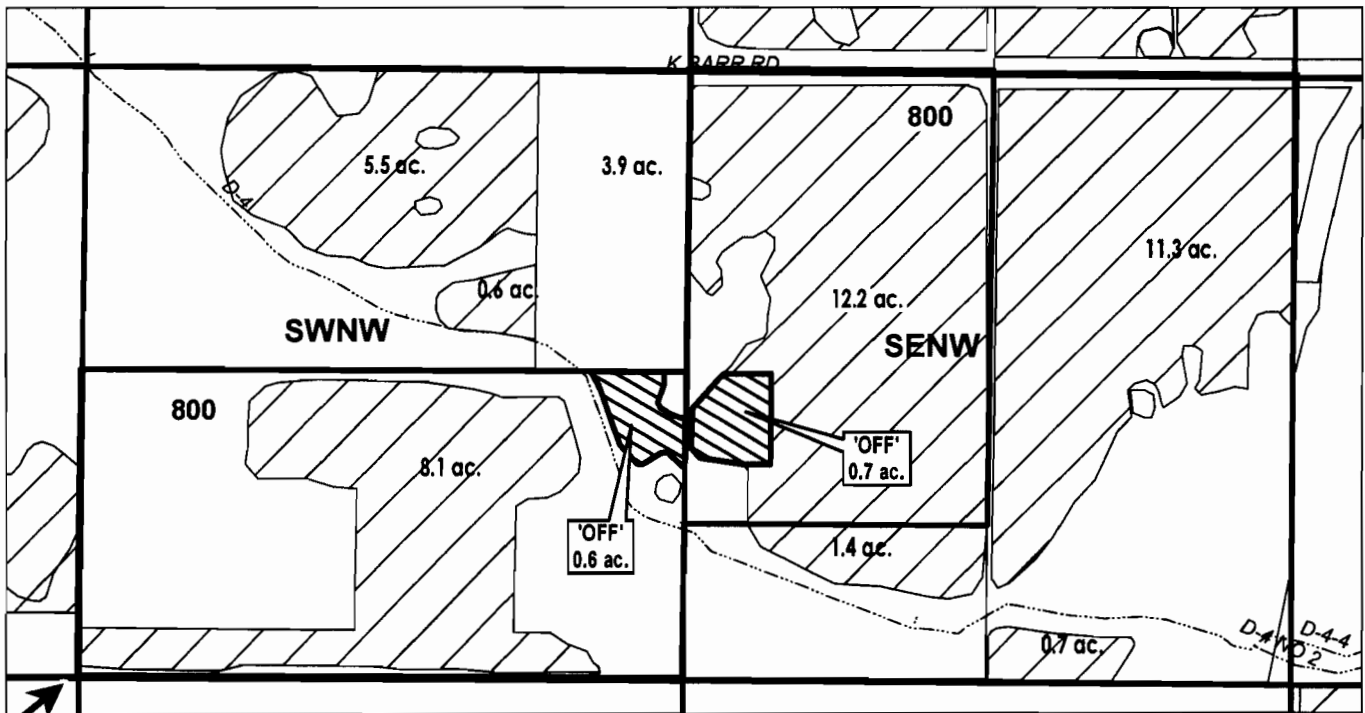
DESCHUTES COUNTY SEC.10 T18S R13E

SCALE - 1" = 400'



SW 1/4 OF THE NW 1/4; SE 1/4 OF THE NW 1/4

DISTRICT INTERNAL
NOTICE #: T-2013-010



W 1/4 COR

RECEIVED BY OWRD

DEC 05 2013

SALEM, OR

	EXISTING WATER RIGHTS
	OFF LANDS
	PARCELS W/ WATER RIGHTS

"OFF" MAP



APPLICATION FOR WATER RIGHTS TRANSFER

DELMAR D. & DELORES A. KENNEL / DELMAR D. & DELORES A. KENNEL

TAXLOT #: 800

1.3 ACRES

Date: 7/1/2013

FILE: I:\TRANSFER\WRTRANS13IT-2013-010\181310_SNW

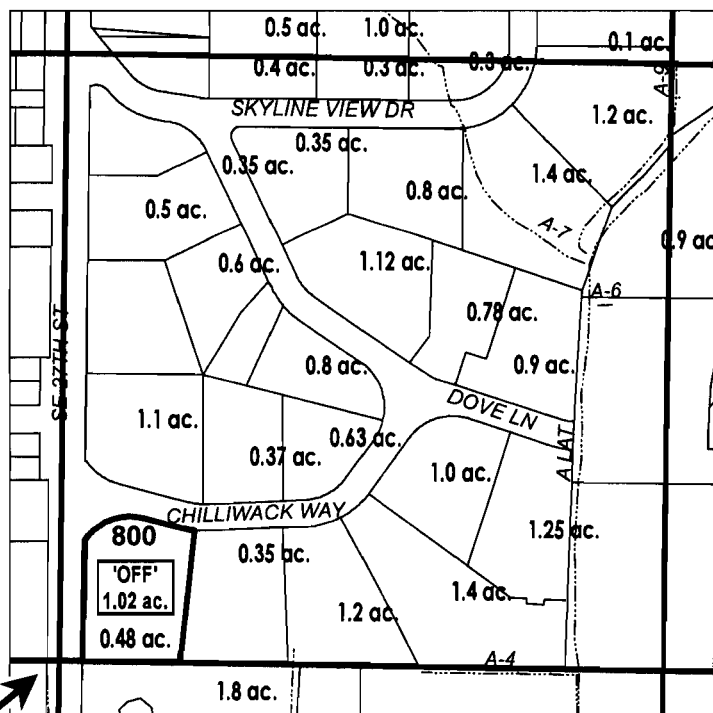
DESCHUTES COUNTY SEC.02 T18S R12E

SCALE - 1" = 400'



SW 1/4 OF THE NW 1/4

DISTRICT INTERNAL
NOTICE #: T-2013-010



W 1/4 COR →

RECEIVED BY OWRD

DEC 05 2013

SALEM, OR

"OFF" MAP

# ac.	'OFF' LAND PARCELS
# ac.	PARCELS W/ WATER RIGHTS



APPLICATION FOR WATER RIGHTS TRANSFER
COID QUITCLAIM / DELMAR D. & DELORES A. KENNEL

TAXLOT #: 800

1.02 ACRES

Date: 7/1/2013

FILE: I:\TRANSFER\WRTRANS13IT-2013-010\181202_SWNW

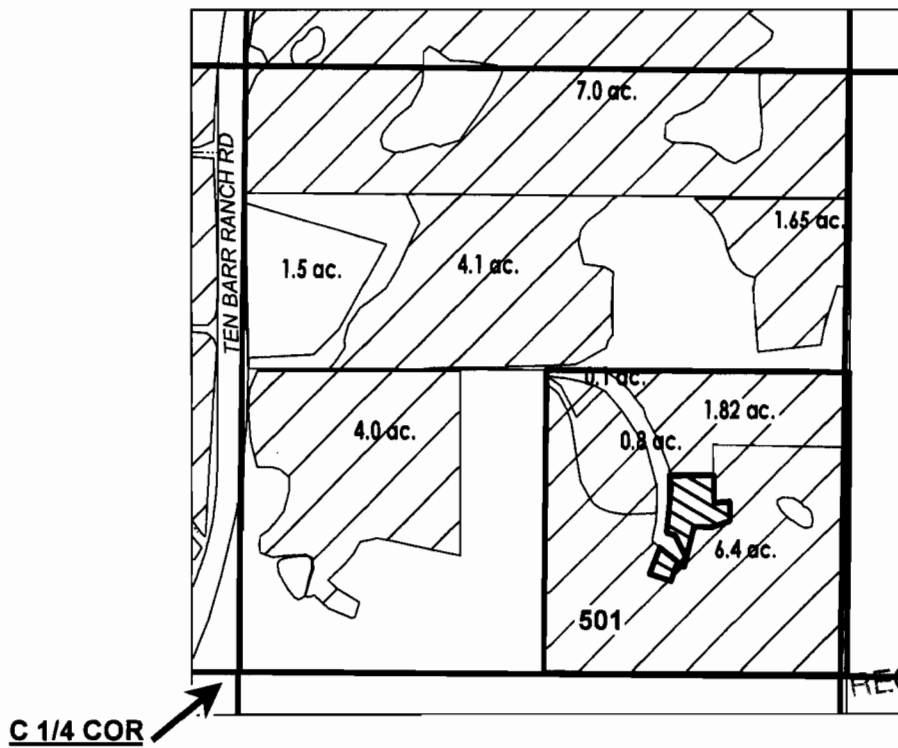
DESCHUTES COUNTY SEC.03 T18S R13E

SCALE - 1" = 400'



SW 1/4 OF THE NE 1/4

DISTRICT INTERNAL
NOTICE #: T-2013-010



RECEIVED BY OWRD
DEC 05 2013
SALEM, OR

	EXISTING WATER RIGHTS
	OFF LANDS
	PARCELS W/ WATER RIGHTS

"OFF" MAP



APPLICATION FOR WATER RIGHTS TRANSFER
COID QUITCLAIM / DELAMR D. & DELORES A. KENNEL

TAXLOT #: 501

0.38 ACRES

Date: 7/1/2013

FILE: I:\TRANSFER\WRTRANS13\T-2013-010\181303_SWNE

DESCHUTES COUNTY SEC.06 T14S R13E

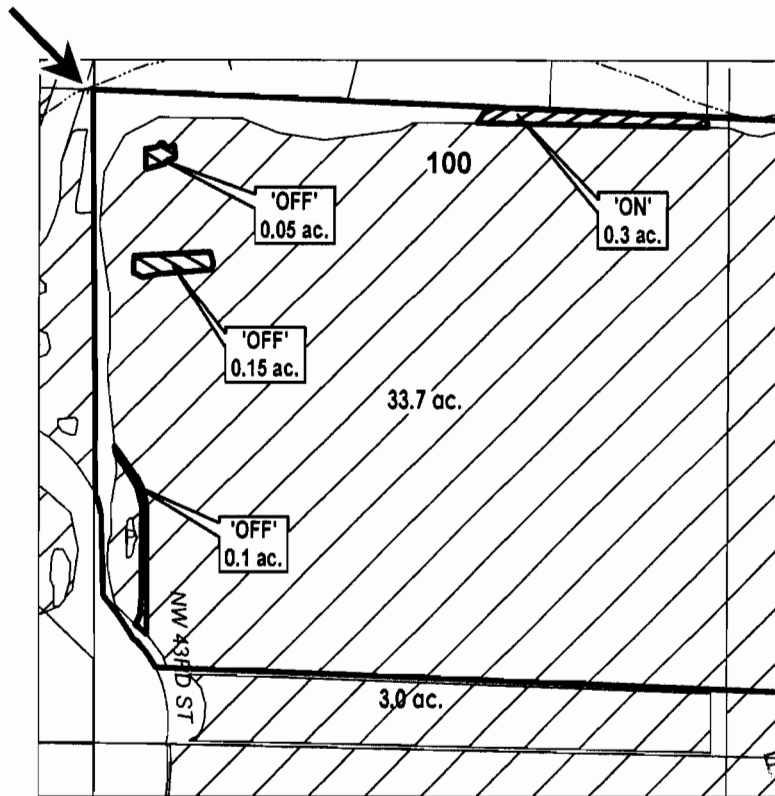
SCALE - 1" = 400'



NW 1/4 OF THE SE 1/4

DISTRICT INTERNAL
NOTICE #: T-2013-011

C 1/4 COR



RECEIVED BY OWRD
DEC 05 2013
SALEM, OR

"OFF / ON" MAP

	EXISTING WATER RIGHTS
	OFF LANDS
	ON LANDS
	POND

CENTRAL OREGON



IRRIGATION DISTRICT

APPLICATION FOR WATER RIGHTS TRANSFER

STEPHAN P. & TINA K. ABBEY / STEPHAN P. & TINA K. ABBEY

TAXLOT #: 100

0.3 ACRES

Date: 8/8/2013

FILE: I:\TRANSFER\WRTRANS13\141306 NWSE

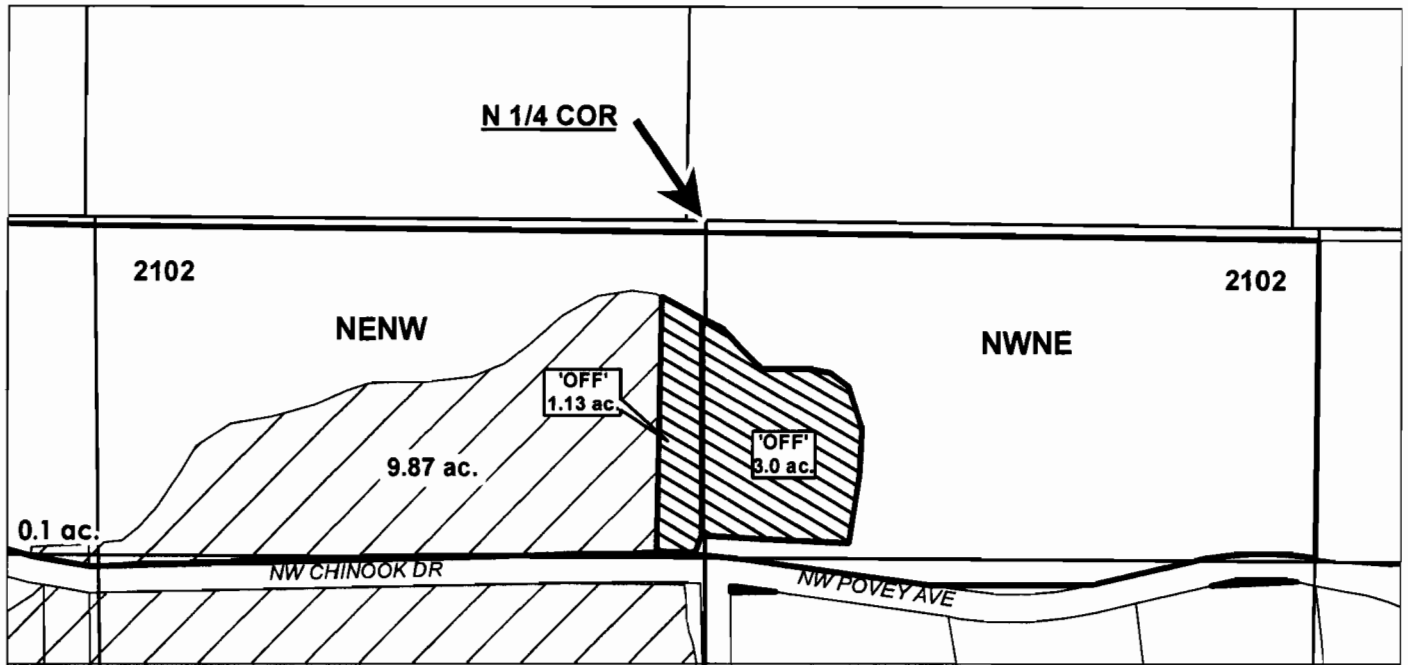
DESCHUTES COUNTY SEC.06 T14S R13E

SCALE - 1" = 400'



NE 1/4 OF THE NW 1/4, NW 1/4 OF THE NE 1/4

DISTRICT INTERNAL
NOTICE #: T-2013-012

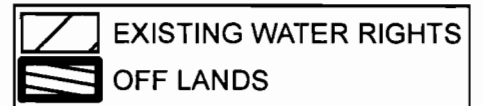


RECEIVED BY OWRD

DEC 05 2013

SALEM, OR

"OFF" MAP



APPLICATION FOR WATER RIGHTS TRANSFER

TERRY L. JOHNSTON / WAYNE D. & PAMELA A IREY;
JOHN E & SHARAL R. CROSS, TRUSTEES CROSS REV. TRUST

TAXLOT #: 2101

4.13 ACRES

DATE: 07-28-11

FILE: I\TRANSFER\WRTRANS13\T-2013-012\141306_NWNE

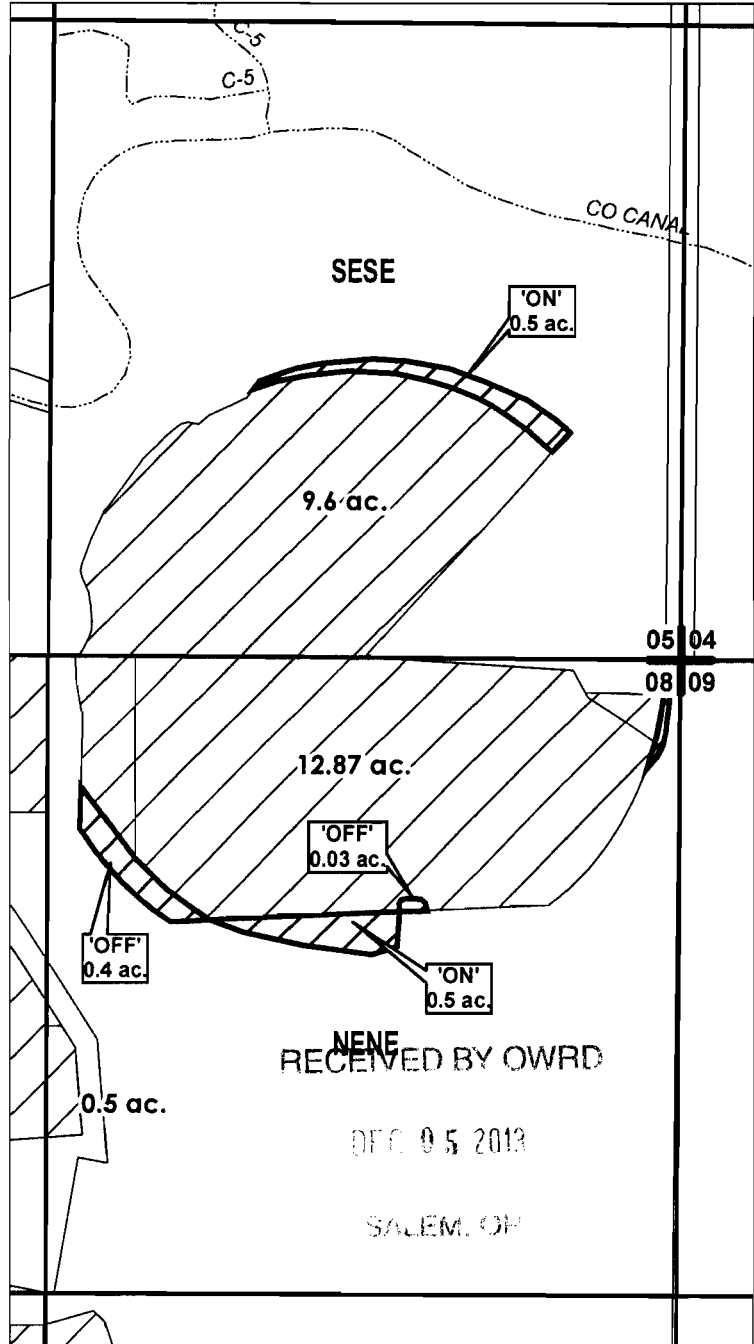
DESCHUTES COUNTY SEC.05, 08 T18S R13E

SCALE - 1" = 400'



SE 1/4 OF THE SE 1/4 (SEC 05); NE 1/4 OF THE NE 1/4 (SEC 08)

DISTRICT INTERNAL
NOTICE #: T-2013-013



"OFF / ON" MAP

	EXISTING WATER RIGHTS
	OFF LANDS
	ON LANDS



APPLICATION FOR WATER RIGHTS TRANSFER

COID QUITCLAIMS; CURTIS O. BANEY TRUST /
CURTIS O. BANEY TRUST; BANEY CORPORATION

TAXLOT #: 201, 100

1.05 ACRES

DATE: 8/29/2013

FILE: I:\TRANSFER\WRTRANS13\181305_08NENE

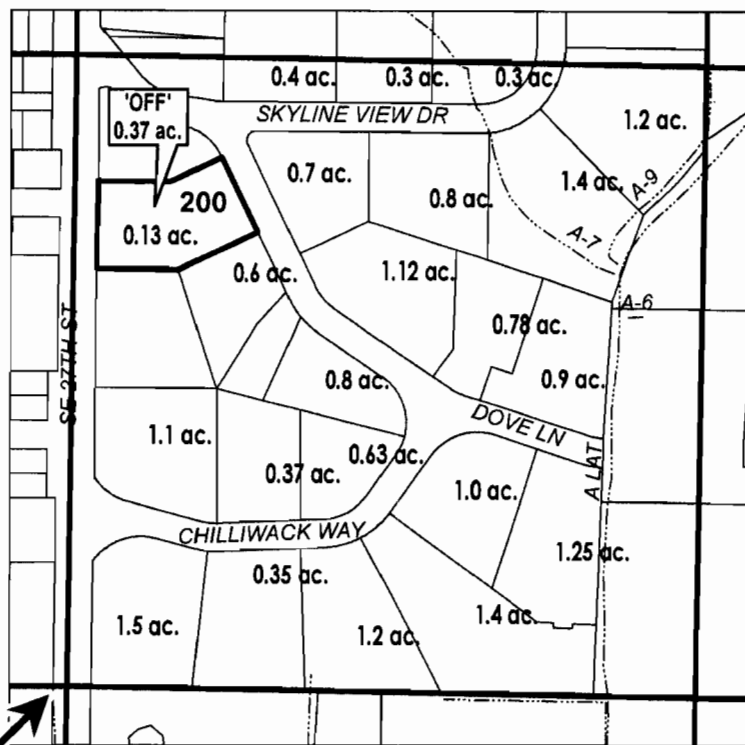
DESCHUTES COUNTY SEC.02 T18S R12E

SCALE - 1" = 400'



SW 1/4 OF THE NW 1/4

DISTRICT INTERNAL
NOTICE #: T-2013-013



RECEIVED BY OWRD
DEC 05 2013
SALEM, OR

W 1/4 COR →

# ac.	'OFF' LAND PARCELS
# ac.	PARCELS W/ WATER RIGHTS

"OFF" MAP



APPLICATION FOR WATER RIGHTS TRANSFER

COID QUITCLAIM / CURTIS O. BANEY TRUST

TAXLOT #: 200

0.37 ACRES

Date: 8/29/2013

FILE: \\TRANSFER\WRTRANS13\181202_SWNW

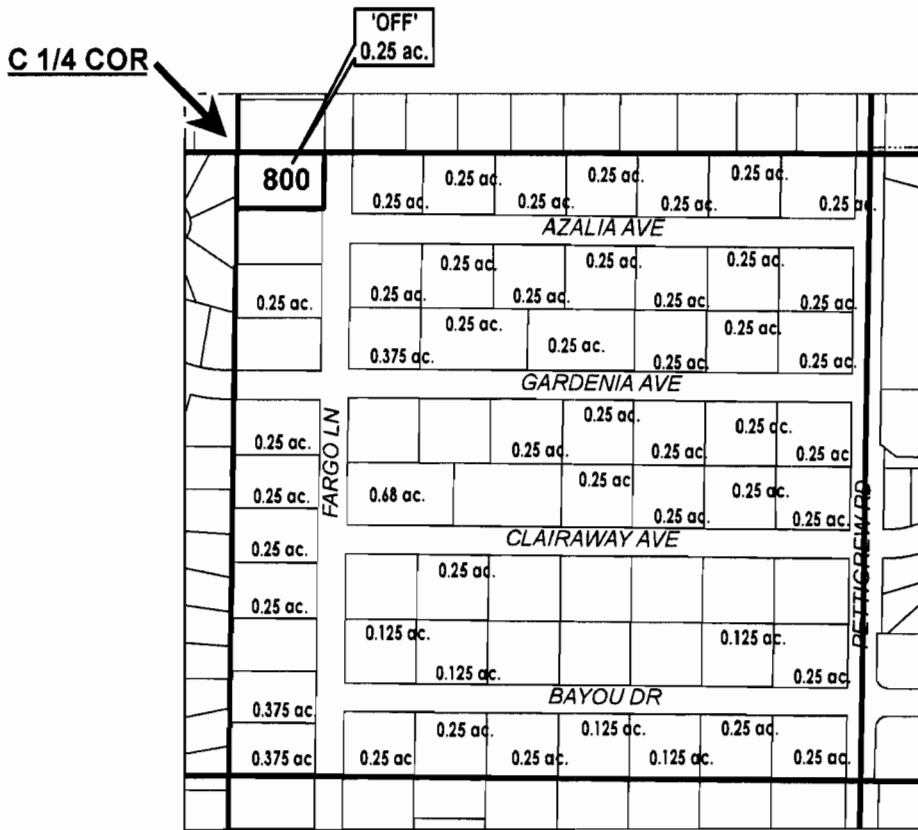
DESCHUTES COUNTY SEC.03 T18S R12E

SCALE - 1" = 400'



NW 1/4 OF THE SE 1/4

DISTRICT INTERNAL
NOTICE #: T-2013-013



RECEIVED BY OWRC
DEC 05 2013
SALEM, OR

"OFF" MAP

# ac.	'OFF' LAND PARCELS
# ac.	PARCELS W/ WATER RIGHTS



APPLICATION FOR WATER RIGHTS TRANSFER

COID QUITCLAIM / CURTIS O. BANEY TRUST

TAXLOT #: 800

0.25 ACRES

Date: 8/29/2013

FILE: I:\TRANSFER\WRTRANS13IT-2013-013\181302_NWSE

P-2013-002

ON MAPS

RECEIVED BY OWRC
DEC 05 2013
SALEM, OR

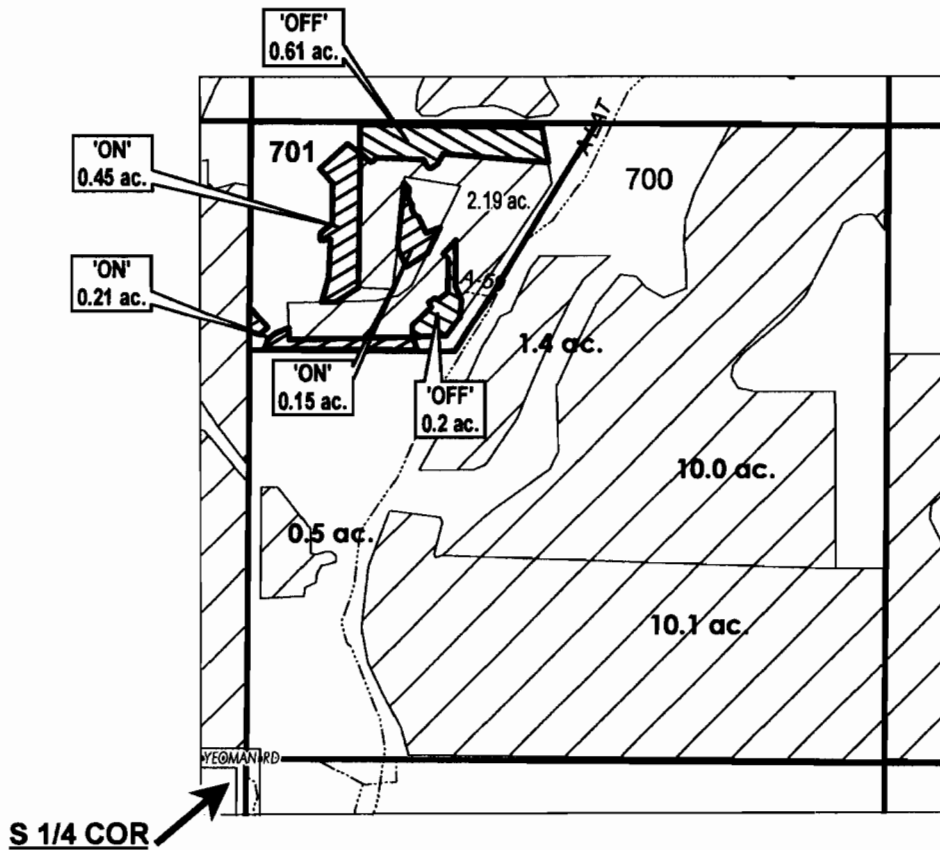
DESCHUTES COUNTY SEC.14 T17S R12E

SCALE - 1" = 400'



SW 1/4 OF THE SE 1/4

DISTRICT INTERNAL
NOTICE #: T-2013-008



RECEIVED BY OWRD
DEC 05 2013
SALEM, OR

	EXISTING WATER RIGHTS
	OFF LANDS
	ON LANDS

"OFF / ON" MAP

APPLICATION FOR WATER RIGHTS TRANSFER

CYNTHIA L. BECK / CYNTHIA L. BECK

TAXLOT #: 701

0.81 ACRES



Date: 5/29/2013

FILE: I:\TRANSFER\WRTRANS13171214_SWSE

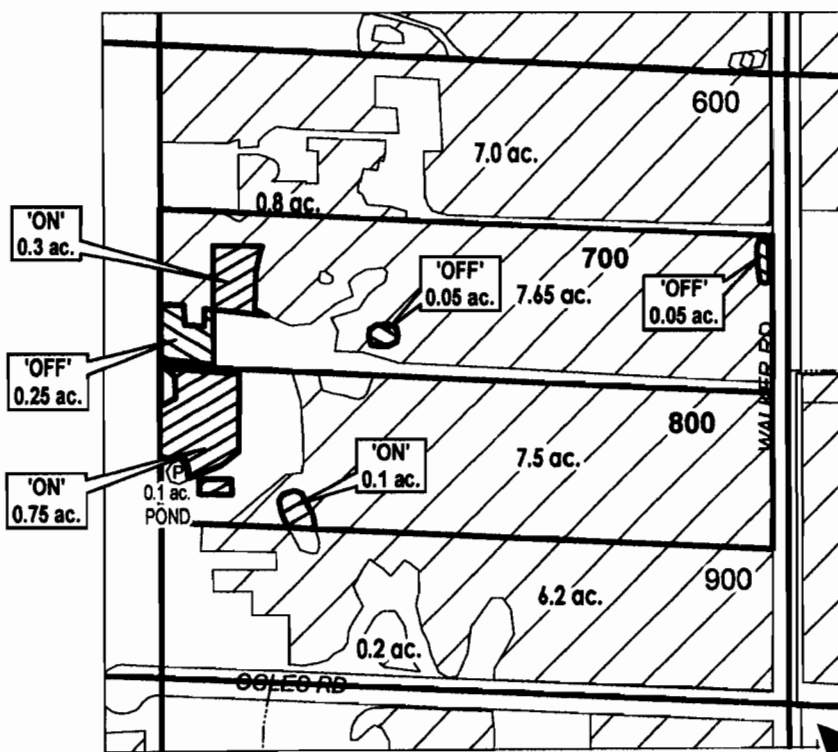
DESCHUTES COUNTY SEC.27 T17S R14E

SCALE - 1" = 400'



SE 1/4 OF THE NE 1/4

DISTRICT INTERNAL
NOTICE #: T-2013-009



RECEIVED BY OWRD
DEC 05 2013
SALEM, OH

E 1/4 COR

	EXISTING WATER RIGHTS
	OFF LANDS
	ON LANDS
	POND

"OFF / ON" MAP

CENTRAL OREGON



IRRIGATION DISTRICT

APPLICATION FOR WATER RIGHTS TRANSFER

COUGAR CAVERHILL & SANDRA MCGREGOR-CAVERHILL, COID /
COUGAR CAVERHILL & SANDRA MCGREGOR-CAVERHILL

TAXLOT #: 700, 800

1.15 ACRES (0.3 TL 700, 0.85 TL 800)

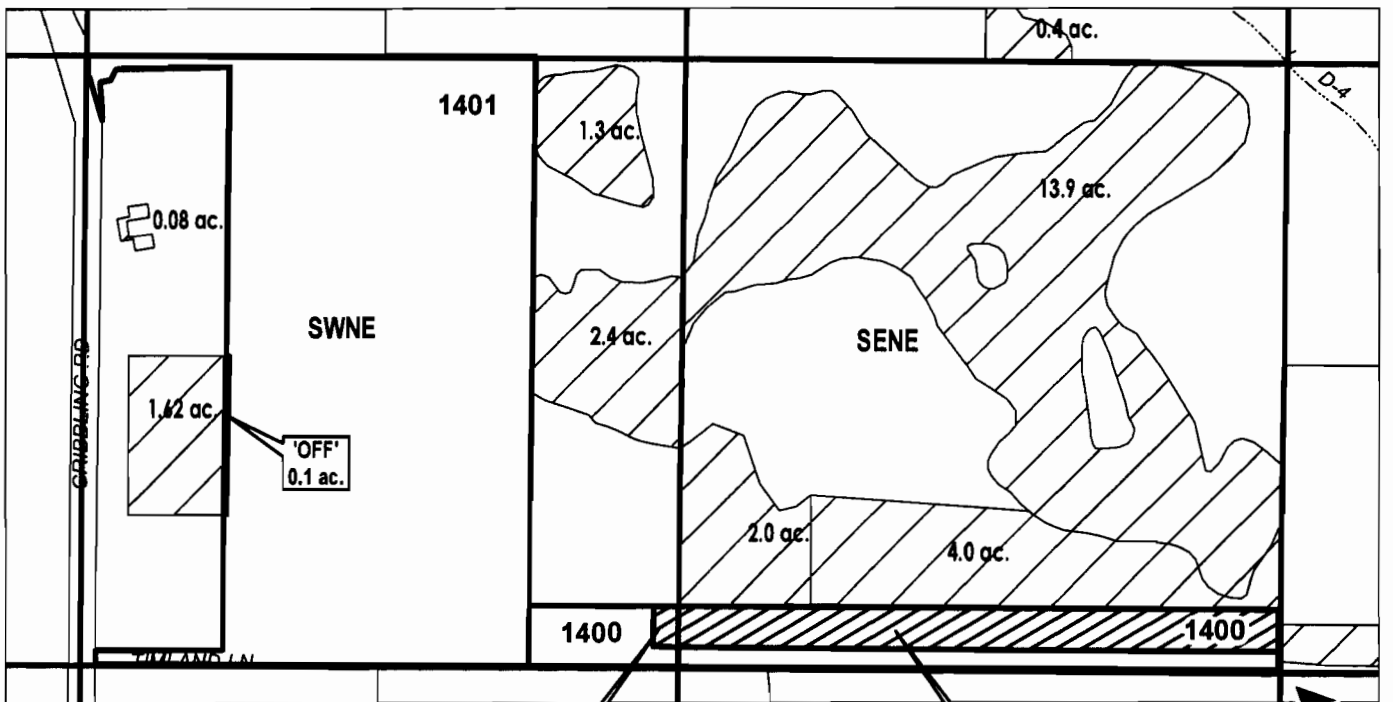
DESCHUTES COUNTY SEC.09 T18S R13E

SCALE - 1" = 400'



SW 1/4 OF THE NE 1/4, SE 1/4 OF THE NE 1/4

DISTRICT INTERNAL
NOTICE #: T-2013-010



RECEIVED BY OWRD
DEC. 05 2013

SALEM, OR

	EXISTING WATER RIGHTS
	OFF LANDS
	ON LANDS

"OFF / ON" MAP



APPLICATION FOR WATER RIGHTS TRANSFER

DELMAR D. & DELORES A. KENNEL / DELMAR D. & DELORES A. KENNEL

TAXLOT #: 1401
TAXLOT #: 1400

0.1 ACRES (OFF)
2.8 ACRES (ON)

Date: 7/1/2013

FILE: I:\TRANSFER\WRTRANS13IT-2013-010\181309_SNE

DESCHUTES COUNTY SEC.06 T14S R13E

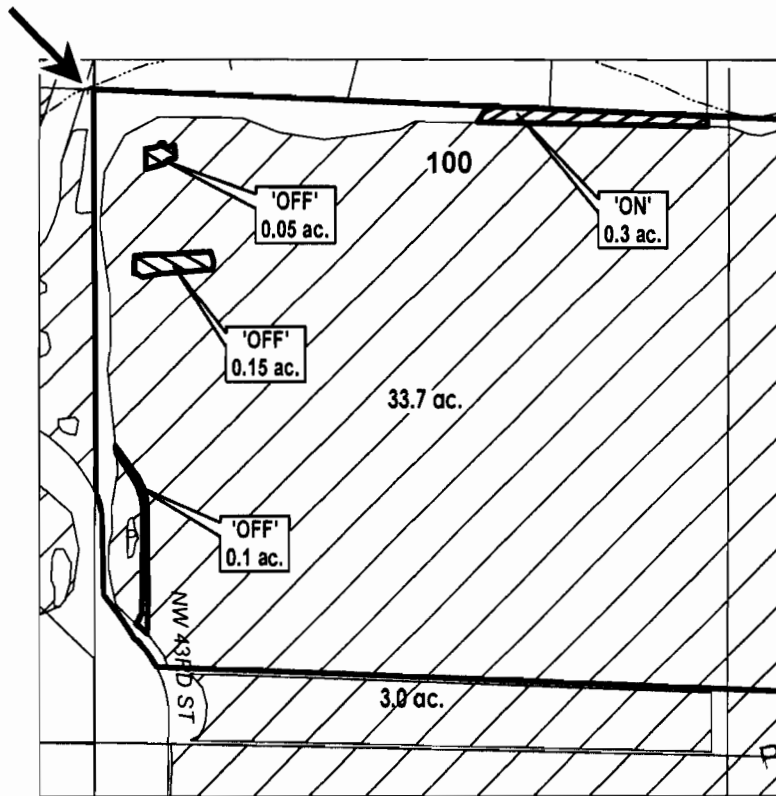
SCALE - 1" = 400'



NW 1/4 OF THE SE 1/4

DISTRICT INTERNAL
NOTICE #: T-2013-011

C 1/4 COR



RECEIVED BY OWRI
DEC. 05 2013
SALEM, OR

	EXISTING WATER RIGHTS
	OFF LANDS
	ON LANDS
	POND

"OFF / ON" MAP



APPLICATION FOR WATER RIGHTS TRANSFER
STEPHAN P. & TINA K. ABBEY / STEPHAN P. & TINA K. ABBEY

TAXLOT #: 100

0.3 ACRES

Date: 8/8/2013

FILE: \\TRANSFER\WRTRANS\131141306 NWSE

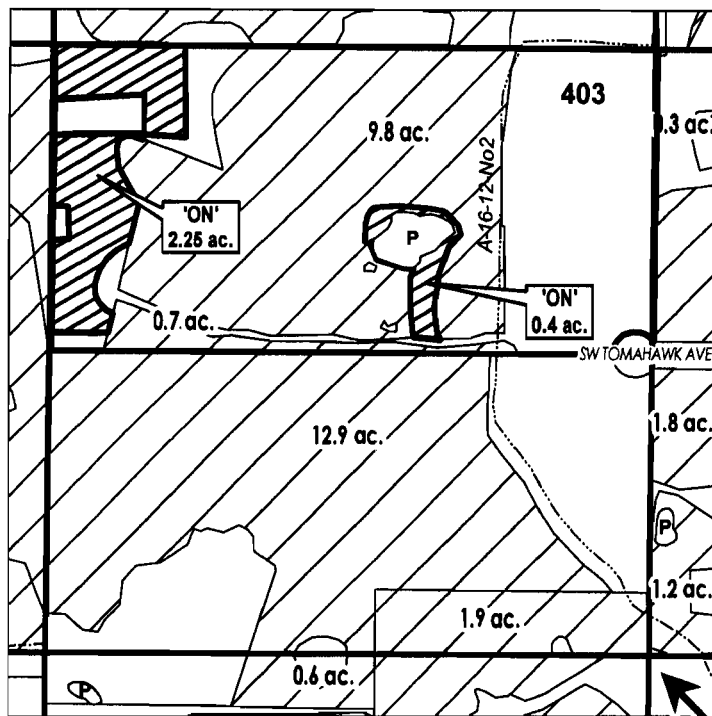
DESCHUTES COUNTY SEC.12 T16S R12E

SCALE - 1" = 400'

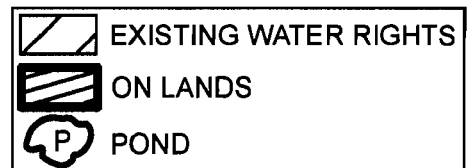


SE 1/4 OF THE NW 1/4

DISTRICT INTERNAL
NOTICE #: T-2013-012



RECEIVED BY OWRO
DEC 05 2013
SALEM, OR
C 1/4 COR



"ON" MAP



APPLICATION FOR WATER RIGHTS TRANSFER

TERRY L. JOHNSTON / WAYNE D. & PAMELA A. IREY

TAXLOT #: 403

2.65 ACRES

Date: 7/8/2013

FILE: I:\TRANSFER\WRTRANS13IT-2013-012\161212_SENW

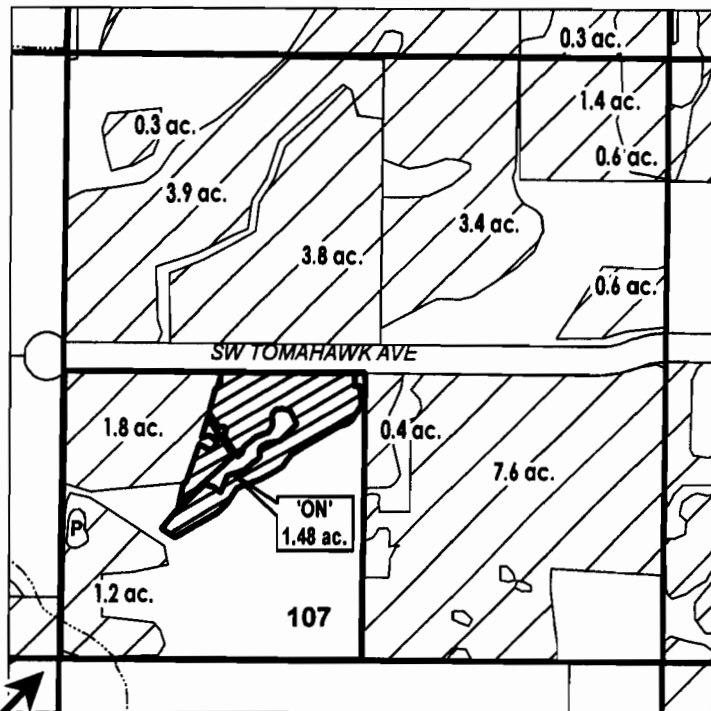
DESCHUTES COUNTY SEC.12 T16S R12E

SCALE - 1" = 400'



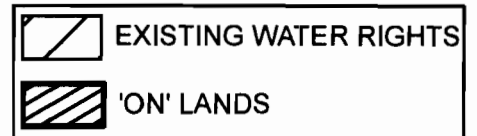
SW 1/4 OF THE NE 1/4

DISTRICT INTERNAL
NOTICE #: T-2013-012



C 1/4 COR

RECEIVED BY OWRD
DEC 05 2013
SALEM, OR



"ON" MAP



APPLICATION FOR WATER RIGHTS TRANSFER
TERRY L. JOHNSTON / JOHN E. & SHARAL R. CROSS,
TRUSTEES FOR THE CROSS REVOCABLE TRUST

TAXLOT #: 107

1.48 ACRES

Date: 7/8/2013

FILE: I:\TRANSFER\WRTRANS13\T-2013-012\161212_SWNE

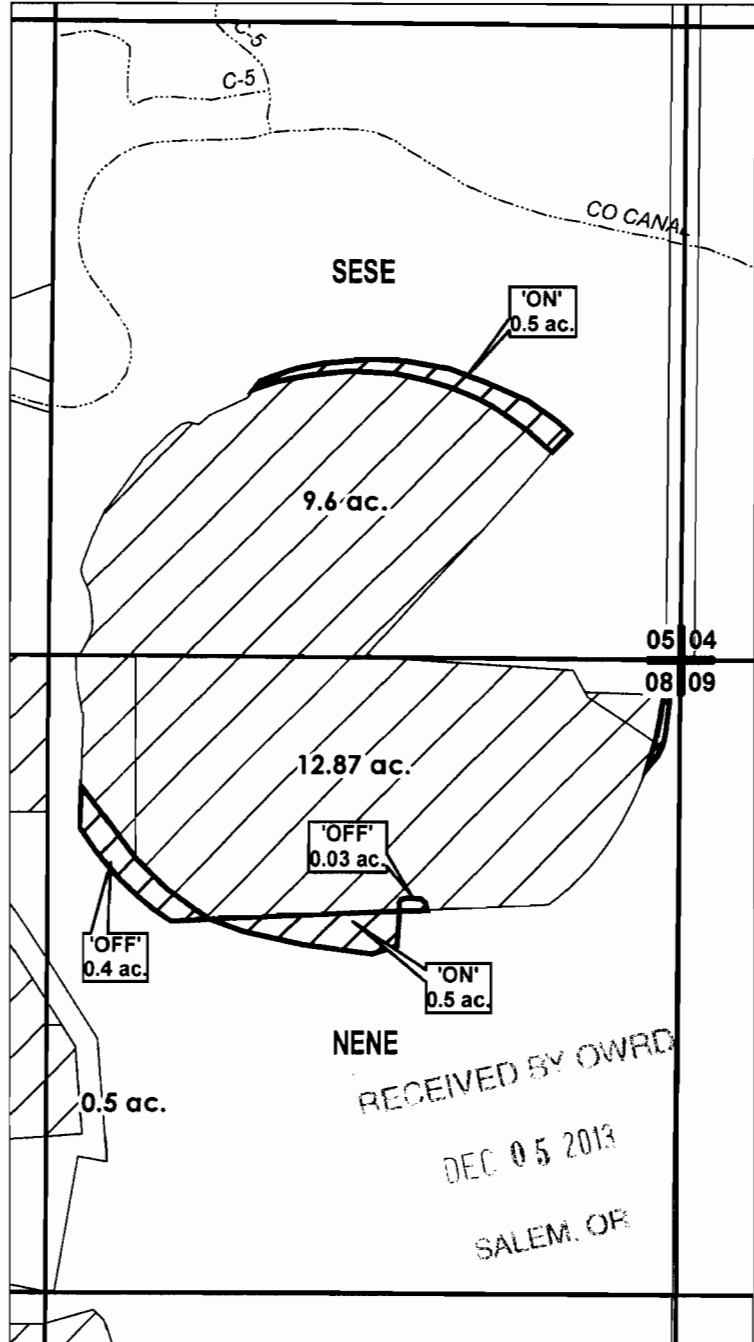
DESCHUTES COUNTY SEC.05, 08 T18S R13E

SCALE - 1" = 400'



SE 1/4 OF THE SE 1/4 (SEC 05); NE 1/4 OF THE NE 1/4 (SEC 08)

DISTRICT INTERNAL
NOTICE #: T-2013-013



"OFF / ON" MAP

	EXISTING WATER RIGHTS
	OFF LANDS
	ON LANDS



APPLICATION FOR WATER RIGHTS TRANSFER

COID QUTICLAIMS; CURTIS O. BANEY TRUST /
CURTIS O. BANEY TRUST; BANEY CORPORATION

TAXLOT #: 201, 100

1.05 ACRES

DATE: 8/29/2013

FILE: I:\TRANSFER\WRTRANS\131181305_08NENE