

MAP TO ACCOMPANY APPLICATION FOR A WATER RIGHT TRANSFER

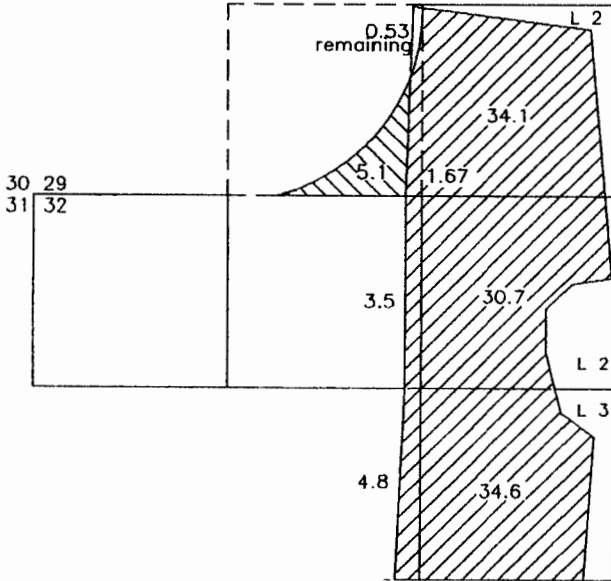
T-8735


BUCKLEY D. & KATHRYN L. CHURCH
Lake County, Oregon

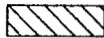


SCALE
1" = 1320'

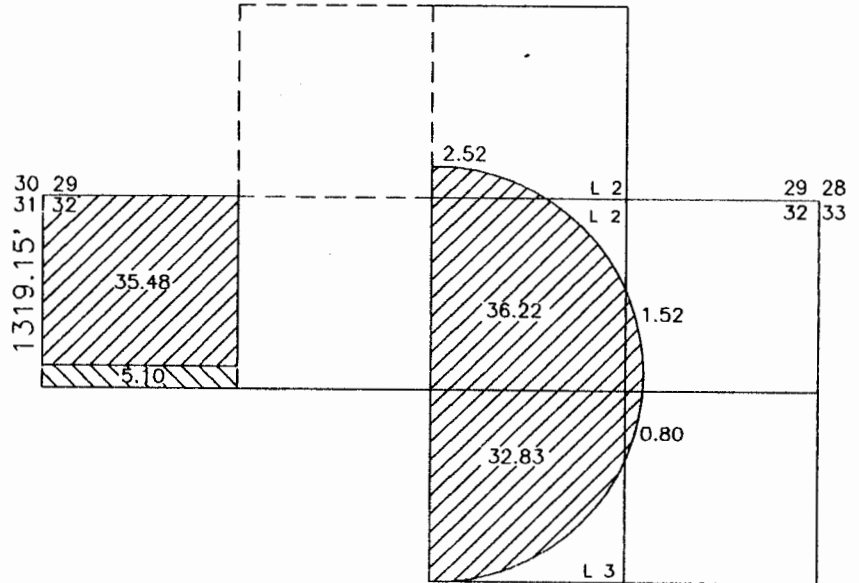
AUTHORIZED PLACE OF USE
T.26S. R.18E., W.M.
SECTIONS 29 & 32
TAX LOT 8000





 109.37 acres to transfer
Application G-10996 Permit G-10172
Certificate 55704

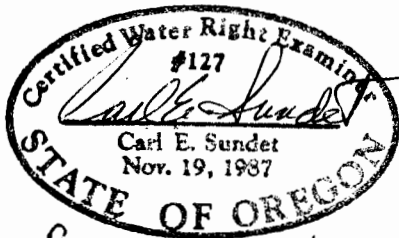
 5.10 acres to transfer
Application G-9756 Permit G-9015
Certificate 55702

PROPOSED PLACE OF USE
T.26S. R.18E., W.M.
SECTIONS 29 & 32
TAX LOT 8000



 109.37 acres transferred to
Application G-10996 Permit G-10172
Certificate 55704

 5.10 acres transferred to
Application G-9756 Permit G-9015
Certificate 55702



RENEWS 6/30/02

Survey by: Sundet & Associates
424 North 1st St
P.O. Box 1228
Lakeview, Or 97630
541-947-3293
January 2001 DR #12901

RECEIVED

MAR 29 2001

WATER RESOURCES DEPT
SALEM, OREGON