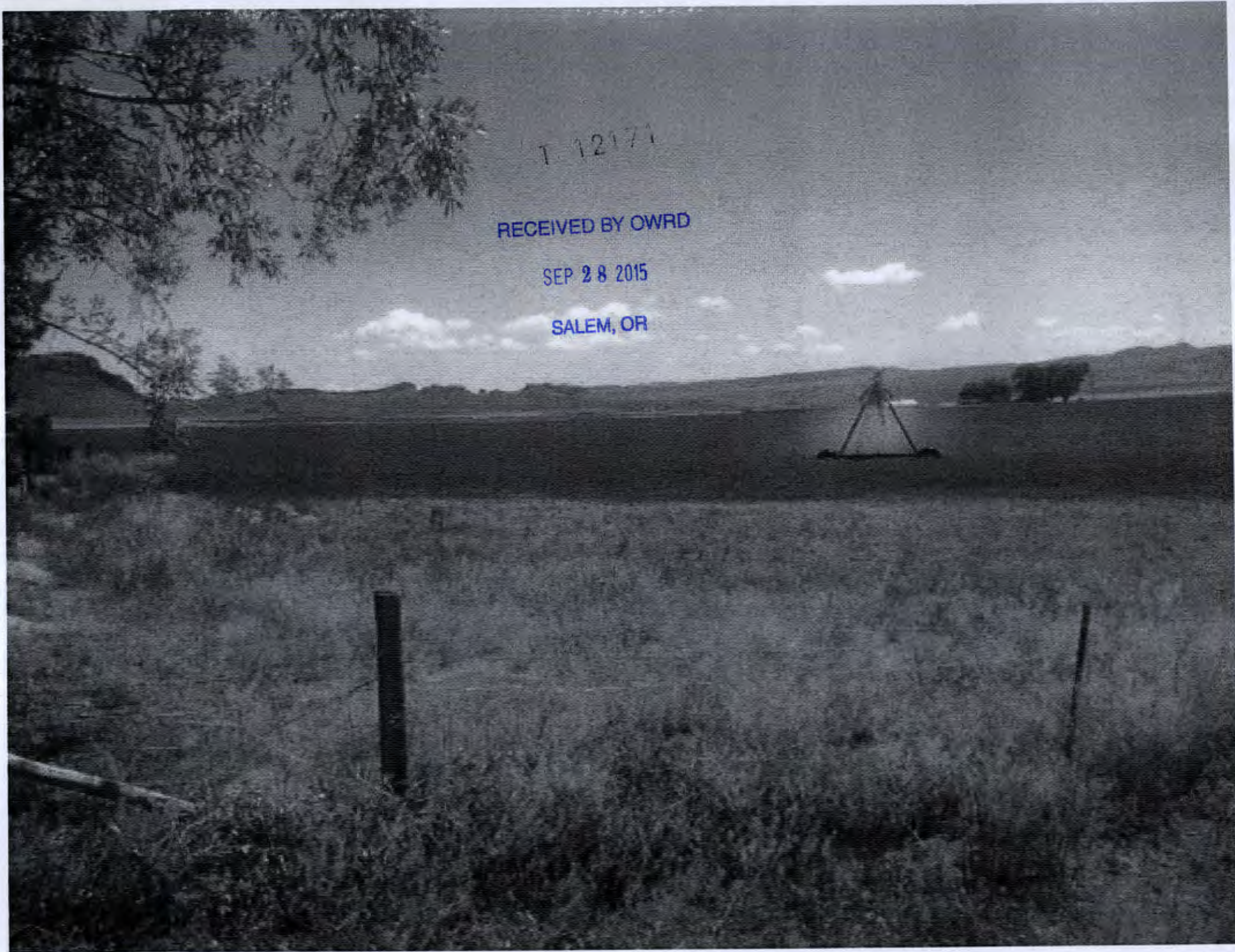


T. 12171

RECEIVED BY OWRD

SEP 28 2015

SALEM, OR



RECEIVED BY OWRD

SEP 28 2015

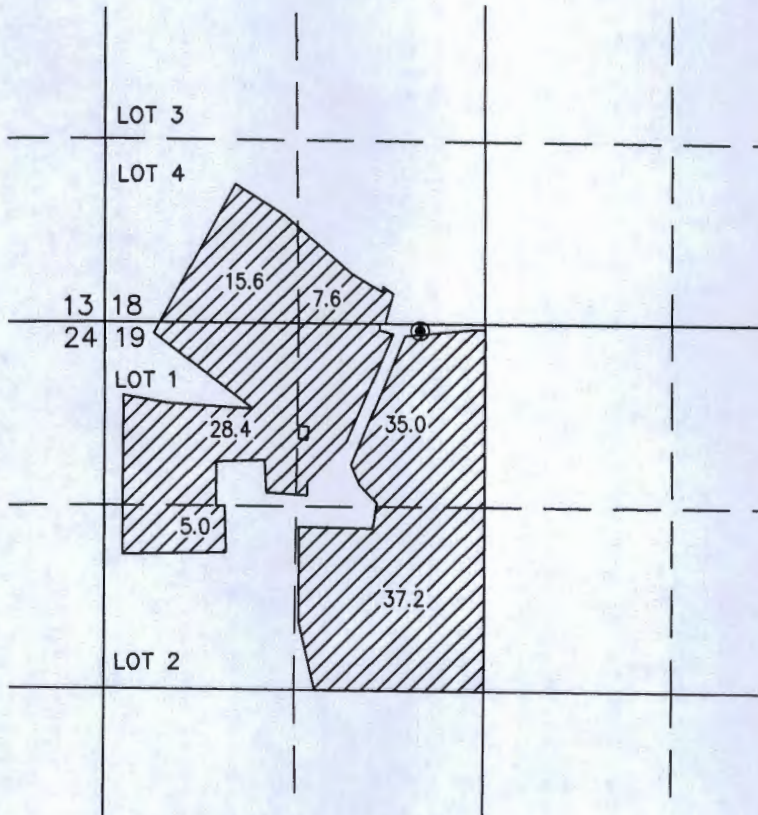
SALEM, OR

T 12171



# MAP TO ACCOMPANY APPLICATION TO CHANGE PLACE OF USE AND POINT OF APPROPRIATION FOR JRS PROPERTIES III

"FROM" TAX LOT 1700 IN  
SECTIONS 18 & 19, TOWNSHIP 28 SOUTH, RANGE 16 EAST, W.M.  
LAKE COUNTY, OREGON



Certified Water Right Examiner  
#51324 WRE  
**PRELIMINARY**  
Scott D. Montgomery  
May 21, 2001  
STATE OF OREGON  
RENEWAL DATE: 12/31/2016

**ALL POINTS ENGINEERING  
& SURVEYING, INC.**  
P.O. BOX 767  
TERREBONNE, OREGON 97760  
(541) 548-5833 PH  
Scott@APEandS.com  
www.APEandS.com

RECEIVED BY OWRD      RECEIVED BY OWRD

SEP 28 2015

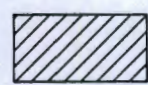
SEP 08 2015

SALEM, OR

SALEM, OR

LAKE 1405 PERMIT U-597

● VAUGHN WELL #1 LOCATED IN THE NE 1/4 NW 1/4 SECTION 19 AND 1270 FEET NORTH AND 470 FEET WEST FROM THE CN 1/16 CORNER.



128.8 ACRES WATER RIGHTS FROM C #27013 (U-597) TRANSFERRED, AS SHOWN.

THIS MAP IS FOR THE PURPOSE OF LOCATING A WATER RIGHT ONLY AND HAS NO INTENT TO PROVIDE LEGAL DIMENSIONS OR THE LOCATION OF PROPERTY LINES.

PROJECT No. 15-074

PREPARED AT THE REQUEST OF:  
JRS PROPERTIES III  
P.O. BOX 27  
BOISE, ID 83707

T 12171

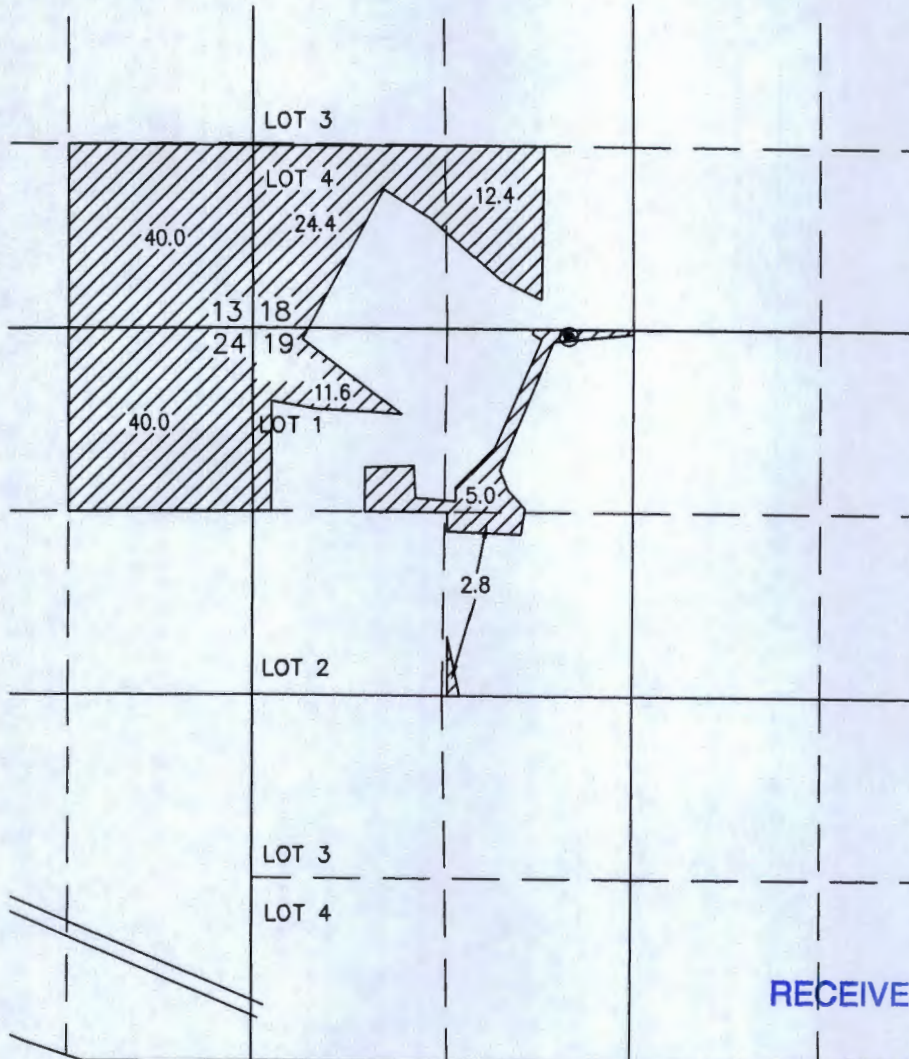
MAP TO ACCOMPANY APPLICATION  
TO CHANGE PLACE OF USE  
AND POINT OF APPROPRIATION  
FOR  
JRS PROPERTIES III

RECEIVED BY OWRD

SEP 08 2015

SALEM, OR

"FROM" TAX LOT 500 IN  
SECTIONS 13 & 24, TOWNSHIP 28 SOUTH, RANGE 15 EAST, W.M. AND  
TAX LOT 1700 IN  
SECTIONS 18 & 19, TOWNSHIP 28 SOUTH, RANGE 16 EAST, W.M.  
LAKE COUNTY, OREGON



SCALE 4" = 1 MILE

ALL POINTS ENGINEERING  
& SURVEYING, INC.

P.O. BOX 767  
TERREBONNE, OREGON 97760  
(541) 548-5833 PH  
Scott@APEandS.com  
www.APEandS.com



Certified Water Right Examiner  
#51324 WRE  
**PRELIMINARY**  
Scott D. Montgomery  
May 21, 2001  
STATE OF OREGON  
RENEWAL DATE: 12/31/2016

RECEIVED BY OWRD

SEP 28 2015

SALEM, OR

LAKE 1405 PERMIT G-5755

● VAUGHN WELL #1 LOCATED IN THE NE 1/4 NW 1/4 SECTION 19 AND 50 FEET SOUTH AND 2150 FEET EAST FROM THE NW CORNER.



136.2 ACRES WATER RIGHTS FROM C #48889 (G-5755) TRANSFERRED, AS SHOWN.

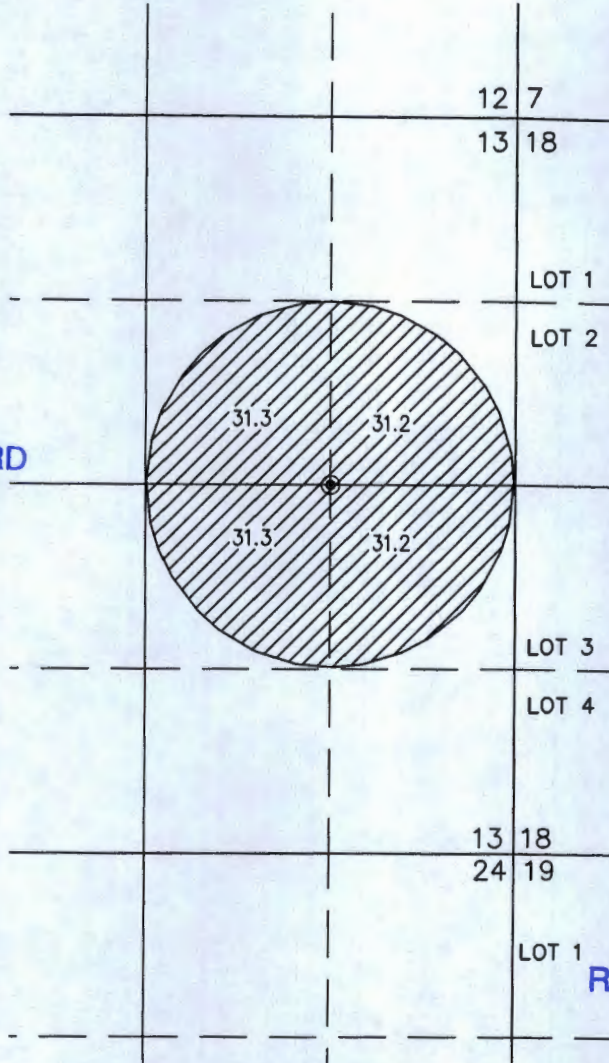
THIS MAP IS FOR THE PURPOSE OF LOCATING A WATER RIGHT ONLY AND HAS NO INTENT TO PROVIDE LEGAL DIMENSIONS OR THE LOCATION OF PROPERTY LINES.

PROJECT No. 15-074

PREPARED AT THE REQUEST OF:  
JRS PROPERTIES III  
P.O. BOX 27  
BOISE, ID 83707

MAP TO ACCOMPANY APPLICATION  
TO CHANGE PLACE OF USE  
AND POINT OF APPROPRIATION  
FOR  
JRS PROPERTIES III

"FROM" TAX LOT 500 IN  
SECTION 13, TOWNSHIP 28 SOUTH, RANGE 15 EAST, W.M.  
LAKE COUNTY, OREGON



RECEIVED BY OWRD

SEP 08 2015

SALEM, OR

RECEIVED BY OWRD

SEP 28 2015

SALEM, OR

LAKE 1333 PERMIT G-6552

⊙ VAUGHN VALLEY WELL #1 LOCATED IN THE NW 1/4 SE 1/4 SECTION 13 AND  
2640 FEET NORTH AND 1320 FEET WEST FROM THE SE CORNER.



125.0 ACRES WATER RIGHTS FROM C #48890  
(G-6552) TRANSFERRED, AS SHOWN.

THIS MAP IS FOR THE PURPOSE OF LOCATING A WATER  
RIGHT ONLY AND HAS NO INTENT TO PROVIDE LEGAL  
DIMENSIONS OR THE LOCATION OF PROPERTY LINES.

Certified Water Right Examiner  
#51324 WRE  
**PRELIMINARY**  
Scott D. Montgomery  
May 21, 2001  
STATE OF OREGON  
RENEWAL DATE: 12/31/2016

**ALL POINTS ENGINEERING  
& SURVEYING, INC.**

P.O. BOX 767  
TERREBONNE, OREGON 97760  
(541) 548-5833 PH  
Scott@APEandS.com  
www.APEandS.com



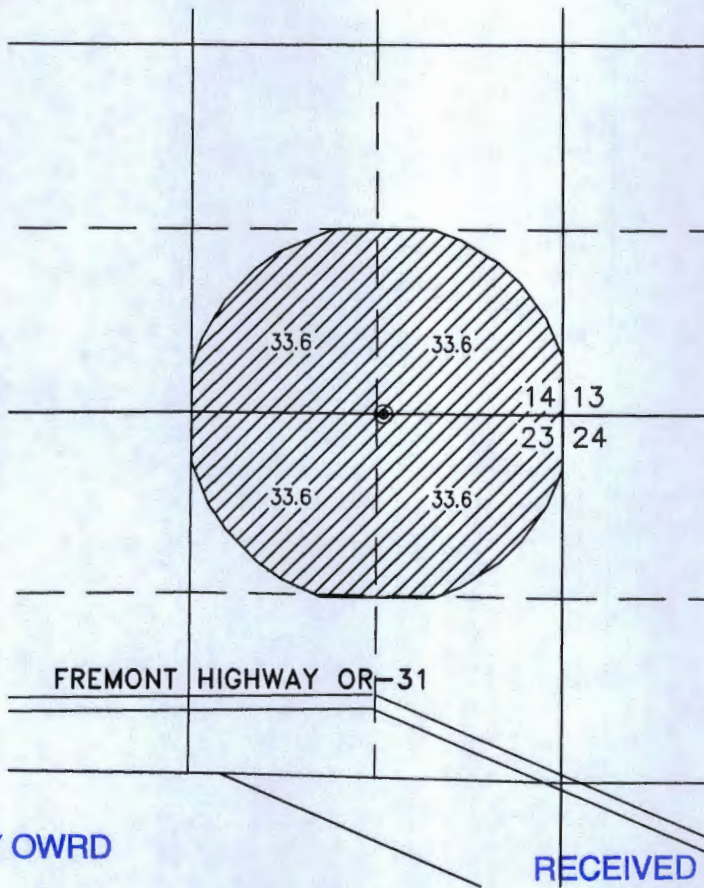
PROJECT No. 15-074

PREPARED AT THE REQUEST OF:

JRS PROPERTIES III  
P.O. BOX 27  
BOISE, ID 83707

MAP TO ACCOMPANY APPLICATION  
TO CHANGE PLACE OF USE  
AND POINT OF APPROPRIATION  
FOR  
JRS PROPERTIES III

"FROM" TAX LOT 500 IN  
SECTIONS 14 & 23, TOWNSHIP 28 SOUTH, RANGE 15 EAST, W.M.  
LAKE COUNTY, OREGON



RECEIVED BY OWRD

SEP 08 2015

SALEM, OR

RECEIVED BY OWRD

SEP 28 2015

SALEM, OR

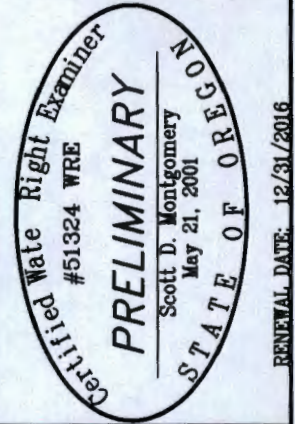
LAKE 1336 PERMIT G-8123

⊙ B FIELD WELL LOCATED IN THE SE 1/4 SW 1/4 SECTION 14 AND 10 FEET  
NORTH AND 1280 FEET WEST FROM THE SE CORNER.



134.4 ACRES WATER RIGHTS FROM C #150758  
(G-8123) TRANSFERRED, AS SHOWN.

THIS MAP IS FOR THE PURPOSE OF LOCATING A WATER  
RIGHT ONLY AND HAS NO INTENT TO PROVIDE LEGAL  
DIMENSIONS OR THE LOCATION OF PROPERTY LINES.



ALL POINTS ENGINEERING  
& SURVEYING, INC.

P.O. BOX 767  
TERREBONNE, OREGON 97760  
(541) 548-5833 PH  
Scott@APEandS.com  
www.APEandS.com



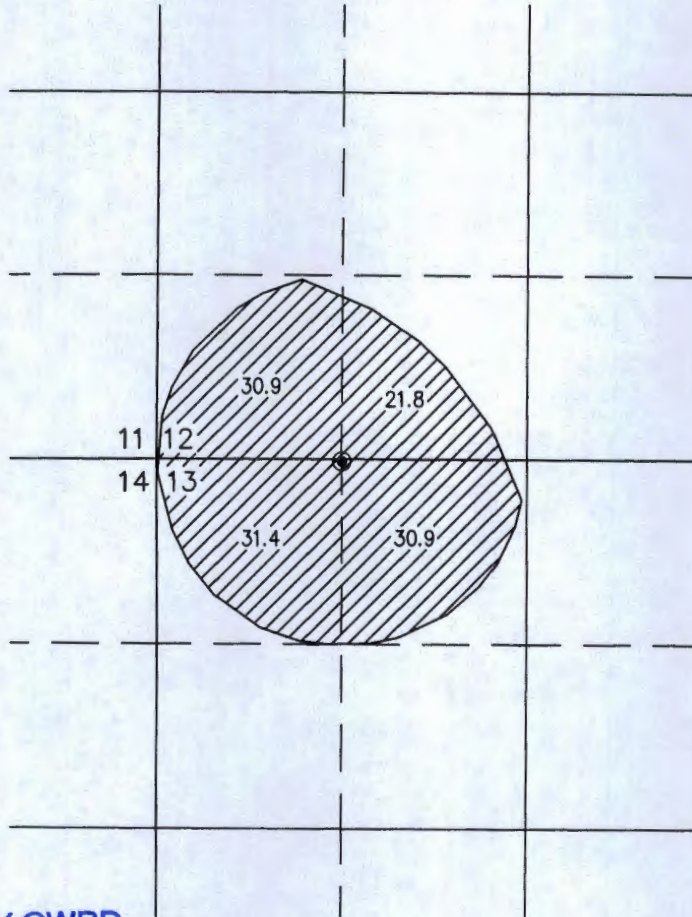
PROJECT No. 15-074

PREPARED AT THE REQUEST OF:

JRS PROPERTIES III  
P.O. BOX 27  
BOISE, ID 83707

**MAP TO ACCOMPANY APPLICATION  
TO CHANGE PLACE OF USE  
AND POINT OF APPROPRIATION  
FOR  
JRS PROPERTIES III**

*"FROM" TAX LOT 500 IN  
SECTIONS 12 & 13, TOWNSHIP 28 SOUTH, RANGE 15 EAST, W.M.  
LAKE COUNTY, OREGON*



**ALL POINTS ENGINEERING  
& SURVEYING, INC.**  
 P.O. BOX 767  
 TERREBONNE, OREGON 97760  
 (541) 548-5833 PH  
 Scott@APEandS.com  
 www.APEandS.com

RECEIVED BY OWRD

SEP 08 2015

SALEM, OR

RECEIVED BY OWRD

SEP 28 2015

SALEM, OR

LAKE 4283T-6501

● ZX WELL #19 LOCATED IN THE NW 1/4 NW 1/4 SECTION 13 AND 15 FEET SOUTH AND 1320 FEET EAST FROM THE NW CORNER.



115.0 ACRES WATER RIGHTS FROM C #65757 (G-6772) TRANSFERRED, AS SHOWN.

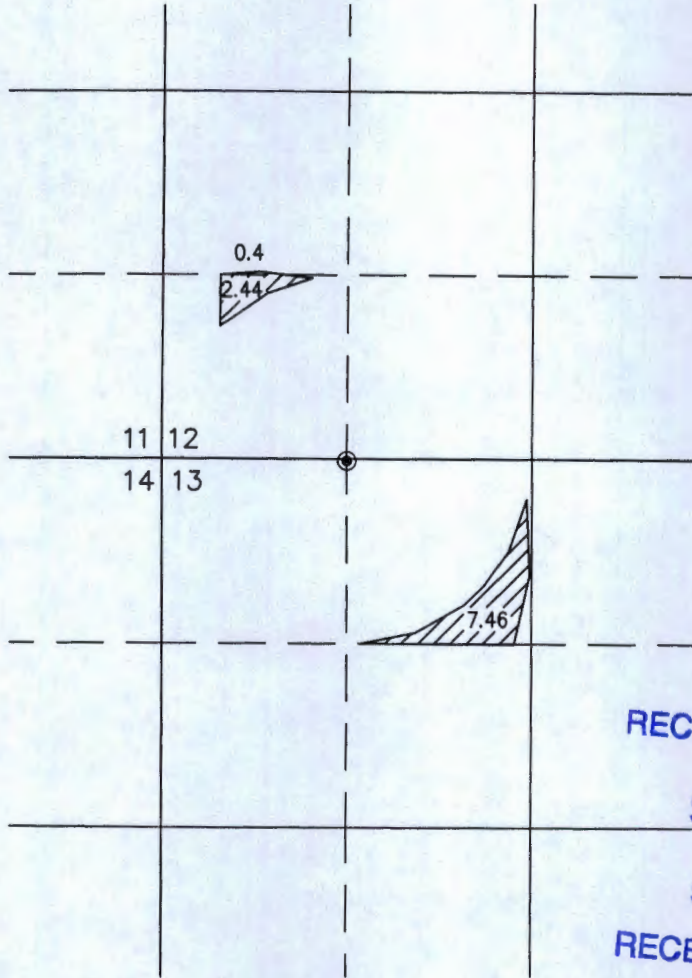
THIS MAP IS FOR THE PURPOSE OF LOCATING A WATER RIGHT ONLY AND HAS NO INTENT TO PROVIDE LEGAL DIMENSIONS OR THE LOCATION OF PROPERTY LINES.

PROJECT No. 15-074

PREPARED AT THE REQUEST OF:  
 JRS PROPERTIES III  
 P.O. BOX 27  
 BOISE, ID 83707

**MAP TO ACCOMPANY APPLICATION  
TO CHANGE PLACE OF USE  
AND POINT OF APPROPRIATION  
FOR  
JRS PROPERTIES III**

"FROM" TAX LOT 500 IN  
SECTIONS 12 & 13, TOWNSHIP 28 SOUTH, RANGE 15 EAST, W.M.  
LAKE COUNTY, OREGON



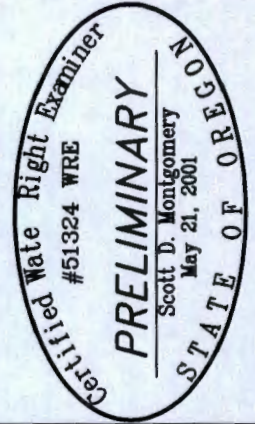
LAKE 4283 T-6501

● ZX WELL #19 LOCATED IN THE NW 1/4 NW 1/4 SECTION 13 AND 2627 FEET  
NORTH AND 3961 FEET WEST FROM THE E 1/4 CORNER.



10.3 ACRES WATER RIGHTS FROM C #76036  
(G-6772) TRANSFERRED, AS SHOWN.

THIS MAP IS FOR THE PURPOSE OF LOCATING A WATER  
RIGHT ONLY AND HAS NO INTENT TO PROVIDE LEGAL  
DIMENSIONS OR THE LOCATION OF PROPERTY LINES.



RENEWAL DATE: 12/31/2016

**ALL POINTS ENGINEERING  
& SURVEYING, INC.**

P.O. BOX 767  
TERREBONNE, OREGON 97760  
(541) 548-5833 PH  
Scott@APEandS.com  
www.APEandS.com



RECEIVED BY OWRD  
SEP 28 2015  
SALEM, OR  
RECEIVED BY OWRD  
SEP 08 2015  
SALEM, OR

PROJECT No. 15-074

PREPARED AT THE REQUEST OF:  
JRS PROPERTIES III  
P.O. BOX 27  
BOISE, ID 83707



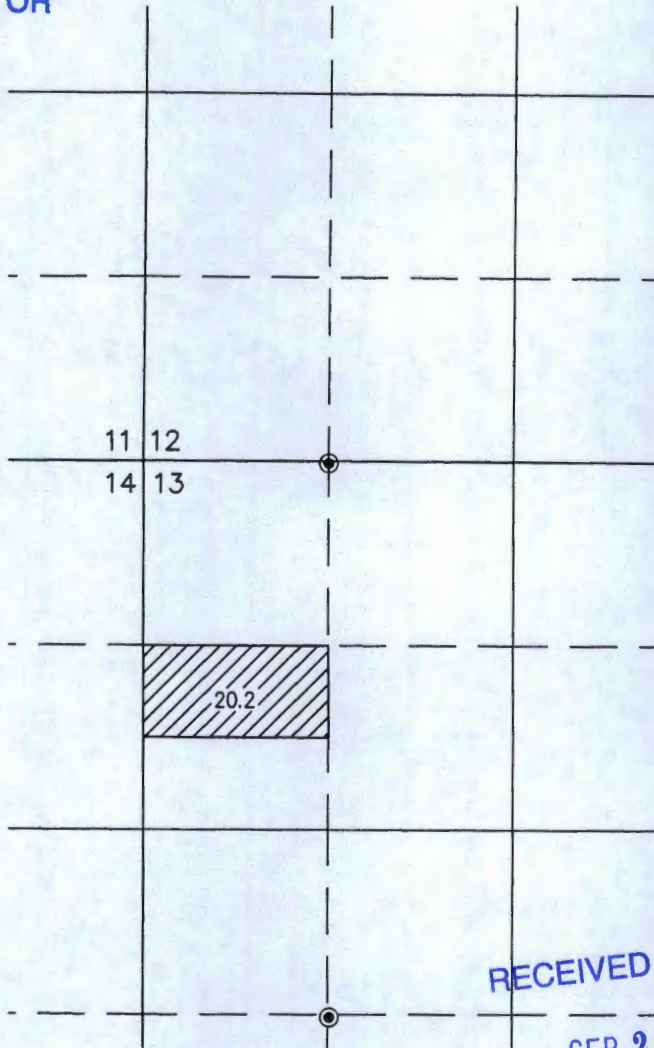
MAP TO ACCOMPANY APPLICATION  
TO CHANGE PLACE OF USE  
AND POINT OF APPROPRIATION  
FOR

RECEIVED BY OWRD JRS PROPERTIES III

SEP 08 2015

"FROM" TAX LOT 500 IN  
SECTION 13, TOWNSHIP 28 SOUTH, RANGE 15 EAST, W.M.  
LAKE COUNTY, OREGON

SALEM, OR



SCALE 4" = 1 MILE

RECEIVED BY OWRD

SEP 28 2015

SALEM, OR

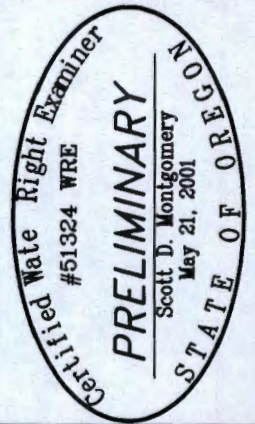
LAKE 4283 T-6502

● ZX WELL #19 LOCATED IN THE NW 1/4 NW 1/4 SECTION 13 AND 2627 FEET  
NORTH AND 3961 FEET WEST FROM THE E 1/4 CORNER.



20.2 ACRES WATER RIGHTS FROM C #76037  
(G-8988) TRANSFERRED, AS SHOWN.

THIS MAP IS FOR THE PURPOSE OF LOCATING A WATER  
RIGHT ONLY AND HAS NO INTENT TO PROVIDE LEGAL  
DIMENSIONS OR THE LOCATION OF PROPERTY LINES.



RENEWAL DATE: 12/31/2016

ALL POINTS ENGINEERING  
& SURVEYING, INC.

P.O. BOX 767  
TERREBONNE, OREGON 97760  
(541) 548-5833 PH  
Scott@APEandS.com  
www.APEandS.com

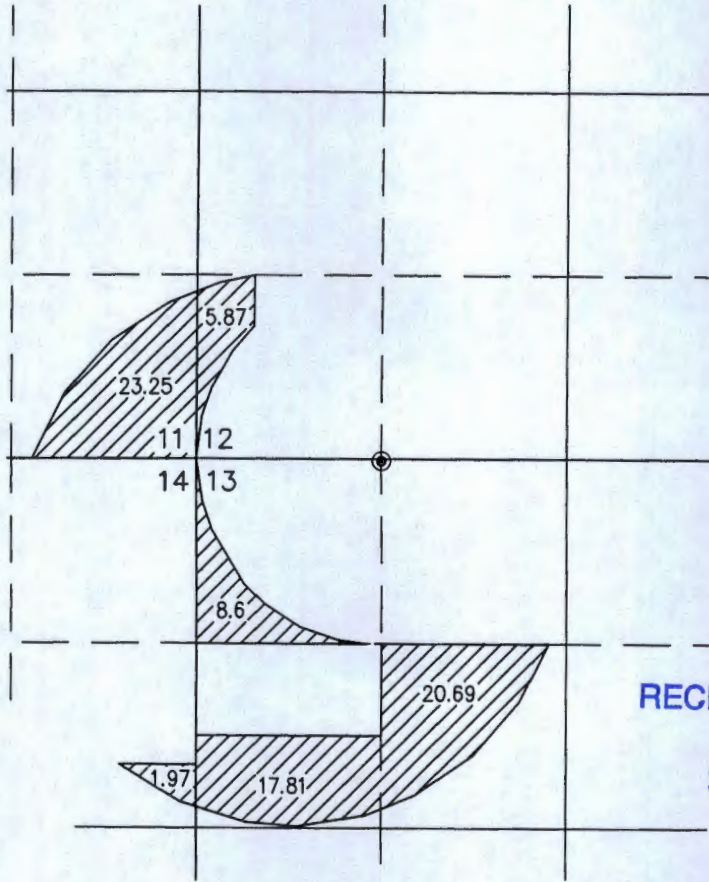


PROJECT No. 15-074

PREPARED AT THE REQUEST OF:  
JRS PROPERTIES III  
P.O. BOX 27  
BOISE, ID 83707

# MAP TO ACCOMPANY APPLICATION TO CHANGE PLACE OF USE AND POINT OF APPROPRIATION FOR JRS PROPERTIES III

"FROM" TAX LOT 500 IN  
SECTIONS 11, 12, 13, & 14, TOWNSHIP 28 SOUTH, RANGE 15 EAST, W.M.  
LAKE COUNTY, OREGON



SCALE 4" = 1 MILE

RECEIVED BY OWRD

SEP 28 2015

SALEM, OR

RECEIVED BY OWRD

SEP 08 2015

SALEM, OR

LAKE 4283 T-6505

● ZX WELL #19 LOCATED IN THE NW 1/4 NW 1/4 SECTION 13 AND 2627 FEET  
NORTH AND 3961 FEET WEST FROM THE E 1/4 CORNER.



78.19 ACRES WATER RIGHTS FROM C #76042  
(G-6051) TRANSFERRED, AS SHOWN.

THIS MAP IS FOR THE PURPOSE OF LOCATING A WATER  
RIGHT ONLY AND HAS NO INTENT TO PROVIDE LEGAL  
DIMENSIONS OR THE LOCATION OF PROPERTY LINES.

Certified Water Right Examiner  
#51324 WRE

**PRELIMINARY**  
Scott D. Montgomery  
May 21, 2001

STATE OF OREGON

RENEWAL DATE: 12/31/2016

**ALL POINTS ENGINEERING  
& SURVEYING, INC.**

P.O. BOX 767  
TERREBONNE, OREGON 97760  
(541) 548-5833 PH  
Scott@APEandS.com  
www.APEandS.com

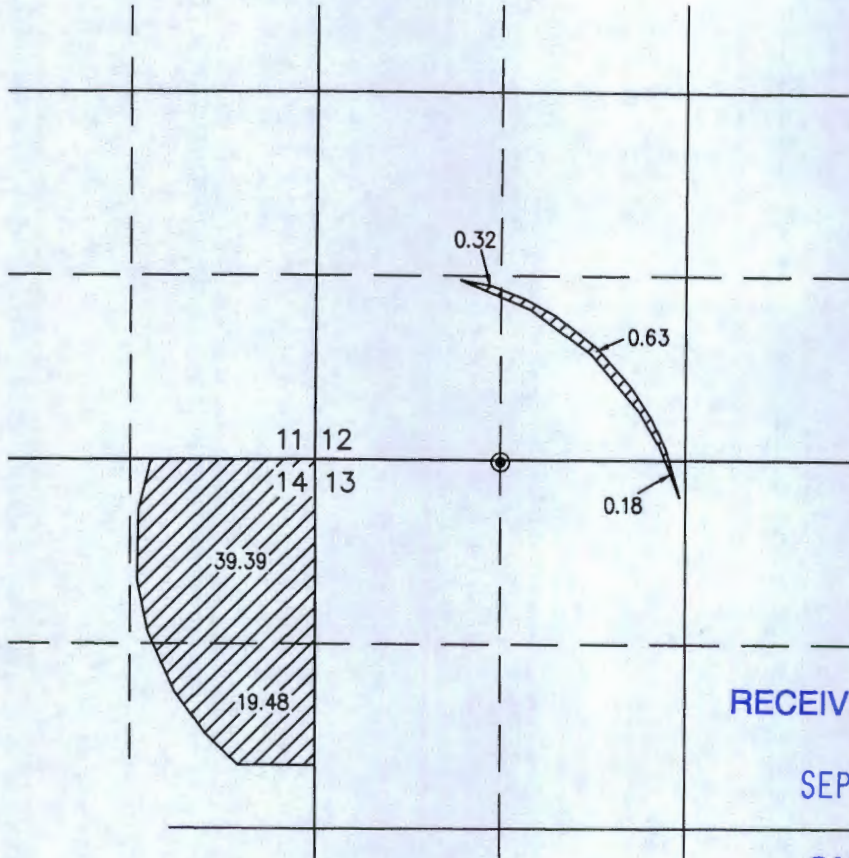
PROJECT No. 15-074

PREPARED AT THE REQUEST OF:

JRS PROPERTIES III  
P.O. BOX 27  
BOISE, ID 83707

# MAP TO ACCOMPANY APPLICATION TO CHANGE PLACE OF USE AND POINT OF APPROPRIATION FOR JRS PROPERTIES III

"FROM" TAX LOT 500 IN  
SECTIONS 12, 13, & 14, TOWNSHIP 28 SOUTH, RANGE 15 EAST, W.M.  
LAKE COUNTY, OREGON



RECEIVED BY OWRD

SEP 28 2015

SALEM, OR

RECEIVED BY OWRD

SEP 08 2015

SALEM, OR

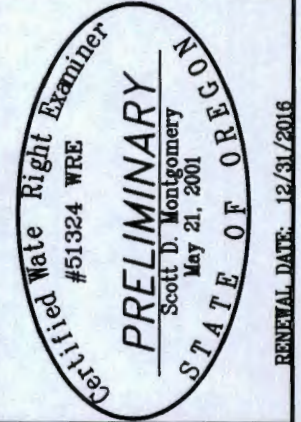
LAKE 4283 T-6502

● ZX WELL #19 LOCATED IN THE NW 1/4 NW 1/4 SECTION 13 AND 2627 FEET NORTH AND 3961 FEET WEST FROM THE E 1/4 CORNER.



60.0 ACRES WATER RIGHTS FROM C #76043 (G-411) TRANSFERRED, AS SHOWN.

THIS MAP IS FOR THE PURPOSE OF LOCATING A WATER RIGHT ONLY AND HAS NO INTENT TO PROVIDE LEGAL DIMENSIONS OR THE LOCATION OF PROPERTY LINES.



**ALL POINTS ENGINEERING  
& SURVEYING, INC.**

P.O. BOX 767  
TERREBONNE, OREGON 97760  
(541) 548-5833 PH  
Scott@APEandS.com  
www.APEandS.com

PROJECT No. 15-074

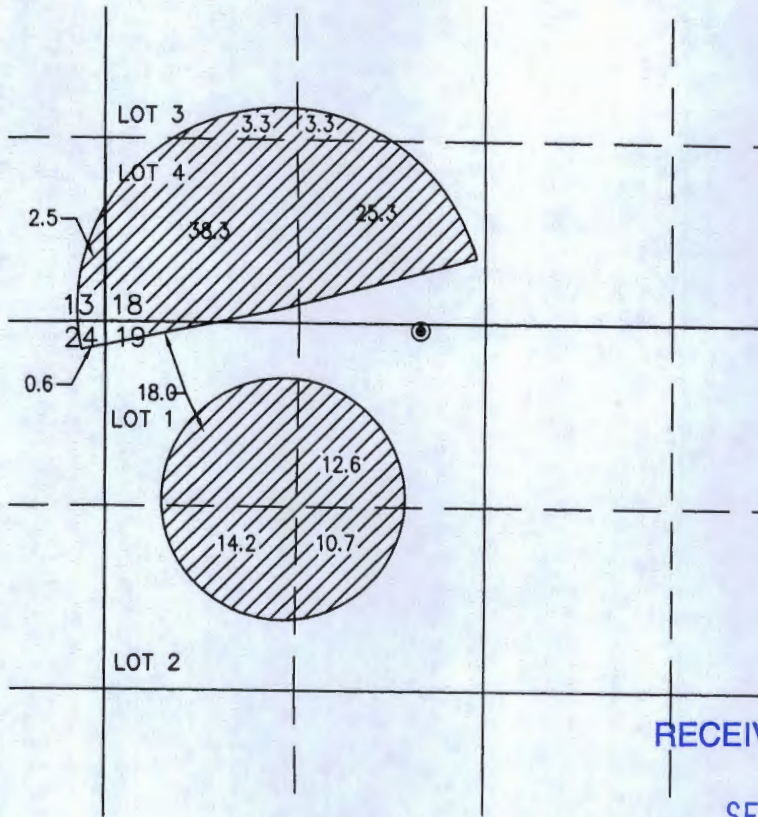
PREPARED AT THE REQUEST OF:

JRS PROPERTIES III  
P.O. BOX 27  
BOISE, ID 83707

1 32171

**MAP TO ACCOMPANY APPLICATION  
TO CHANGE PLACE OF USE  
AND POINT OF APPROPRIATION  
FOR  
JRS PROPERTIES III**

"TO" TAX LOT 500 IN  
SECTIONS 13 & 24, TOWNSHIP 28 SOUTH, RANGE 15 EAST, W.M AND  
TAX LOT 1700 IN  
SECTIONS 18 & 19, TOWNSHIP 28 SOUTH, RANGE 16 EAST, W.M.  
LAKE COUNTY, OREGON



Certified Water Right Examiner  
#51324 WRE  
**PRELIMINARY**  
Scott D. Montgomery  
May 21, 2001  
STATE OF OREGON  
RENEWAL DATE: 12/31/2016

**ALL POINTS ENGINEERING  
& SURVEYING, INC.**

P.O. BOX 767  
TERREBONNE, OREGON 97760  
(541) 548-5833 PH  
Scott@APEandS.com  
www.APEandS.com

RECEIVED BY OWRD

SEP 28 2015

SALEM, OR

LAKE 1405 PERMIT U-597

⊙ VAUGHN WELL #1 LOCATED IN THE NE 1/4 NW 1/4 SECTION 19 AND 1270 FEET NORTH AND 470 FEET WEST FROM THE CN 1/16 CORNER.



128.8 ACRES WATER RIGHTS FROM C #27013 (U-597) TRANSFERRED, AS SHOWN.

THIS MAP IS FOR THE PURPOSE OF LOCATING A WATER RIGHT ONLY AND HAS NO INTENT TO PROVIDE LEGAL DIMENSIONS OR THE LOCATION OF PROPERTY LINES.

RECEIVED BY OWRD

SEP 08 2015

SALEM, OR

PROJECT No. 15-074

PREPARED AT THE REQUEST OF:

JRS PROPERTIES III  
P.O. BOX 27  
BOISE, ID 83707

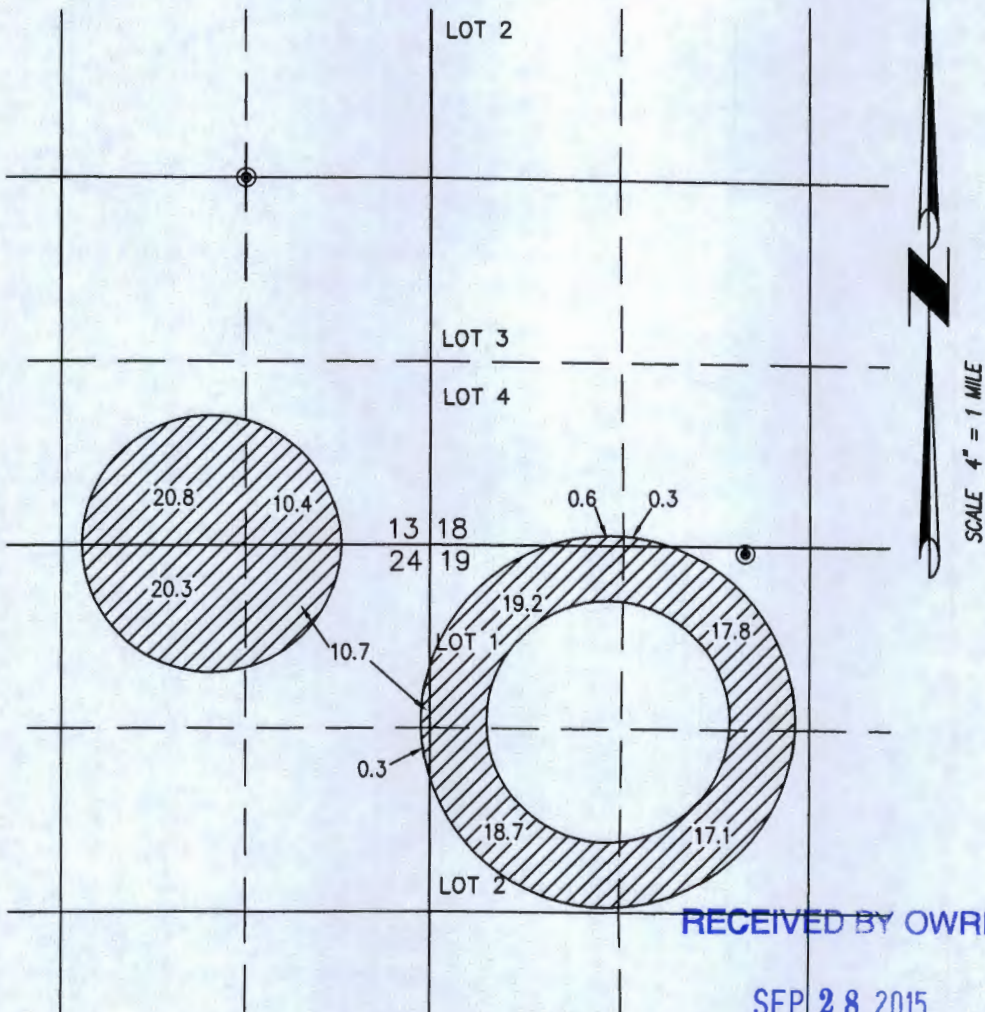
**MAP TO ACCOMPANY APPLICATION  
TO CHANGE PLACE OF USE  
AND POINT OF APPROPRIATION  
FOR  
JRS PROPERTIES III**

RECEIVED BY OWRD

SEP 08 2015

SALEM, OR

"TO" TAX LOT 500 IN  
SECTIONS 13 & 24, TOWNSHIP 28 SOUTH, RANGE 15 EAST, W.M. AND  
TAX LOT 1700 IN  
SECTIONS 18 & 19, TOWNSHIP 28 SOUTH, RANGE 16 EAST, W.M  
LAKE COUNTY, OREGON



RECEIVED BY OWRD

SEP 28 2015

LAKE 1405 PERMIT G-5755

● VAUGHN WELL #1 LOCATED IN THE NE 1/4 NW 1/4 SECTION 19 AND 50 FEET SOUTH AND 2150 FEET EAST FROM THE NW CORNER.

LAKE 1333 PERMIT G-6552

● VAUGHN VALLEY WELL #1 LOCATED IN THE NW 1/4 SE 1/4 SECTION 13 AND 26400 FEET NORTH AND 1320 FEET WEST FROM THE SE CORNER.



136.2 ACRES WATER RIGHTS FROM C #48889 (G-5755) TRANSFERRED, AS SHOWN.

THIS MAP IS FOR THE PURPOSE OF LOCATING A WATER RIGHT ONLY AND HAS NO INTENT TO PROVIDE LEGAL DIMENSIONS OR THE LOCATION OF PROPERTY LINES.

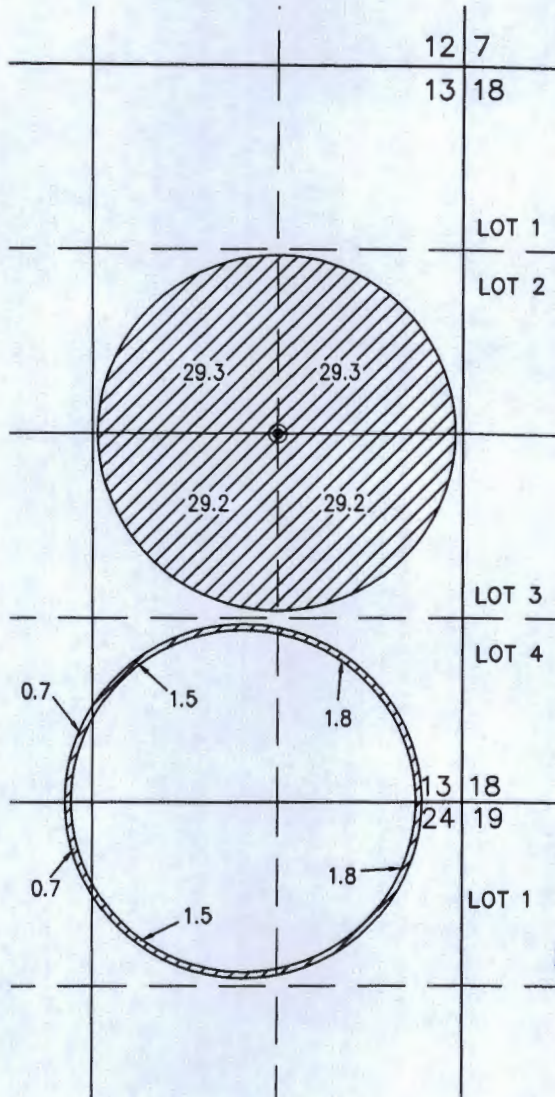
Certified Water Right Examiner  
#51324 WRE  
**PRELIMINARY**  
Scott D. Montgomery  
May 21, 2001  
STATE OF OREGON  
RENEWAL DATE: 12/31/2016

**ALL POINTS ENGINEERING & SURVEYING, INC.**  
P.O. BOX 767  
TERREBONNE, OREGON 97760  
(541) 548-5833 PH  
Scott@APEandS.com  
www.APEandS.com

PROJECT No. 15-074  
PREPARED AT THE REQUEST OF:  
JRS PROPERTIES III  
P.O. BOX 27  
BOISE, ID 83707

**MAP TO ACCOMPANY APPLICATION  
TO CHANGE PLACE OF USE  
AND POINT OF APPROPRIATION  
FOR  
JRS PROPERTIES III**

"TO" TAX LOT 500 IN  
SECTION 13 & 24, TOWNSHIP 28 SOUTH, RANGE 15 EAST, W.M.  
LAKE COUNTY, OREGON



RECEIVED BY OWRD

SEP 28 2015

SALEM, OR

RECEIVED BY OWRD

SEP 08 2015

SALEM, OR

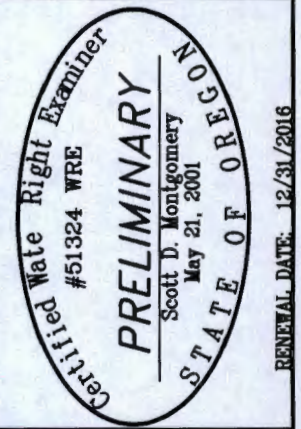
LAKE 1333 PERMIT G-6552

⊙ VAUGHN VALLEY WELL #1 LOCATED IN THE NW 1/4 SE 1/4 SECTION 13 AND  
2640 FEET NORTH AND 1320 FEET WEST FROM THE SE CORNER.



125.0 ACRES WATER RIGHTS FROM C #48890  
(G-6552) TRANSFERRED, AS SHOWN.

THIS MAP IS FOR THE PURPOSE OF LOCATING A WATER  
RIGHT ONLY AND HAS NO INTENT TO PROVIDE LEGAL  
DIMENSIONS OR THE LOCATION OF PROPERTY LINES.



**ALL POINTS ENGINEERING  
& SURVEYING, INC.**

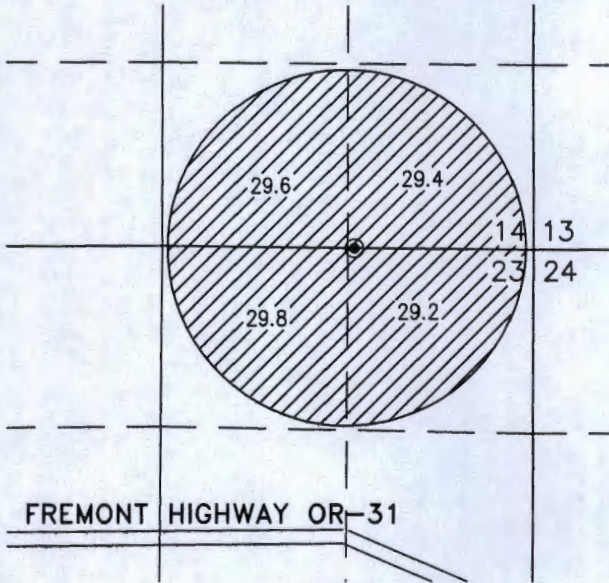
P.O. BOX 767  
TERREBONNE, OREGON 97760  
(541) 548-5833 PH  
Scott@APEandS.com  
www.APEandS.com

PROJECT No. 15-074

PREPARED AT THE REQUEST OF:  
JRS PROPERTIES III  
P.O. BOX 27  
BOISE, ID 83707

# MAP TO ACCOMPANY APPLICATION TO CHANGE PLACE OF USE AND POINT OF APPROPRIATION FOR JRS PROPERTIES III

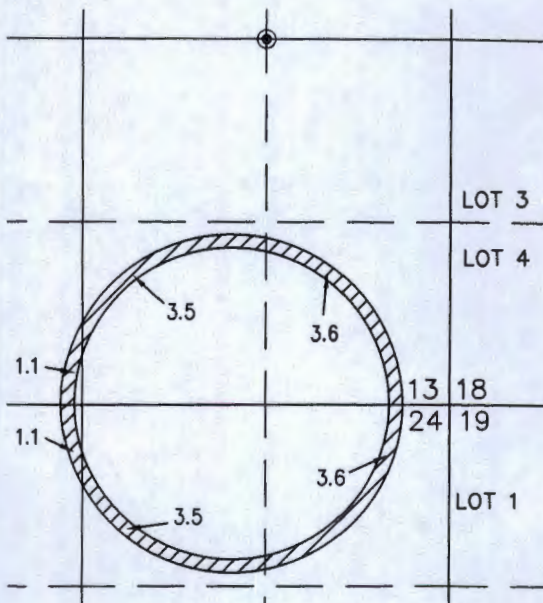
"70" TAX LOT 500 IN  
SECTIONS 13, 14, 23 & 24, TOWNSHIP 28 SOUTH, RANGE 15 EAST, W.M.  
LAKE COUNTY, OREGON



LAKE 1336 PERMIT G-8123  
 ● B FIELD WELL LOCATED IN THE SE 1/4 SW 1/4 SECTION 14 AND 10 FEET NORTH AND 1280 FEET WEST FROM THE SE CORNER.



134.4 ACRES WATER RIGHTS FROM C #50758 (G-8123) TRANSFERRED, AS SHOWN.



LAKE 1333 PERMIT G-6552  
 ● VAUGHN VALLEY WELL #1 LOCATED IN THE NW 1/4 SE 1/4 SECTION 13 AND 2640 FEET NORTH AND 1320 FEET WEST FROM THE SE CORNER.

THIS MAP IS FOR THE PURPOSE OF LOCATING A WATER RIGHT ONLY AND HAS NO INTENT TO PROVIDE LEGAL DIMENSIONS OR THE LOCATION OF PROPERTY LINES.

Certified Water Right Examiner  
 #51324 WRE  
**PRELIMINARY**  
 Scott D. Montgomery  
 May 21, 2001  
 STATE OF OREGON  
 RENEWAL DATE: 12/31/2016

**ALL POINTS ENGINEERING  
& SURVEYING, INC.**

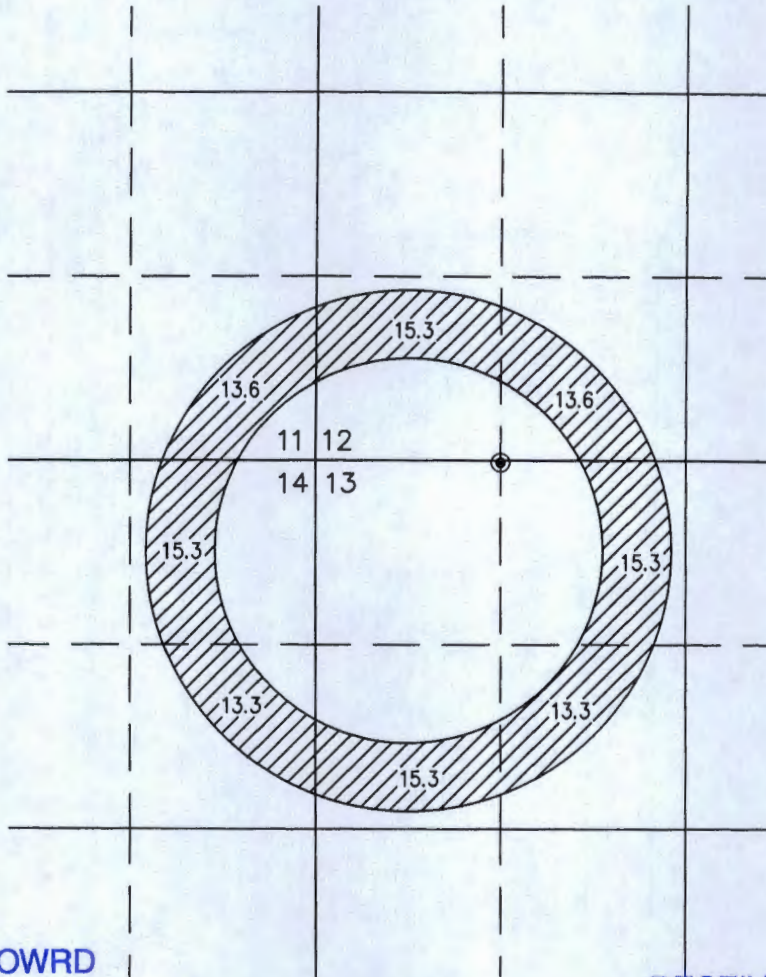
P.O. BOX 767  
 TERREBONNE, OREGON 97760  
 (541) 548-5833 PH  
 Scott@APEandS.com  
 www.APEandS.com

RECEIVED BY OWRD  
 SEP 28 2015  
 SALEM, OR  
 RECEIVED BY OWRD  
 SEP 08 2015  
 SALEM, OR

PROJECT No. 15-074  
 PREPARED AT THE REQUEST OF:  
 JRS PROPERTIES III  
 P.O. BOX 27  
 BOISE, ID 83707

MAP TO ACCOMPANY APPLICATION  
TO CHANGE PLACE OF USE  
AND POINT OF APPROPRIATION  
FOR  
JRS PROPERTIES III

"T0" TAX LOT 500 IN  
SECTIONS 11, 12, 13 & 14, TOWNSHIP 28 SOUTH, RANGE 15 EAST, W.M.  
LAKE COUNTY, OREGON



Certified Water Right Examiner  
#51324 WRE  
**PRELIMINARY**  
Scott D. Montgomery  
May 21, 2001  
STATE OF OREGON  
RENEWAL DATE: 12/31/2016

**ALL POINTS ENGINEERING  
& SURVEYING, INC.**

P.O. BOX 767  
TERREBONNE, OREGON 97760  
(541) 548-5833 PH  
Scott@APEandS.com  
www.APEandS.com

RECEIVED BY OWRD

RECEIVED BY OWRD

SEP 08 2015

SEP 28 2015

SALEM, OR

SALEM, OR

LAKE 4283 T-6501

● ZX WELL #19 LOCATED IN THE NW 1/4 NW 1/4 SECTION 13 AND 15 FEET  
SOUTH AND 1320 FEET EAST FROM THE NW CORNER.

PROJECT No. 15-074

PREPARED AT THE REQUEST OF:

JRS PROPERTIES III  
P.O. BOX 27  
BOISE, ID 83707



115.0 ACRES WATER RIGHTS FROM C #65757  
(G-6772) TRANSFERRED, AS SHOWN.

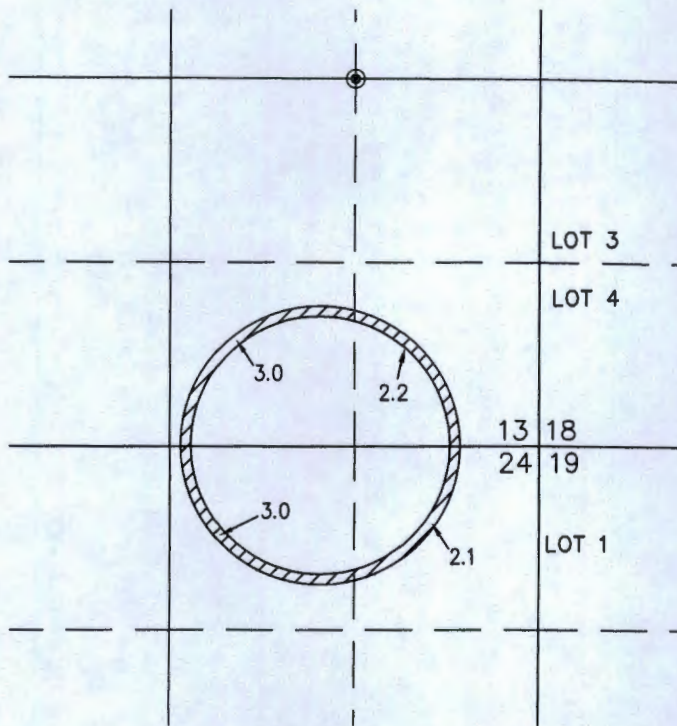
THIS MAP IS FOR THE PURPOSE OF LOCATING A WATER  
RIGHT ONLY AND HAS NO INTENT TO PROVIDE LEGAL  
DIMENSIONS OR THE LOCATION OF PROPERTY LINES.

1 12171



# MAP TO ACCOMPANY APPLICATION TO CHANGE PLACE OF USE AND POINT OF APPROPRIATION FOR JRS PROPERTIES III

"T0" TAX LOT 500 IN  
SECTIONS 13 & 24, TOWNSHIP 28 SOUTH, RANGE 15 EAST, W.M.  
LAKE COUNTY, OREGON



RECEIVED BY OWRD RECEIVED BY OWRD

SEP 08 2015

SEP 28 2015

SALEM, OR

SALEM, OR

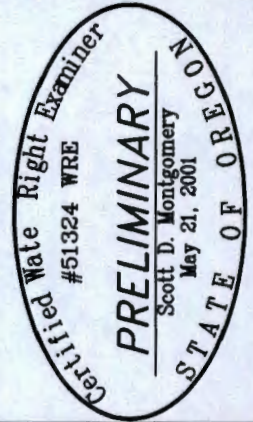
LAKE 1333 T-6552

⊙ VAUGHN VALLEY WELL #1 LOCATED IN THE NW 1/4 SE 1/4 SECTION 13 AND  
2640 FEET NORTH AND 1320 FEET WEST FROM THE SE CORNER.



10.3 ACRES WATER RIGHTS FROM C #76036  
(G-6772) TRANSFERRED, AS SHOWN.

THIS MAP IS FOR THE PURPOSE OF LOCATING A WATER  
RIGHT ONLY AND HAS NO INTENT TO PROVIDE LEGAL  
DIMENSIONS OR THE LOCATION OF PROPERTY LINES.



RENEWAL DATE: 12/31/2016

**ALL POINTS ENGINEERING  
& SURVEYING, INC.**

P.O. BOX 767  
TERREBONNE, OREGON 97760  
(541) 548-5833 PH  
Scott@APEandS.com  
www.APEandS.com



PROJECT No. 15-074

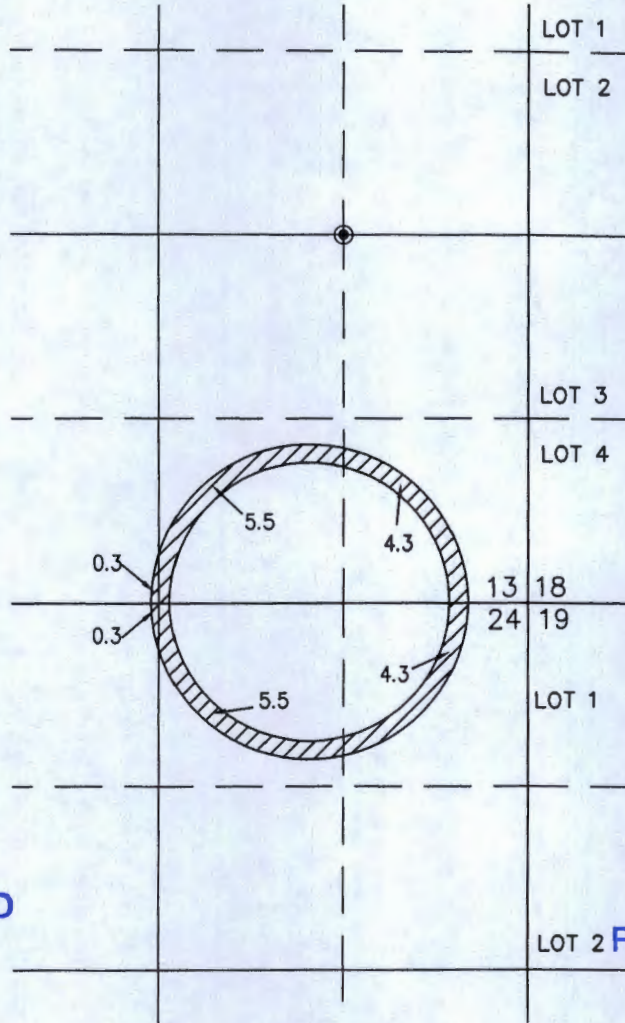
PREPARED AT THE REQUEST OF:

JRS PROPERTIES III  
P.O. BOX 27  
BOISE, ID 83707

T 12171

MAP TO ACCOMPANY APPLICATION  
TO CHANGE PLACE OF USE  
AND POINT OF APPROPRIATION  
FOR  
JRS PROPERTIES III

"70" TAX LOT 500 IN  
SECTIONS 13 & 24, TOWNSHIP 28 SOUTH, RANGE 15 EAST, W.M.  
LAKE COUNTY, OREGON



SCALE 4" = 1 MILE

Certified Water Right Examiner  
#51324 WRE  
**PRELIMINARY**  
Scott D. Montgomery  
May 21, 2001  
STATE OF OREGON  
RENEWAL DATE: 12/31/2016

**ALL POINTS ENGINEERING  
& SURVEYING, INC.**  
P.O. BOX 767  
TERREBONNE, OREGON 97760  
(541) 548-5833 PH  
Scott@APEandS.com  
www.APEandS.com

RECEIVED BY OWRD

SEP 08 2015

SALEM, OR

SEP 28 2015

SALEM, OR

LAKE 1333 T-6502  
● VAUGHN VALLEY WELL #1 LOCATED IN THE NW 1/4 SE 1/4 SECTION 13 AND  
2640 FEET NORTH AND 1320 FEET WEST FROM THE SE CORNER.



20.2 ACRES WATER RIGHTS FROM C #76037  
(G-8988) TRANSFERRED, AS SHOWN.

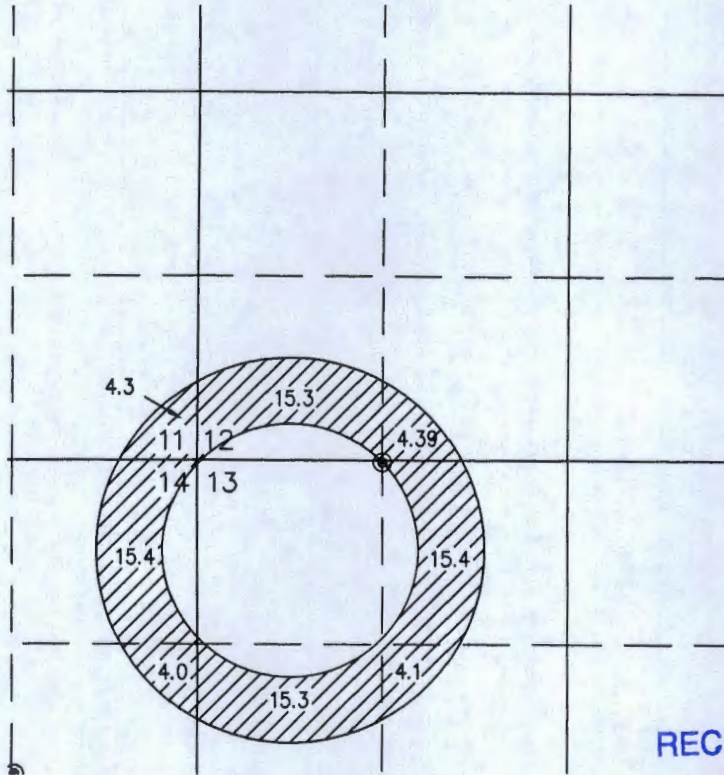
THIS MAP IS FOR THE PURPOSE OF LOCATING A WATER  
RIGHT ONLY AND HAS NO INTENT TO PROVIDE LEGAL  
DIMENSIONS OR THE LOCATION OF PROPERTY LINES.

PROJECT No. 15-074

PREPARED AT THE REQUEST OF:  
JRS PROPERTIES III  
P.O. BOX 27  
BOISE, ID 83707

MAP TO ACCOMPANY APPLICATION  
TO CHANGE PLACE OF USE  
AND POINT OF APPROPRIATION  
FOR  
JRS PROPERTIES III

"TO" TAX LOT 500 IN  
SECTIONS 11, 12, 13, & 14, TOWNSHIP 28 SOUTH, RANGE 15 EAST, W.M.  
LAKE COUNTY, OREGON



LAKE 4283T-6505

● ZX WELL #19 LOCATED IN THE NW 1/4 NW 1/4 SECTION 13 AND 2627 FEET  
NORTH AND 3961 FEET WEST FROM THE E 1/4 CORNER.



78.19 ACRES WATER RIGHTS FROM C #76042  
(G-6051) TRANSFERRED, AS SHOWN.

THIS MAP IS FOR THE PURPOSE OF LOCATING A WATER  
RIGHT ONLY AND HAS NO INTENT TO PROVIDE LEGAL  
DIMENSIONS OR THE LOCATION OF PROPERTY LINES.

RECEIVED BY OWRD

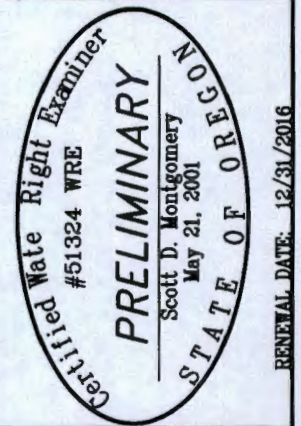
SEP 28 2015

SALEM, OR

RECEIVED BY OWRD

SEP 08 2015

SALEM, OR



ALL POINTS ENGINEERING  
& SURVEYING, INC.

P.O. BOX 767  
TERREBONNE, OREGON 97760  
(541) 548-5833 PH  
Scott@APEandS.com  
www.APEandS.com

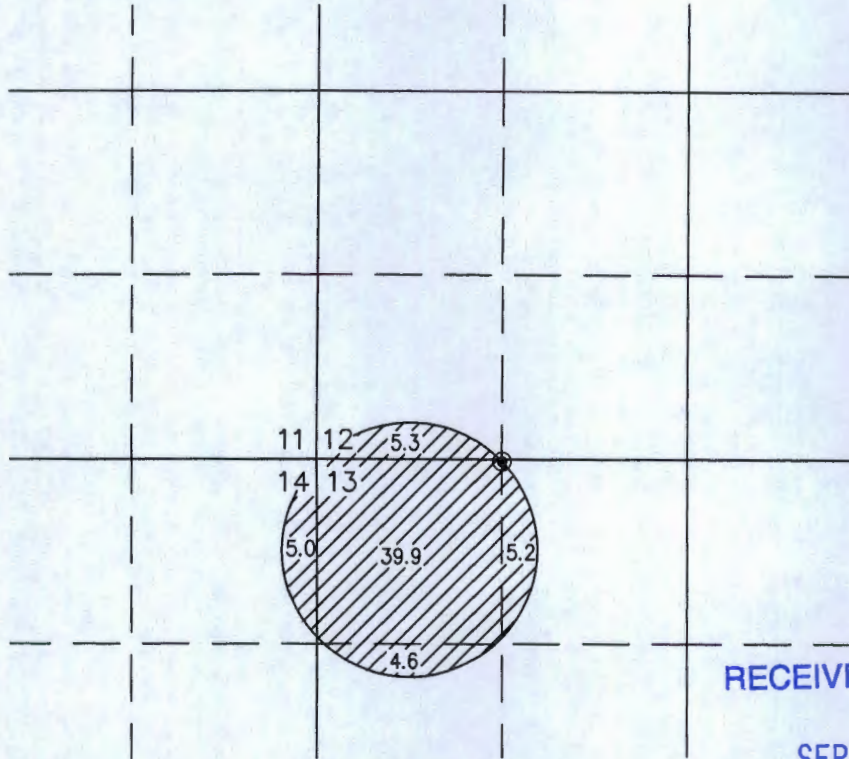
PROJECT No. 15-074

PREPARED AT THE REQUEST OF:

JRS PROPERTIES III  
P.O. BOX 27  
BOISE, ID 83707

MAP TO ACCOMPANY APPLICATION  
TO CHANGE PLACE OF USE  
AND POINT OF APPROPRIATION  
FOR  
JRS PROPERTIES III

"T0" TAX LOT 500 IN  
SECTIONS 12, 13 & 14, TOWNSHIP 28 SOUTH, RANGE 15 EAST, W.M.  
LAKE COUNTY, OREGON



SCALE 4" = 1 MILE

RECEIVED BY OWRD

SEP 28 2015

SALEM, OR

LAKE 4283T-6502

● ZX WELL #19 LOCATED IN THE NW 1/4 NW 1/4 SECTION 13 AND 2627 FEET  
NORTH AND 3961 FEET WEST FROM THE E 1/4 CORNER.

RECEIVED BY OWRD

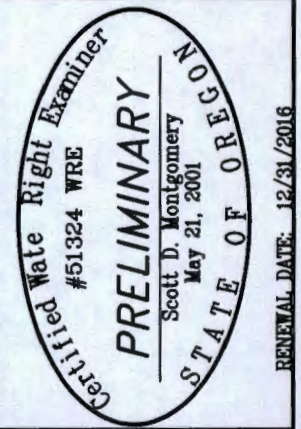
SEP 08 2015

SALEM, OR



60.0 ACRES WATER RIGHTS FROM C #76043  
(G-411) TRANSFERRED, AS SHOWN.

THIS MAP IS FOR THE PURPOSE OF LOCATING A WATER  
RIGHT ONLY AND HAS NO INTENT TO PROVIDE LEGAL  
DIMENSIONS OR THE LOCATION OF PROPERTY LINES.



ALL POINTS ENGINEERING  
& SURVEYING, INC.

P.O. BOX 767  
TERREBONNE, OREGON 97760  
(541) 548-5833 PH  
Scott@APEandS.com  
www.APEandS.com

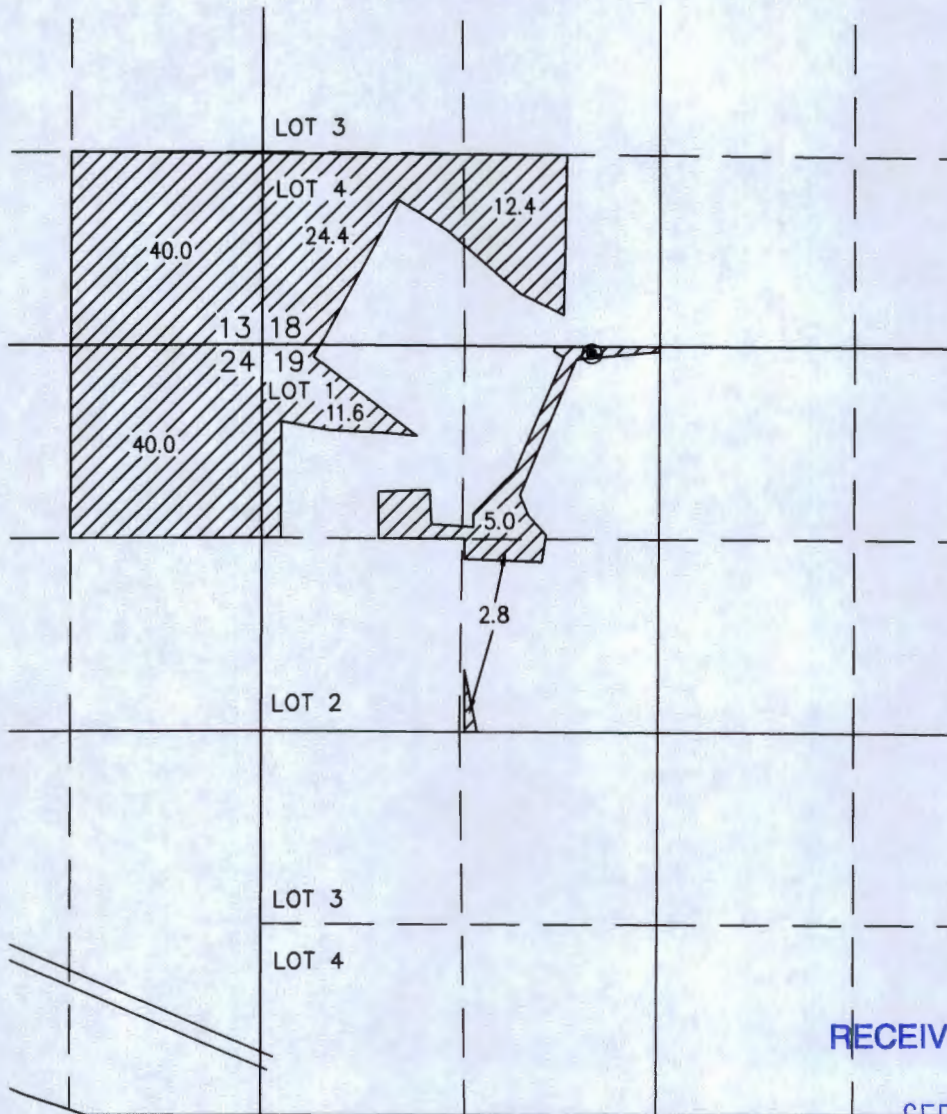
PROJECT No. 15-074

PREPARED AT THE REQUEST OF:

JRS PROPERTIES III  
P.O. BOX 27  
BOISE, ID 83707

# MAP TO ACCOMPANY APPLICATION TO CHANGE PLACE OF USE AND POINT OF APPROPRIATION FOR JRS PROPERTIES III

"FROM" TAX LOT 500 IN  
SECTIONS 13 & 24, TOWNSHIP 28 SOUTH, RANGE 15 EAST, W.M. AND  
TAX LOT 1700 IN  
SECTIONS 18 & 19, TOWNSHIP 28 SOUTH, RANGE 16 EAST, W.M.  
LAKE COUNTY, OREGON



RECEIVED BY OWFD

SEP 25 2015

SALEM, OR

LAKE 1405 PERMIT G-5755

⊙ VAUGHN WELL #1 LOCATED IN THE NE 1/4 NW 1/4 SECTION 19 AND 50 FEET SOUTH AND 2150 FEET EAST FROM THE NW CORNER.



136.2 ACRES WATER RIGHTS FROM C #48889 (G-5755) TRANSFERRED, AS SHOWN.

THIS MAP IS FOR THE PURPOSE OF LOCATING A WATER RIGHT ONLY AND HAS NO INTENT TO PROVIDE LEGAL DIMENSIONS OR THE LOCATION OF PROPERTY LINES.



RENEWAL DATE: 12/31/2016

**ALL POINTS ENGINEERING  
& SURVEYING, INC.**

P.O. BOX 767  
TERREBONNE, OREGON 97760  
(541) 548-5833 PH  
Scott@APEandS.com  
www.APEandS.com



PROJECT No. 15-074

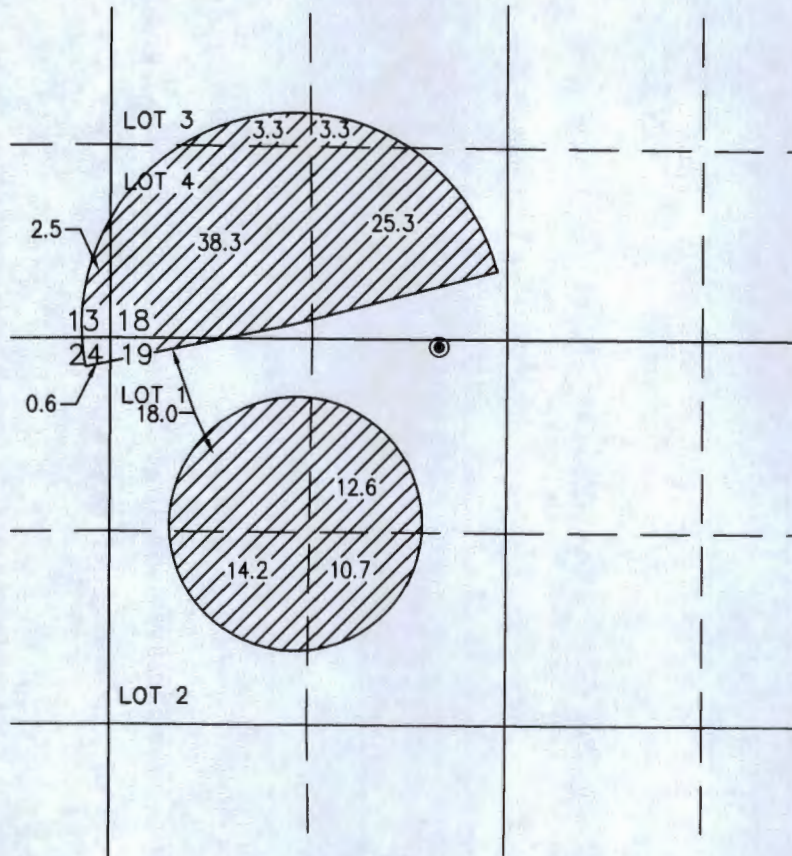
PREPARED AT THE REQUEST OF:

JRS PROPERTIES III  
P.O. BOX 27  
BOISE, ID 83707

T 12171

# MAP TO ACCOMPANY APPLICATION TO CHANGE PLACE OF USE AND POINT OF APPROPRIATION FOR JRS PROPERTIES III

"TO" TAX LOT 500 IN  
SECTIONS 13 & 24, TOWNSHIP 28 SOUTH, RANGE 15 EAST, W.M AND  
TAX LOT 1700 IN  
SECTIONS 18 & 19, TOWNSHIP 28 SOUTH, RANGE 16 EAST, W.M.  
LAKE COUNTY, OREGON



LAKE 1405 PERMIT U-597

● VAUGHN WELL #1 LOCATED IN THE NE 1/4 NW 1/4 SECTION 19 AND 1270 FEET NORTH AND 470 FEET WEST FROM THE CN 1/16 CORNER.



128.8 ACRES WATER RIGHTS FROM C #27013 (U-597) TRANSFERRED, AS SHOWN.

THIS MAP IS FOR THE PURPOSE OF LOCATING A WATER RIGHT ONLY AND HAS NO INTENT TO PROVIDE LEGAL DIMENSIONS OR THE LOCATION OF PROPERTY LINES.

RECEIVED BY OWRD

SEP 25 2015

SALEM, OR



RENEWAL DATE: 12/31/2016

**ALL POINTS ENGINEERING  
& SURVEYING, INC.**

P.O. BOX 767  
TERREBONNE, OREGON 97760  
(541) 548-5833 PH  
Scott@APEandS.com  
www.APEandS.com



PROJECT No. 15-074

PREPARED AT THE REQUEST OF:

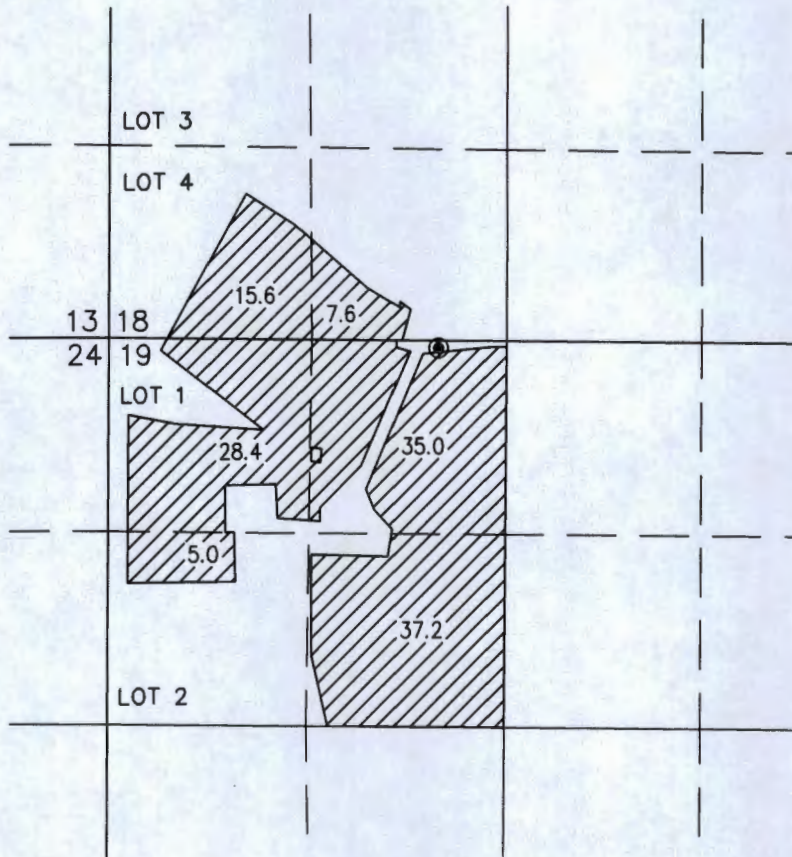
JRS PROPERTIES III

P.O. BOX 27 T 12171

BOISE, ID 83707

# MAP TO ACCOMPANY APPLICATION TO CHANGE PLACE OF USE AND POINT OF APPROPRIATION FOR JRS PROPERTIES III

"FROM" TAX LOT 1700 IN  
SECTIONS 18 & 19, TOWNSHIP 28 SOUTH, RANGE 16 EAST, W.M.  
LAKE COUNTY, OREGON



SCALE 4" = 1 MILE



RENEWAL DATE: 12/31/2016

**ALL POINTS ENGINEERING  
& SURVEYING, INC.**

P.O. BOX 767  
TERREBONNE, OREGON 97760  
(541) 548-5833 PH  
Scott@APEandS.com  
www.APEandS.com



RECEIVED BY OWRD

SEP 25 2015

SALEM, OR

LAKE 1405 PERMIT U-597

● VAUGHN WELL #1 LOCATED IN THE NE 1/4 NW 1/4 SECTION 19 AND 1270  
FEET NORTH AND 470 FEET WEST FROM THE CN 1/16 CORNER.



128.8 ACRES WATER RIGHTS FROM C #27013  
(U-597) TRANSFERRED, AS SHOWN.

THIS MAP IS FOR THE PURPOSE OF LOCATING A WATER  
RIGHT ONLY AND HAS NO INTENT TO PROVIDE LEGAL  
DIMENSIONS OR THE LOCATION OF PROPERTY LINES.

PROJECT No. 15-074

PREPARED AT THE REQUEST OF:

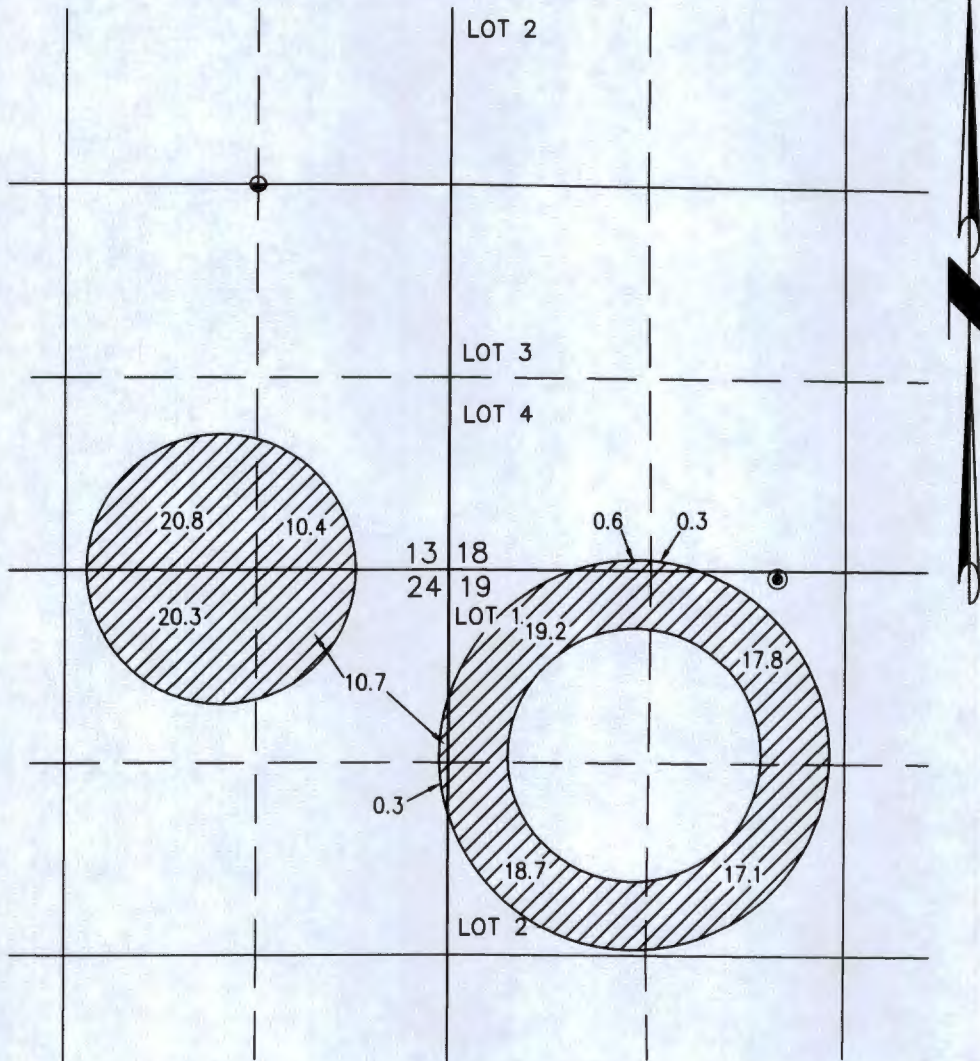
JRS PROPERTIES III

P.O. BOX 27 T 12171

BOISE, ID 83707

# MAP TO ACCOMPANY APPLICATION TO CHANGE PLACE OF USE AND POINT OF APPROPRIATION FOR JRS PROPERTIES III

"TO" TAX LOT 500 IN  
SECTIONS 13 & 24, TOWNSHIP 28 SOUTH, RANGE 15 EAST, W.M. AND  
TAX LOT 1700 IN  
SECTIONS 18 & 19, TOWNSHIP 28 SOUTH, RANGE 16 EAST, W.M  
LAKE COUNTY, OREGON



LAKE 1405 PERMIT G-5755

- VAUGHN WELL #1 LOCATED IN THE NE 1/4 NW 1/4 SECTION 19 AND 50 FEET SOUTH AND 2150 FEET EAST FROM THE NW CORNER.

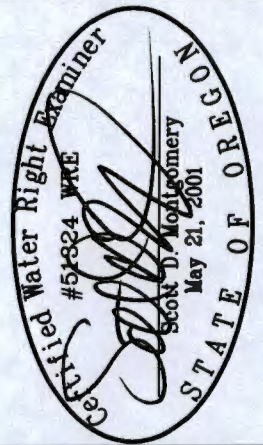
LAKE 1333 PERMIT G-6552

- VAUGHN VALLEY WELL #1 LOCATED IN THE NW 1/4 SE 1/4 SECTION 13 AND 26400 FEET NORTH AND 1320 FEET WEST FROM THE SE CORNER.



136.2 ACRES WATER RIGHTS FROM C #48889 (G-5755) TRANSFERRED, AS SHOWN.

THIS MAP IS FOR THE PURPOSE OF LOCATING A WATER RIGHT ONLY AND HAS NO INTENT TO PROVIDE LEGAL DIMENSIONS OR THE LOCATION OF PROPERTY LINES.



RENEWAL DATE: 12/31/2016

**ALL POINTS ENGINEERING  
& SURVEYING, INC.**

P.O. BOX 767  
TERREBONNE, OREGON 97760  
(541) 548-5833 PH  
Scott@APEandS.com  
www.APEandS.com

RECEIVED BY OWRD

SEP 25 2015  
SALEM, OR

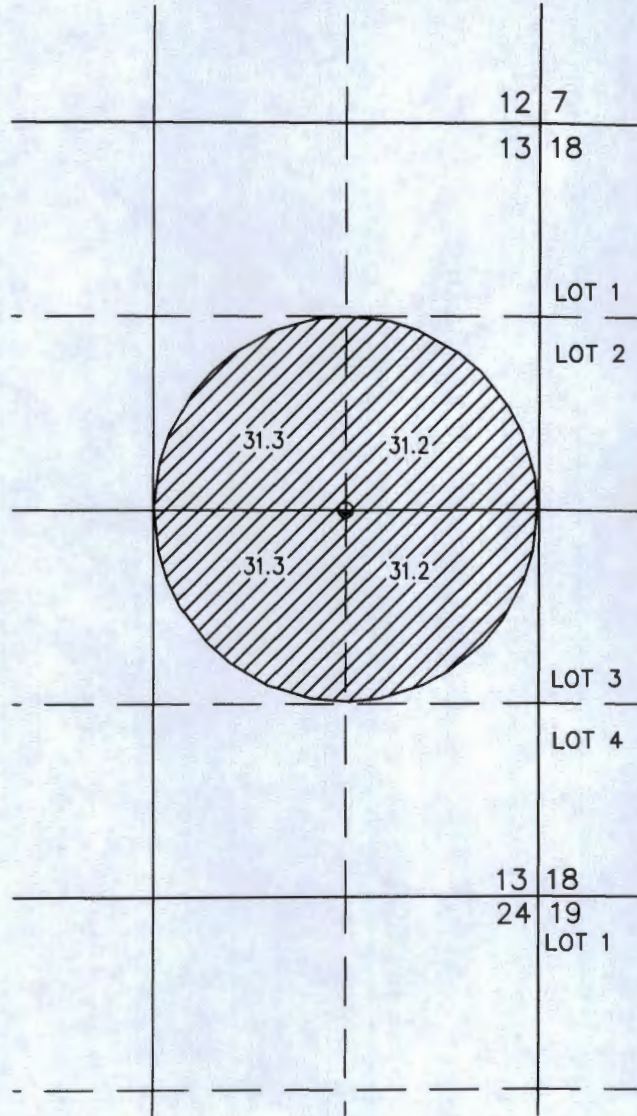
PROJECT No. 15-074

PREPARED AT THE REQUEST OF:  
JRS PROPERTIES III  
P.O. BOX 27  
BOISE, ID 83707 1217



MAP TO ACCOMPANY APPLICATION  
TO CHANGE PLACE OF USE  
AND POINT OF APPROPRIATION  
FOR  
JRS PROPERTIES III

"FROM" TAX LOT 500 IN  
SECTION 13, TOWNSHIP 28 SOUTH, RANGE 15 EAST, W.M.  
LAKE COUNTY, OREGON



SCALE 4" = 1 MILE

LAKE 1333 PERMIT G-6552

- VAUGHN VALLEY WELL #1 LOCATED IN THE NW 1/4 SE 1/4 SECTION 13 AND 2640 FEET NORTH AND 1320 FEET WEST FROM THE SE CORNER.



125.0 ACRES WATER RIGHTS FROM C #48890 (G-6552) TRANSFERRED, AS SHOWN.

THIS MAP IS FOR THE PURPOSE OF LOCATING A WATER RIGHT ONLY AND HAS NO INTENT TO PROVIDE LEGAL DIMENSIONS OR THE LOCATION OF PROPERTY LINES.



RENEWAL DATE: 12/31/2016

ALL POINTS ENGINEERING  
& SURVEYING, INC.

P.O. BOX 767  
TERREBONNE, OREGON 97760  
(541) 548-5833 PH  
Scott@APEandS.com  
www.APEandS.com



RECEIVED BY OWRD

SEP 25 2015

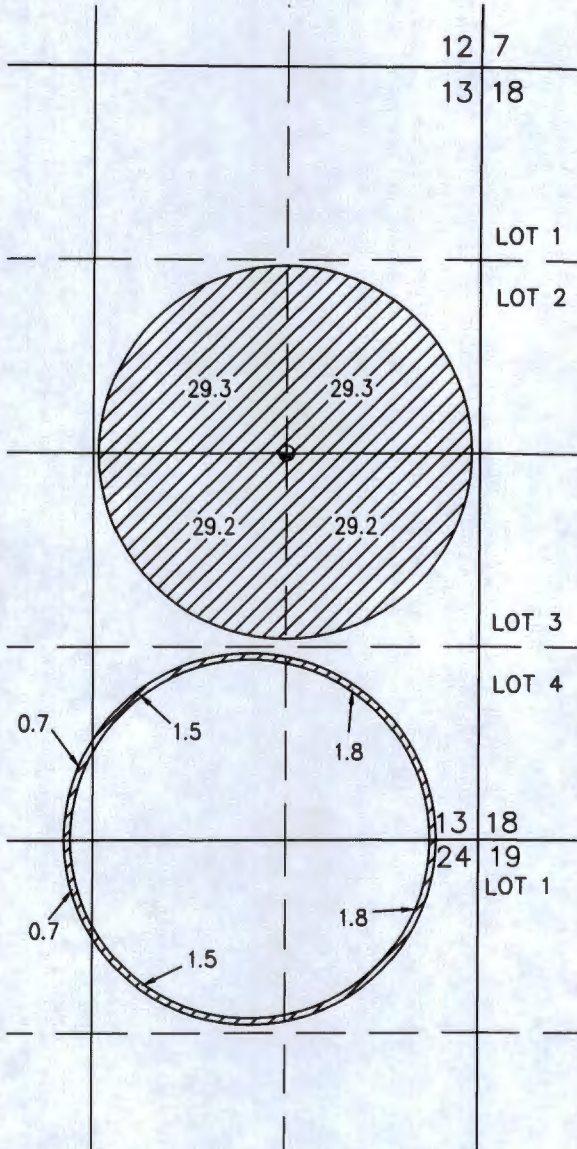
SELEM, OR

PROJECT No. 15-074

PREPARED AT THE REQUEST OF:  
JRS PROPERTIES III  
P.O. BOX 27  
BOISE, ID 83707 | 12171

# MAP TO ACCOMPANY APPLICATION TO CHANGE PLACE OF USE AND POINT OF APPROPRIATION FOR JRS PROPERTIES III

"TO" TAX LOT 500 IN  
SECTION 13 & 24, TOWNSHIP 28 SOUTH, RANGE 15 EAST, W.M.  
LAKE COUNTY, OREGON



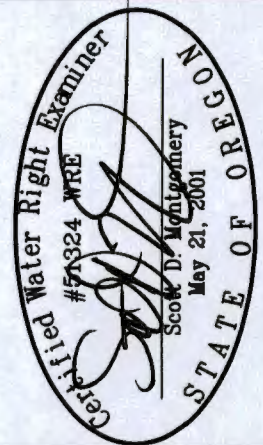
LAKE 1333 PERMIT G-6552

- VAUGHN VALLEY WELL #1 LOCATED IN THE NW 1/4 SE 1/4 SECTION 13 AND 2640 FEET NORTH AND 1320 FEET WEST FROM THE SE CORNER.



125.0 ACRES WATER RIGHTS FROM C #48890 (G-6552) TRANSFERRED, AS SHOWN.

THIS MAP IS FOR THE PURPOSE OF LOCATING A WATER RIGHT ONLY AND HAS NO INTENT TO PROVIDE LEGAL DIMENSIONS OR THE LOCATION OF PROPERTY LINES.



RENEWAL DATE: 12/31/2016

**ALL POINTS ENGINEERING  
& SURVEYING, INC.**

P.O. BOX 767  
TERREBONNE, OREGON 97760  
(541) 548-5833 PH  
Scott@APEandS.com  
www.APEandS.com



RECEIVED BY OWRD

SEP 25 2015

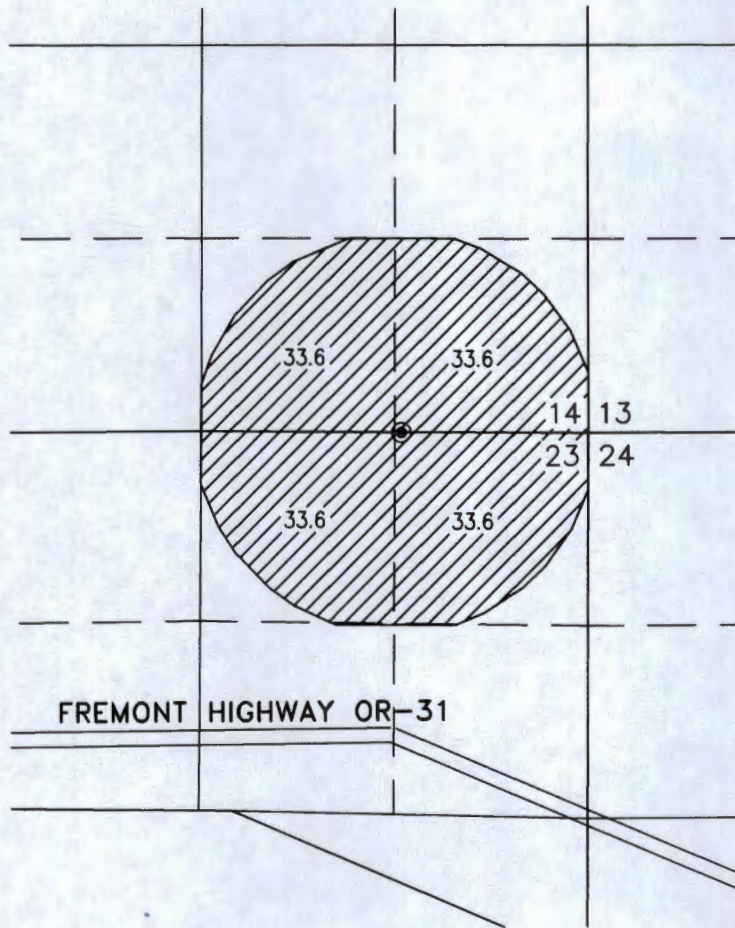
SALEM, OR

PROJECT No. 15-074

PREPARED AT THE REQUEST OF  
JRS PROPERTIES III  
P.O. BOX 27  
BOISE, ID 83707 T 12171

MAP TO ACCOMPANY APPLICATION  
TO CHANGE PLACE OF USE  
AND POINT OF APPROPRIATION  
FOR  
JRS PROPERTIES III

"FROM" TAX LOT 500 IN  
SECTIONS 14 & 23, TOWNSHIP 28 SOUTH, RANGE 15 EAST, W.M.  
LAKE COUNTY, OREGON



SCALE 4" = 1 MILE

LAKE 1336 PERMIT G-8123

● B FIELD WELL LOCATED IN THE SE 1/4 SW 1/4 SECTION 14 AND 10 FEET NORTH AND 1280 FEET WEST FROM THE SE CORNER.



134.4 ACRES WATER RIGHTS FROM C #50758 (G-8123) TRANSFERRED, AS SHOWN.

THIS MAP IS FOR THE PURPOSE OF LOCATING A WATER RIGHT ONLY AND HAS NO INTENT TO PROVIDE LEGAL DIMENSIONS OR THE LOCATION OF PROPERTY LINES.



RENEWAL DATE: 12/31/2016

ALL POINTS ENGINEERING  
& SURVEYING, INC.

P.O. BOX 767  
TERREBONNE, OREGON 97760  
(541) 548-5833 PH  
Scott@APEandS.com  
www.APEandS.com



RECEIVED BY OWRD

SEP 25 2015

SALEM, OR

PROJECT No. 15-074

PREPARED AT THE REQUEST OF

JRS PROPERTIES III

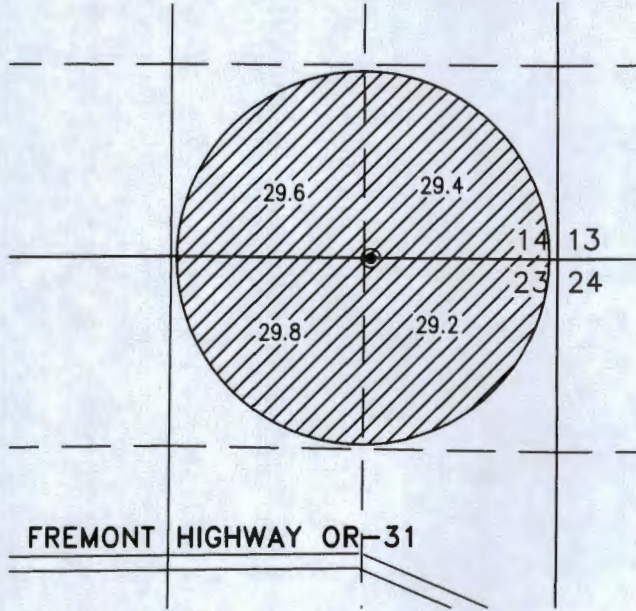
P.O. BOX 27

BOISE, ID 83707

12171

# MAP TO ACCOMPANY APPLICATION TO CHANGE PLACE OF USE AND POINT OF APPROPRIATION FOR JRS PROPERTIES III

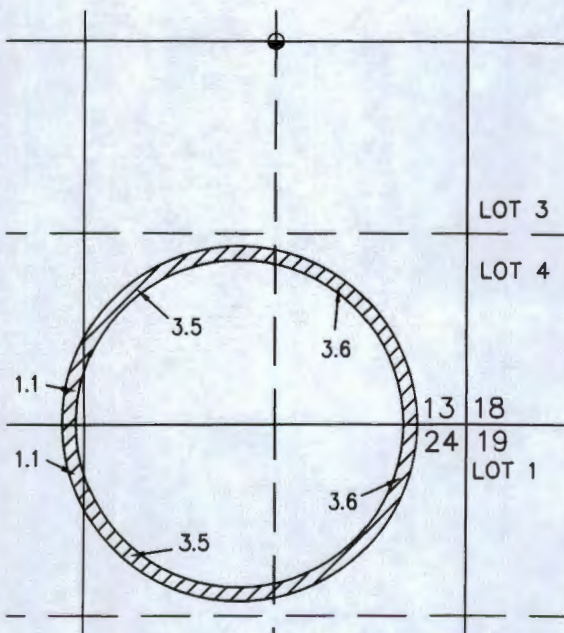
"TO" TAX LOT 500 IN  
SECTIONS 13, 14, 23 & 24, TOWNSHIP 28 SOUTH, RANGE 15 EAST, W.M.  
LAKE COUNTY, OREGON



LAKE 1336 PERMIT G-8123  
● B FIELD WELL LOCATED IN THE SE 1/4 SW 1/4  
SECTION 14 AND 10 FEET NORTH AND 1280  
FEET WEST FROM THE SE CORNER.

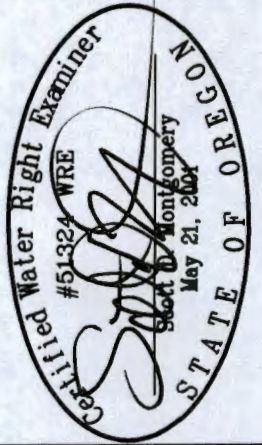


134.4 ACRES WATER RIGHTS FROM C #50758  
(G-8123) TRANSFERRED, AS SHOWN.



LAKE 1333 PERMIT G-6552  
● VAUGHN VALLEY WELL #1 LOCATED IN THE NW 1/4 SE  
1/4 SECTION 13 AND 2640 FEET NORTH AND 1320  
FEET WEST FROM THE SE CORNER.

THIS MAP IS FOR THE PURPOSE OF LOCATING A WATER  
RIGHT ONLY AND HAS NO INTENT TO PROVIDE LEGAL  
DIMENSIONS OR THE LOCATION OF PROPERTY LINES.



RENEWAL DATE: 12/31/2016

**ALL POINTS ENGINEERING  
& SURVEYING, INC.**

P.O. BOX 767  
TERREBONNE, OREGON 97760  
(541) 548-5833 PH  
Scott@APEandS.com  
www.APEandS.com



RECEIVED BY OWRD

SEP 25 2015

SALEM, OR

PROJECT No. 15-074

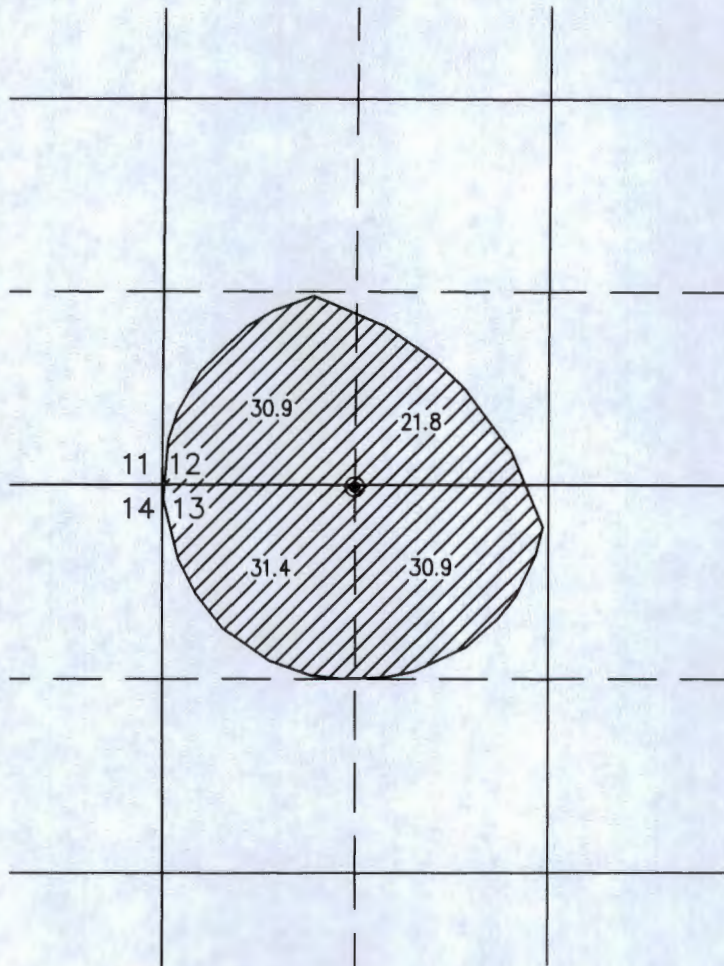
PREPARED AT THE REQUEST OF  
JRS PROPERTIES III

P.O. BOX 27  
BOISE, ID 83707

1217

MAP TO ACCOMPANY APPLICATION  
TO CHANGE PLACE OF USE  
AND POINT OF APPROPRIATION  
FOR  
JRS PROPERTIES III

"FROM" TAX LOT 500 IN  
SECTIONS 12 & 13, TOWNSHIP 28 SOUTH, RANGE 15 EAST, W.M.  
LAKE COUNTY, OREGON



LAKE 4283 T-6501

● ZX WELL #19 LOCATED IN THE NW 1/4 NW 1/4 SECTION 13 AND 15 FEET SOUTH AND 1320 FEET EAST FROM THE NW CORNER.



115.0 ACRES WATER RIGHTS FROM C #65757 (G-6772) TRANSFERRED, AS SHOWN.

THIS MAP IS FOR THE PURPOSE OF LOCATING A WATER RIGHT ONLY AND HAS NO INTENT TO PROVIDE LEGAL DIMENSIONS OR THE LOCATION OF PROPERTY LINES.



RENEWAL DATE: 12/31/2016

**ALL POINTS ENGINEERING  
& SURVEYING, INC.**

P.O. BOX 767  
TERREBONNE, OREGON 97760  
(541) 548-5833 PH  
Scott@APEandS.com  
www.APEandS.com



RECEIVED BY OWRD

SEP 25 2015

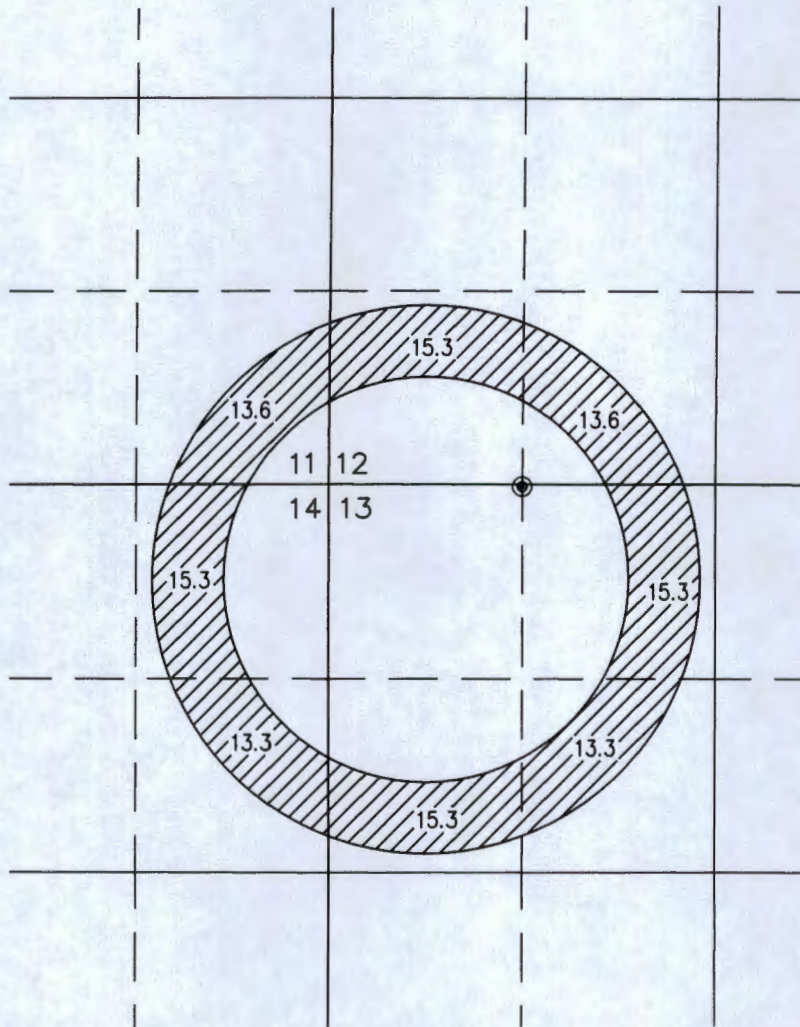
SALEM, OR

PROJECT No. 15-074

PREPARED AT THE REQUEST OF  
JRS PROPERTIES III  
P.O. BOX 27  
BOISE, ID 83707 | 12171

# MAP TO ACCOMPANY APPLICATION TO CHANGE PLACE OF USE AND POINT OF APPROPRIATION FOR JRS PROPERTIES III

"T0" TAX LOT 500 IN  
SECTIONS 11, 12, 13 & 14, TOWNSHIP 28 SOUTH, RANGE 15 EAST, W.M.  
LAKE COUNTY, OREGON



LAKE 4283 T-6501

● ZX WELL #19 LOCATED IN THE NW 1/4 NW 1/4 SECTION 13 AND 15 FEET  
SOUTH AND 1320 FEET EAST FROM THE NW CORNER.



115.0 ACRES WATER RIGHTS FROM C #65757  
(G-6772) TRANSFERRED, AS SHOWN.

THIS MAP IS FOR THE PURPOSE OF LOCATING A WATER  
RIGHT ONLY AND HAS NO INTENT TO PROVIDE LEGAL  
DIMENSIONS OR THE LOCATION OF PROPERTY LINES.



RENEWAL DATE: 12/31/2016

**ALL POINTS ENGINEERING  
& SURVEYING, INC.**



P.O. BOX 767  
TERREBONNE, OREGON 97760  
(541) 548-5833 PH  
Scott@APEandS.com  
www.APEandS.com

RECEIVED BY OWRD

SEP 25 2015

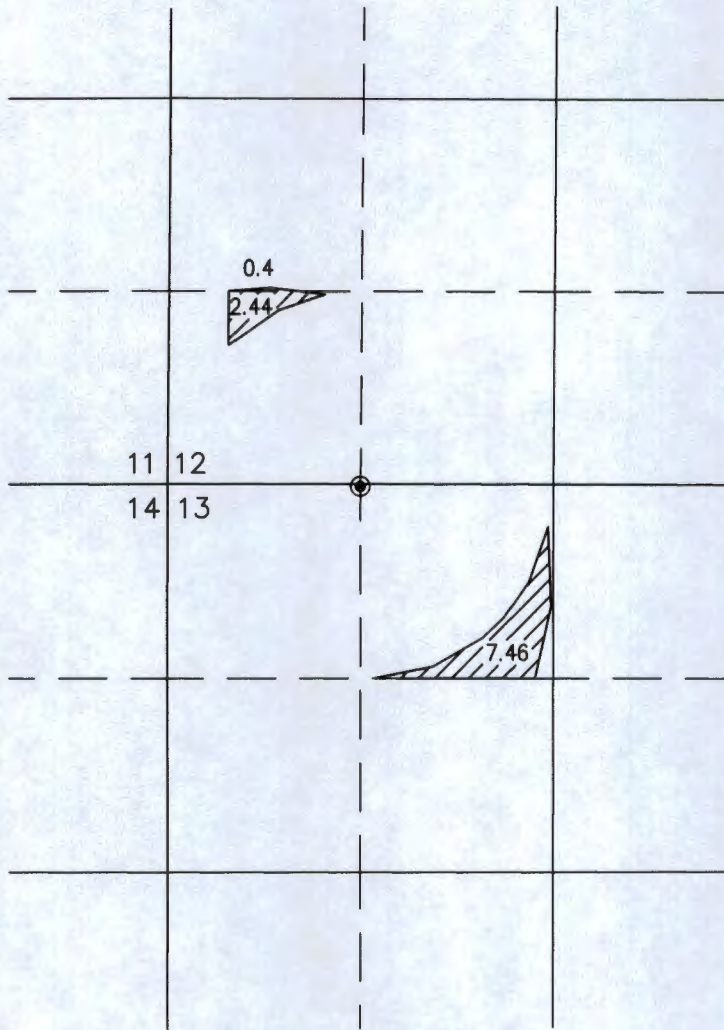
SALEM, OR

PROJECT No. 15-074

PREPARED AT THE REQUEST OF  
JRS PROPERTIES III  
P.O. BOX 27  
BOISE, ID 83707 T 12171

# MAP TO ACCOMPANY APPLICATION TO CHANGE PLACE OF USE AND POINT OF APPROPRIATION FOR JRS PROPERTIES III

"FROM" TAX LOT 500 IN  
SECTIONS 12 & 13, TOWNSHIP 28 SOUTH, RANGE 15 EAST, W.M.  
LAKE COUNTY, OREGON



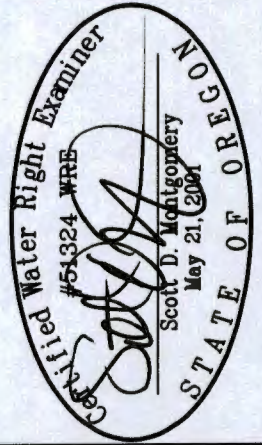
LAKE 4283 T-6501

● ZX WELL #19 LOCATED IN THE NW 1/4 NW 1/4 SECTION 13 AND 2627 FEET  
NORTH AND 3961 FEET WEST FROM THE E 1/4 CORNER.



10.3 ACRES WATER RIGHTS FROM C #76036  
(G-6772) TRANSFERRED, AS SHOWN.

THIS MAP IS FOR THE PURPOSE OF LOCATING A WATER  
RIGHT ONLY AND HAS NO INTENT TO PROVIDE LEGAL  
DIMENSIONS OR THE LOCATION OF PROPERTY LINES.



RENEWAL DATE: 12/31/2016

**ALL POINTS ENGINEERING  
& SURVEYING, INC.**

P.O. BOX 767  
TERREBONNE, OREGON 97760  
(541) 548-5833 PH  
Scott@APEandS.com  
www.APEandS.com



RECEIVED BY OWRD

SEP 25 2015

SALEM, OR

PROJECT No. 15-074

PREPARED AT THE REQUEST OF:

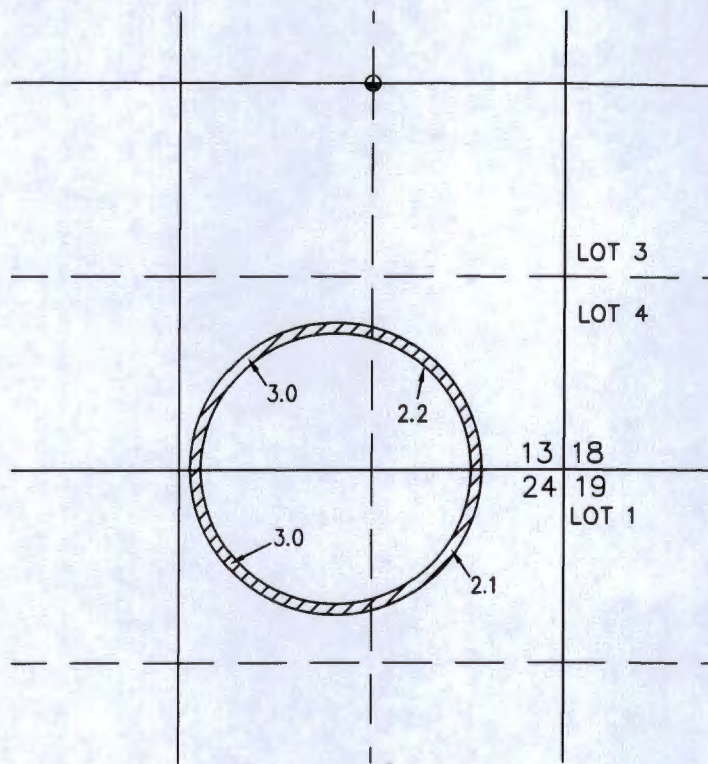
JRS PROPERTIES III

P.O. BOX 27

BOISE, ID 83707 | 12171

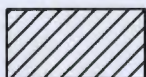
# MAP TO ACCOMPANY APPLICATION TO CHANGE PLACE OF USE AND POINT OF APPROPRIATION FOR JRS PROPERTIES III

"TO" TAX LOT 500 IN  
SECTIONS 13 & 24, TOWNSHIP 28 SOUTH, RANGE 15 EAST, W.M.  
LAKE COUNTY, OREGON



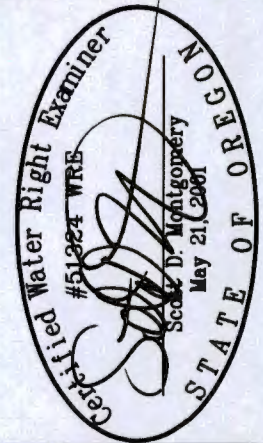
LAKE 1333 T-6552

- VAUGHN VALLEY WELL #1 LOCATED IN THE NW 1/4 SE 1/4 SECTION 13 AND 2640 FEET NORTH AND 1320 FEET WEST FROM THE SE CORNER.



10.3 ACRES WATER RIGHTS FROM C #76036 (G-6772) TRANSFERRED, AS SHOWN.

THIS MAP IS FOR THE PURPOSE OF LOCATING A WATER RIGHT ONLY AND HAS NO INTENT TO PROVIDE LEGAL DIMENSIONS OR THE LOCATION OF PROPERTY LINES.



RENEWAL DATE: 12/31/2016

**ALL POINTS ENGINEERING  
& SURVEYING, INC.**

P.O. BOX 767  
TERREBONNE, OREGON 97760  
(541) 548-5833 PH  
Scott@APEandS.com  
www.APEandS.com



RECEIVED BY OWRD

SEP 25 2015

SALEM, OR

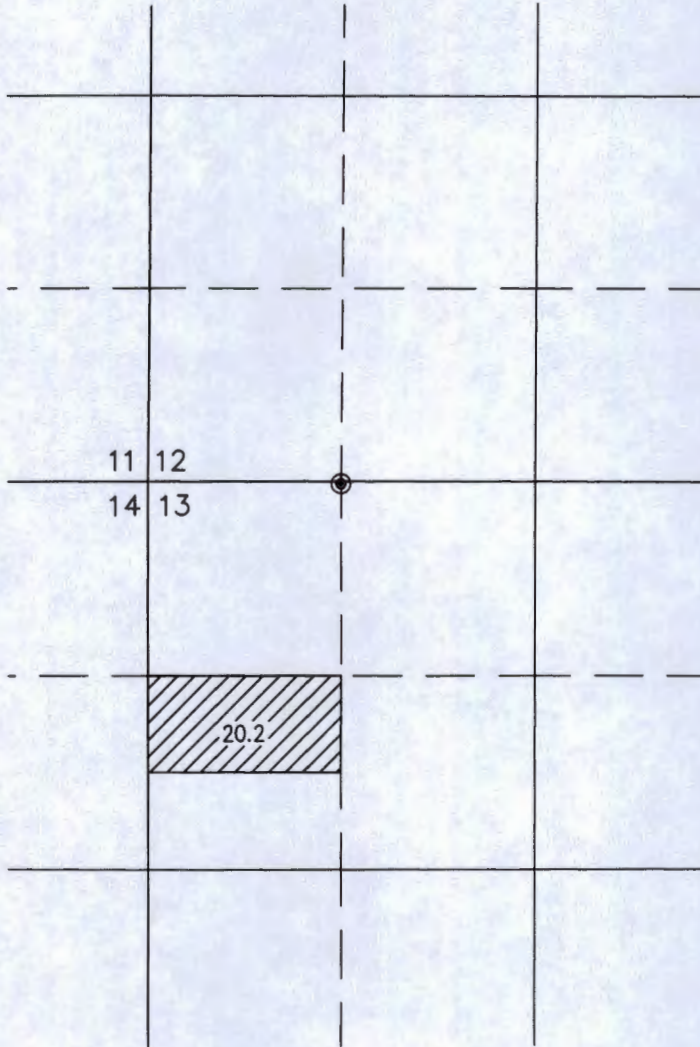
PROJECT No. 15-074

PREPARED AT THE REQUEST OF:  
JRS PROPERTIES III  
P.O. BOX 27  
BOISE, ID 83707 | 12171



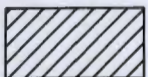
MAP TO ACCOMPANY APPLICATION  
TO CHANGE PLACE OF USE  
AND POINT OF APPROPRIATION  
FOR  
JRS PROPERTIES III

"FROM" TAX LOT 500 IN  
SECTION 13, TOWNSHIP 28 SOUTH, RANGE 15 EAST, W.M.  
LAKE COUNTY, OREGON



LAKE 4283 T-6502

● ZX WELL #19 LOCATED IN THE NW 1/4 NW 1/4 SECTION 13 AND 2627 FEET  
NORTH AND 3961 FEET WEST FROM THE E 1/4 CORNER.



20.2 ACRES WATER RIGHTS FROM C #76037  
(G-8988) TRANSFERRED, AS SHOWN.

THIS MAP IS FOR THE PURPOSE OF LOCATING A WATER  
RIGHT ONLY AND HAS NO INTENT TO PROVIDE LEGAL  
DIMENSIONS OR THE LOCATION OF PROPERTY LINES.



RENEWAL DATE: 12/31/2016

ALL POINTS ENGINEERING  
& SURVEYING, INC.

P.O. BOX 767  
TERREBONNE, OREGON 97760  
(541) 548-5833 PH  
Scott@APEandS.com  
www.APEandS.com



RECEIVED BY OWRD

SEP 25 2015

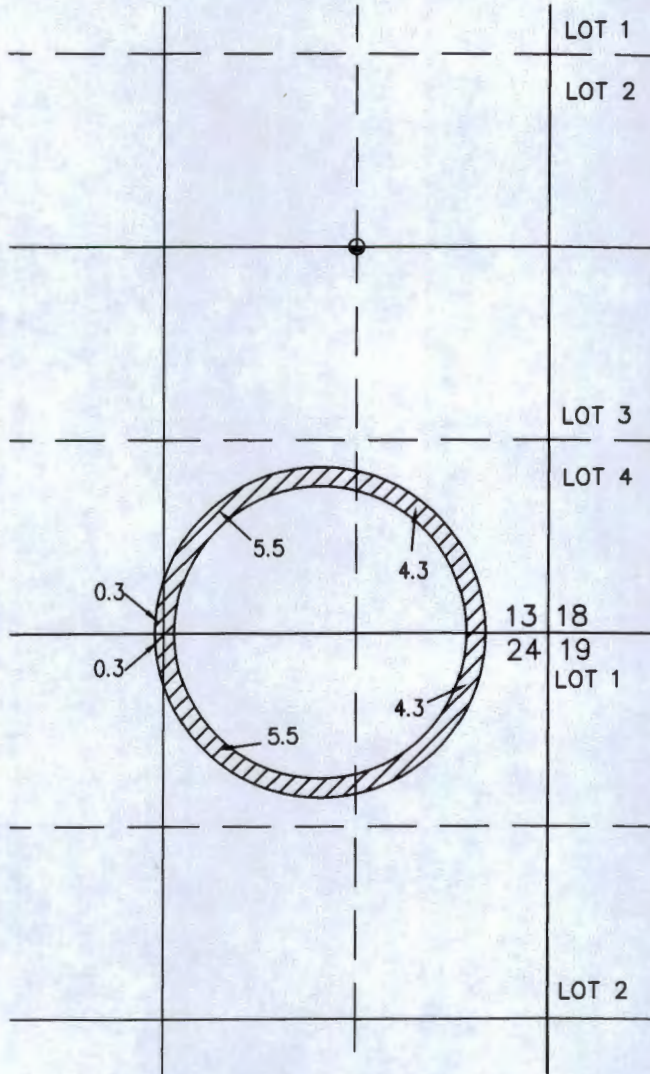
SALEM, OR

PROJECT No. 15-074

PREPARED AT THE REQUEST OF  
JRS PROPERTIES III  
P.O. BOX 27  
BOISE, ID 83707 T 12171

# MAP TO ACCOMPANY APPLICATION TO CHANGE PLACE OF USE AND POINT OF APPROPRIATION FOR JRS PROPERTIES III

"TO" TAX LOT 500 IN  
SECTIONS 13 & 24, TOWNSHIP 28 SOUTH, RANGE 15 EAST, W.M.  
LAKE COUNTY, OREGON



LAKE 1333 T-6502

- VAUGHN VALLEY WELL #1 LOCATED IN THE NW 1/4 SE 1/4 SECTION 13 AND 2640 FEET NORTH AND 1320 FEET WEST FROM THE SE CORNER.



20.2 ACRES WATER RIGHTS FROM C #76037  
(G-8988) TRANSFERRED, AS SHOWN.

THIS MAP IS FOR THE PURPOSE OF LOCATING A WATER  
RIGHT ONLY AND HAS NO INTENT TO PROVIDE LEGAL  
DIMENSIONS OR THE LOCATION OF PROPERTY LINES.



RENEWAL DATE: 12/31/2016

**ALL POINTS ENGINEERING  
& SURVEYING, INC.**

P.O. BOX 767  
TERREBONNE, OREGON 97760  
(541) 548-5833 PH  
Scott@APEandS.com  
www.APEandS.com



RECEIVED BY OWRD

SEP 25 2015

SALEM, OR

PROJECT No. 15-074

PREPARED AT THE REQUEST OF:

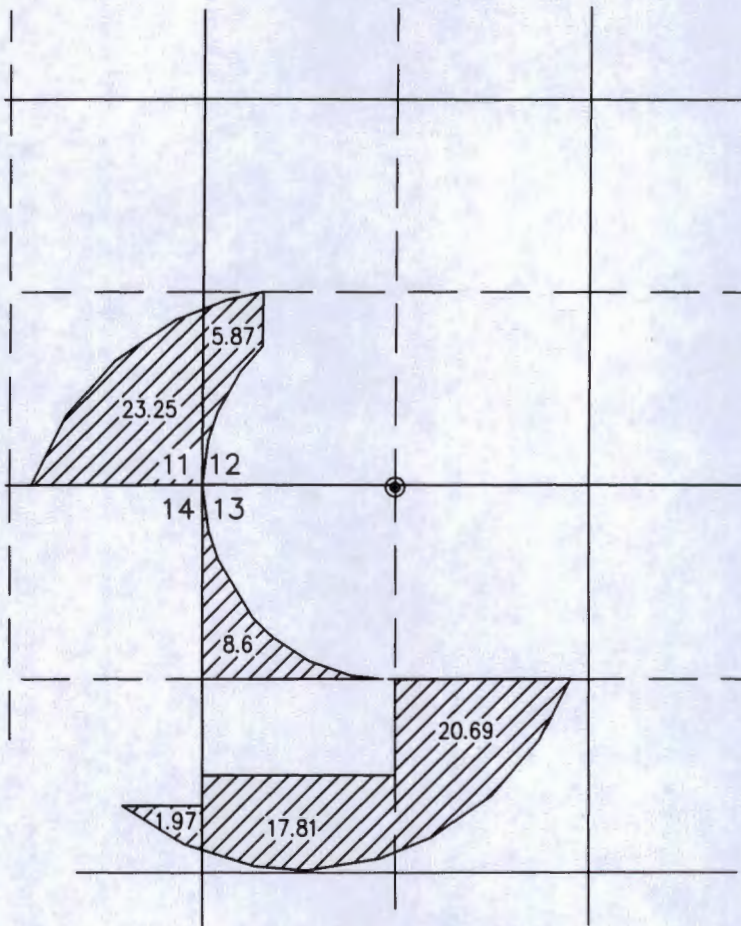
JRS PROPERTIES III

P.O. BOX 27

BOISE, ID 83707 T 12171

# MAP TO ACCOMPANY APPLICATION TO CHANGE PLACE OF USE AND POINT OF APPROPRIATION FOR JRS PROPERTIES III

"FROM" TAX LOT 500 IN  
SECTIONS 11, 12, 13, & 14, TOWNSHIP 28 SOUTH, RANGE 15 EAST, W.M.  
LAKE COUNTY, OREGON



LAKE 4283 T-6505

- ZX WELL #19 LOCATED IN THE NW 1/4 NW 1/4 SECTION 13 AND 2627 FEET NORTH AND 3961 FEET WEST FROM THE E 1/4 CORNER.



78.19 ACRES WATER RIGHTS FROM C #76042 (G-6051) TRANSFERRED, AS SHOWN.

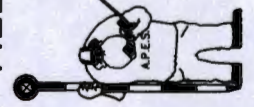
THIS MAP IS FOR THE PURPOSE OF LOCATING A WATER RIGHT ONLY AND HAS NO INTENT TO PROVIDE LEGAL DIMENSIONS OR THE LOCATION OF PROPERTY LINES.



RENEWAL DATE: 12/31/2016

**ALL POINTS ENGINEERING  
& SURVEYING, INC.**

P.O. BOX 767  
TERREBONNE, OREGON 97760  
(541) 548-5833 PH  
Scott@APEandS.com  
www.APEandS.com



RECEIVED BY OWPD

SEP 25 2015

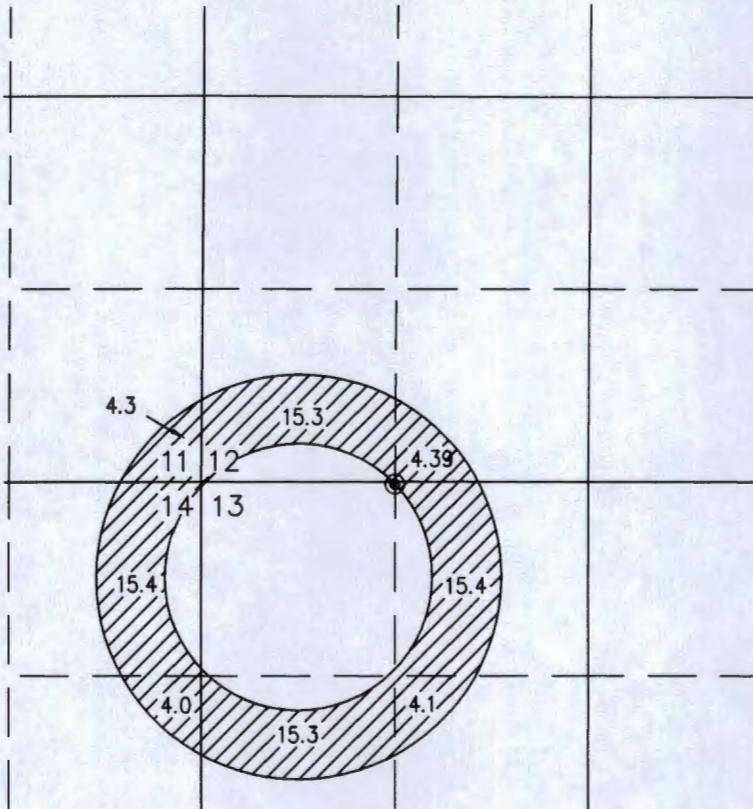
SALEM, OR

PROJECT No. 15-074

PREPARED AT THE REQUEST OF  
JRS PROPERTIES III  
P.O. BOX 27  
BOISE, ID 83707 | 12171

# MAP TO ACCOMPANY APPLICATION TO CHANGE PLACE OF USE AND POINT OF APPROPRIATION FOR JRS PROPERTIES III

"TO" TAX LOT 500 IN  
SECTIONS 11, 12, 13, & 14, TOWNSHIP 28 SOUTH, RANGE 15 EAST, W.M.  
LAKE COUNTY, OREGON



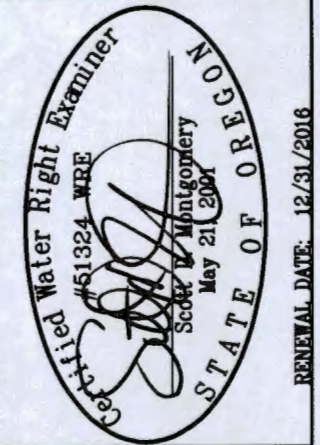
LAKE 4283T-6505

- ZX WELL #19 LOCATED IN THE NW 1/4 NW 1/4 SECTION 13 AND 2627 FEET NORTH AND 3961 FEET WEST FROM THE E 1/4 CORNER.



78.19 ACRES WATER RIGHTS FROM C #76042 (G-6051) TRANSFERRED, AS SHOWN.

THIS MAP IS FOR THE PURPOSE OF LOCATING A WATER RIGHT ONLY AND HAS NO INTENT TO PROVIDE LEGAL DIMENSIONS OR THE LOCATION OF PROPERTY LINES.



**ALL POINTS ENGINEERING  
& SURVEYING, INC.**

P.O. BOX 767  
TERREBONNE, OREGON 97760  
(541) 548-5833 PH  
Scott@APEandS.com  
www.APEandS.com



RECEIVED BY OWRD

SEP 25 2015

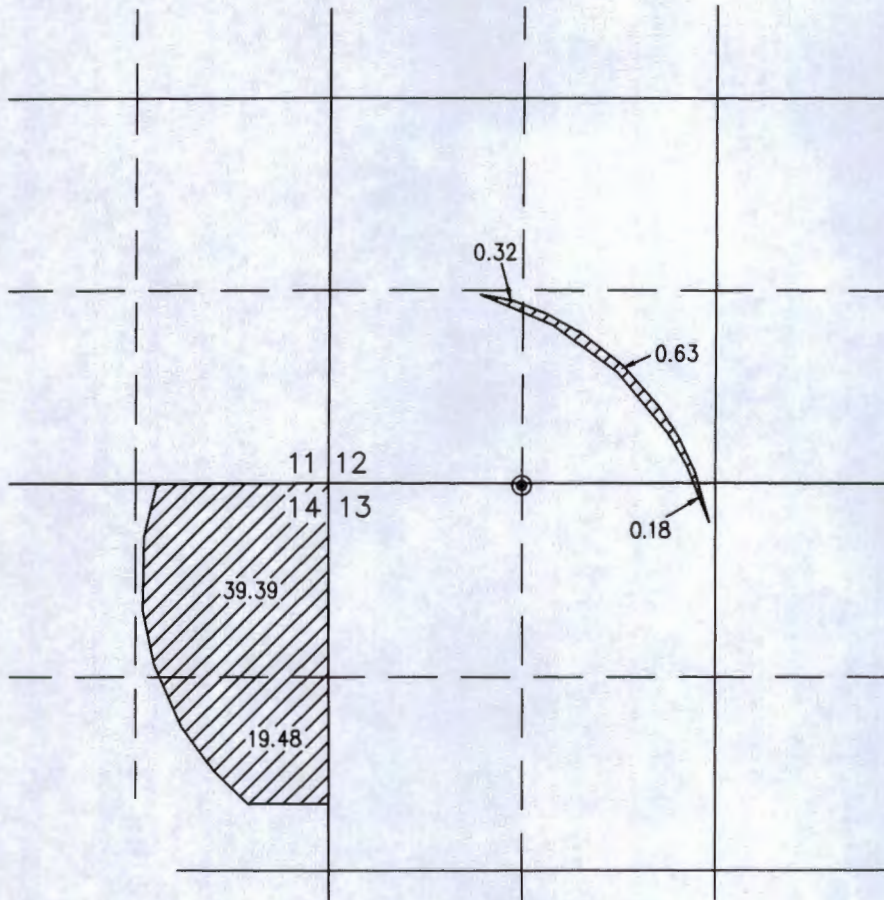
SALEM, OR 97171

PROJECT No. 15-074

PREPARED AT THE REQUEST OF:  
JRS PROPERTIES III  
P.O. BOX 27  
BOISE, ID 83707 i 12171

# MAP TO ACCOMPANY APPLICATION TO CHANGE PLACE OF USE AND POINT OF APPROPRIATION FOR JRS PROPERTIES III

"FROM" TAX LOT 500 IN  
SECTIONS 12, 13, & 14, TOWNSHIP 28 SOUTH, RANGE 15 EAST, W.M.  
LAKE COUNTY, OREGON



LAKE 4283 T-6502

● ZX WELL #19 LOCATED IN THE NW 1/4 NW 1/4 SECTION 13 AND 2627 FEET  
NORTH AND 3961 FEET WEST FROM THE E 1/4 CORNER.



60.0 ACRES WATER RIGHTS FROM C #76043  
(G-411) TRANSFERRED, AS SHOWN.

THIS MAP IS FOR THE PURPOSE OF LOCATING A WATER  
RIGHT ONLY AND HAS NO INTENT TO PROVIDE LEGAL  
DIMENSIONS OR THE LOCATION OF PROPERTY LINES.



RENEWAL DATE: 12/31/2016

**ALL POINTS ENGINEERING  
& SURVEYING, INC.**

P.O. BOX 767  
TERREBONNE, OREGON 97760  
(541) 548-5833 PH  
Scott@APEandS.com  
www.APEandS.com



RECEIVED BY OWRD

SEP 25 2015

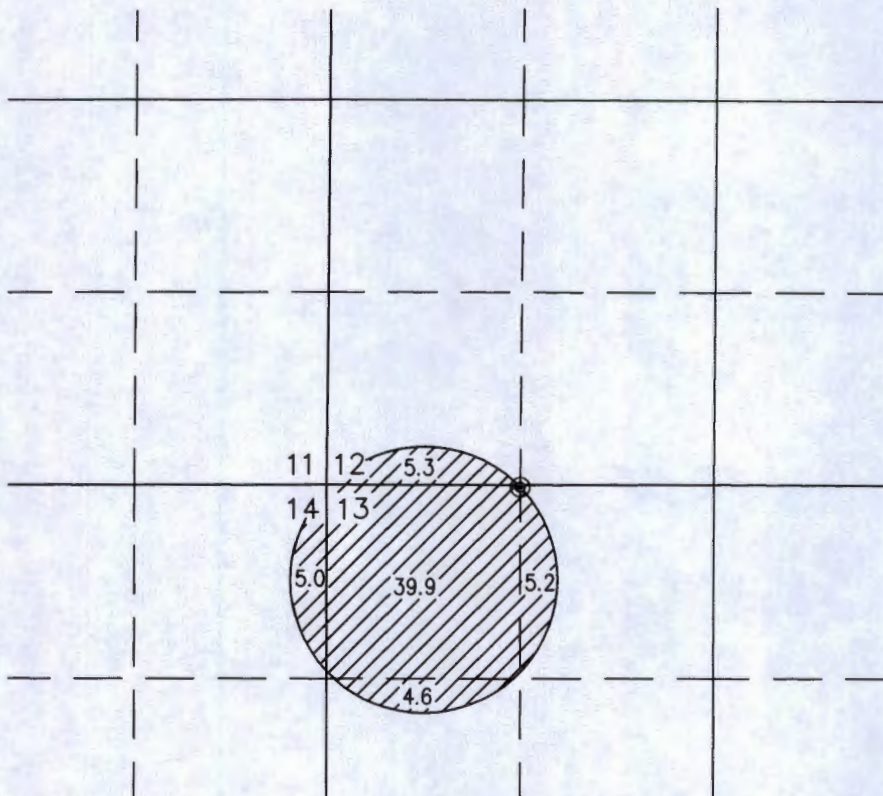
SALEM, OR

PROJECT No. 15-074

PREPARED AT THE REQUEST OF:  
JRS PROPERTIES III  
P.O. BOX 27 | 12171  
BOISE, ID 83707

# MAP TO ACCOMPANY APPLICATION TO CHANGE PLACE OF USE AND POINT OF APPROPRIATION FOR JRS PROPERTIES III

"70" TAX LOT 500 IN  
SECTIONS 12, 13 & 14, TOWNSHIP 28 SOUTH, RANGE 15 EAST, W.M.  
LAKE COUNTY, OREGON



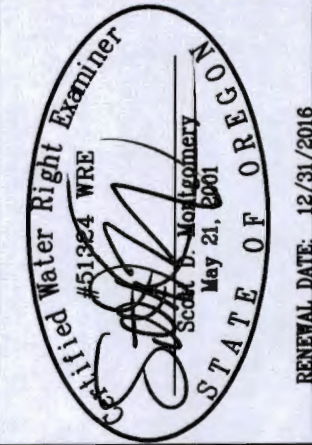
LAKE 4283T-6502

- ZX WELL #19 LOCATED IN THE NW 1/4 NW 1/4 SECTION 13 AND 2627 FEET NORTH AND 3961 FEET WEST FROM THE E 1/4 CORNER.



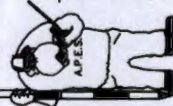
60.0 ACRES WATER RIGHTS FROM C #76043 (G-411) TRANSFERRED, AS SHOWN.

THIS MAP IS FOR THE PURPOSE OF LOCATING A WATER RIGHT ONLY AND HAS NO INTENT TO PROVIDE LEGAL DIMENSIONS OR THE LOCATION OF PROPERTY LINES.



**ALL POINTS ENGINEERING  
& SURVEYING, INC.**

P.O. BOX 767  
TERREBONNE, OREGON 97760  
(541) 548-5833 PH  
Scott@APEandS.com  
www.APEandS.com



RECEIVED BY OWRD

SEP 26 2015

SALEM, OR

PROJECT No. 15-074

PREPARED AT THE REQUEST OF:

JRS PROPERTIES III

P.O. BOX 27  
BOISE, ID 83707

12171