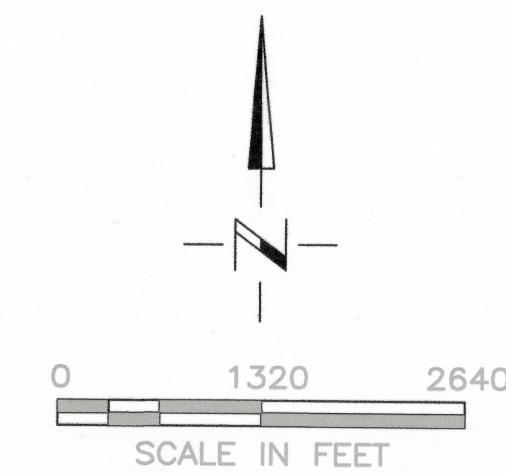


# 3/9/2017 2017 ECHO IRRIGATION DISTRICT TEMPORARY TRANSFER MAP UMATILLA COUNTY, OREGON



THE AREAS OUTSIDE CIRCLES BEING TRANSFERRED IN SEC 6 & 7 T.3N. R.30E., SEC 1, 2 & 24 T.3N. R.29E. DESCRIBED IN WATER RIGHT PERMIT S-54773 WILL NOT BE USED OR TRANSFERRED DURING THE 2017 IRRIGATION SEASON.

CIRCLE NUMBER (TYPICAL)  
EXISTING PIPE AND SIZE  
TAX LOT NUMBER  
ECHO IRRIGATION DISTRICT BOUNDARY

EXISTING 36.3 ACRES WATER RIGHT DESCRIBED CERT 52824, TRANSFER T-11473 WAS ALLOCATED NO WATER IN THE 2017 STAGE GULCH CRITICAL GROUND WATER ORDER THIS WATER RIGHT WILL NOT BE USED DURING THIS TRANSFER

THE AREA IN SEC 2, T.3N. R.30E. HAS A GROUND WATER RIGHT DESCRIBED IN CERT 83134. THIS WATER RIGHT WAS NOT ALLOCATED ANY WATER FOR THE 2017 IRRIGATION SEASON IN THE STAGE GULCH CRITICAL GROUND WATER ORDER. THIS TRANSFER PROPOSES TO MOVE IN GROUND WATER RIGHTS TO THESE AREAS. THIS WILL ALLOW THE IRRIGATION OF THESE AREAS WITH ALLOCATION AUTHORIZED IN THE STAGE GULCH CRITICAL GROUND WATER ORDER UNDER THESE RIGHTS.

AREA IN CIRCLE 90 IN SW 1/4 SEC 20 HAS A GROUND WATER RIGHT UNDER C84095. THIS WATER RIGHT WAS NOT ALLOCATED ANY WATER FOR THE 2016 IRRIGATION SEASON IN THE STAGE GULCH CRITICAL GROUND WATER ORDER. THIS TRANSFER PROPOSES TO MOVE IN A PORTION OF CERT 80849 AND SUPPLEMENTAL S-54773 TO THIS CIRCLE. THIS WILL ALLOW THE IRRIGATION OF THIS CIRCLE WITH ALLOCATION AUTHORIZED IN THE STAGE GULCH CRITICAL GROUND WATER ORDER UNDER THESE RIGHTS.

REFERENCES TO WATER RIGHTS LISTED IN APPLICATION

FROM	TO
1 95.0 PRIMARY PERMIT NO G-4969 CERT 85124	95.0 HALE WELLS 1, 2, 3, 4, 5, 6, 7, L* WELL
2 91.2 PRIMARY PERMIT NO G-2415 T-6787 SUPPLEMENTAL PERMIT G-4969, CERT 85124	91.2 HALE WELLS 1, 2, 3, 4, 6, 7, R1, L*
3 90.0 PRIMARY PERMIT G-5215 CERT 87042 SUPPLEMENTAL PERMIT S-54773	90.0 HALE WELLS 1, 2, 4, 6 AND 7
4 346.3 COPPINGER PERMIT NO G-6626 CERT 80849 TO COPPINGER	346.3 COPPINGER WELLS NEW C1, C2 DITCHES WELLS D1*, D2*, & H3*
5 127.2 PRIMARY PERMIT G-5215 CERT 80850	127.2 HALE WELLS 5 & 8, AND L* IN SEC 2 T.3N. R.30E.
29.5 PRIMARY PERMIT G-5215 CERT 80850, SE NW SECTION 13 CIRCLE #1 BECOMES SUPPLEMENTAL TO 29.5 ACRES OF CERT 87373 RECEIVED UNDER TEMPORARY TRANSFER COOK TO HALE PRIVATE TRANSFER	COOK TO HALE SEIBEL WELL
6 108.95 PRIMARY PERMIT G-5337 T-11149 CERT 87667	108.95 L* WELL
7 157.5 PRIMARY PERMIT G-5337 T-11149 CERT 87666	157.5 L* WELL
8 21.7 PRIMARY PERMIT U-714 CERT 74762 SUPPLEMENTAL PERMIT S-54773	21.7 HALE WELLS 1, 2, 4, 6, 7
9 111.7 PERMIT S-54773 SUPPLEMENTAL TO WATER RIGHTS WHERE INDICATED IN #3 & #8 ABOVE AND PRIMARY NOV. 1ST 2011 TO DECEMBER 31, 2011	
244.5 PRIMARY PERMIT 37121 CERT 87111 1 ACFT/AC	244.5 COLUMBIA RIVER
56.2 PRIMARY PERMIT 37121 CERT 87111 3 ACFT/AC	56.2 COLUMBIA RIVER

ACRES WITH WATER RIGHTS DESCRIBED IN CERT 87111 LOCATED IN CIRCLES 569, 573 & 568 WILL BE TRANSFERRED TO CIRCLES 2 & 3 S. OF THE FREEWAY. THE WHEAT CROP IN CIRCLES 569, 531 & 568 WILL BE IRRIGATED WITH GROUND WATER UNDER CERT 87042 THIS IRRIGATION SEASON PERMIT S-54773 WILL REMAIN WITH CIRCLES 569, 573 & 568

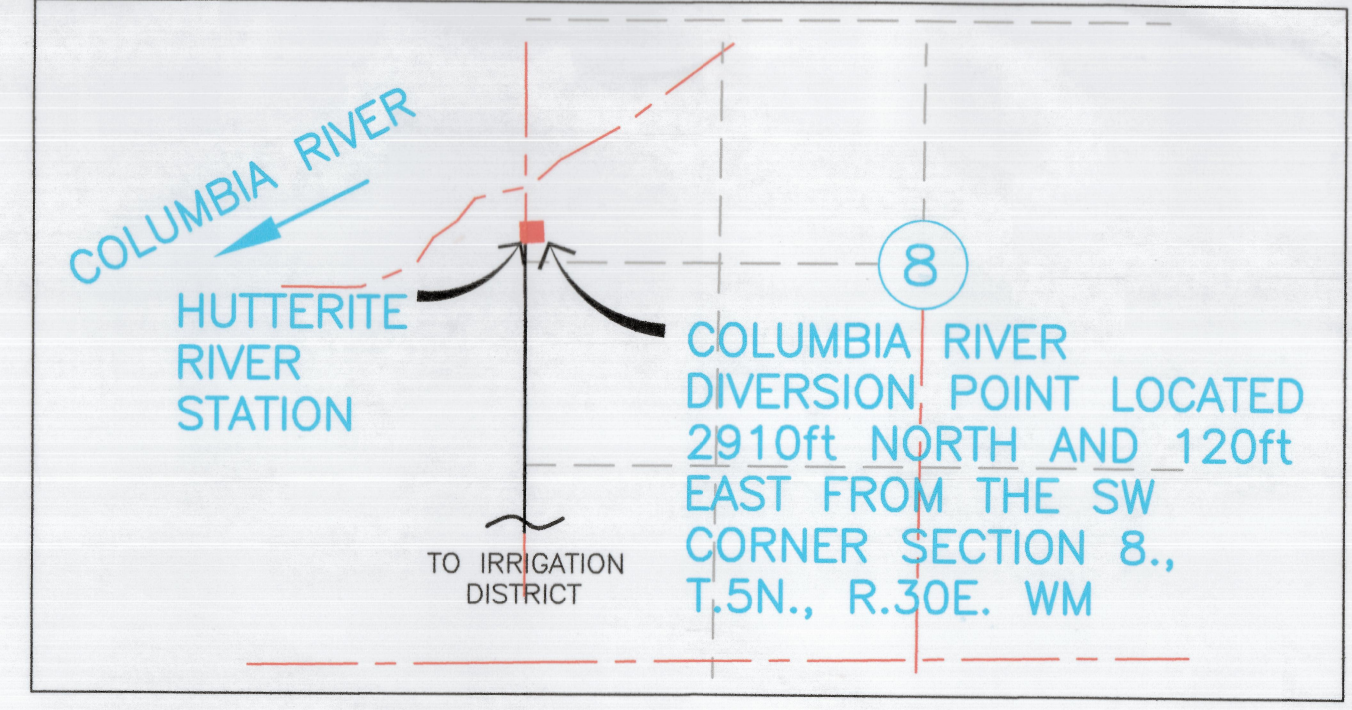
AREAS OF EXISTING WATER RIGHTS NOT INCLUDED IN THIS TRANSFER

P.O.A. AS REFERENCED IN APPLICATION

WELL LEGEND	
H1 HALE	NO ① 4340'N AND 1830'W FROM S1/4 COR, SEC 7 T3N R 30E W.M.
H2 HALE	NO ② 2010'N AND 1330'E FROM SW COR, SEC 6 T3N R 30E W.M.
H3 HALE	NO ③ 1420'S AND 40'E FROM W1/4 COR, SEC 7 T3N R 30E W.M.
H4 HALE	NO ④ 180'N AND 260'W FROM E1/4 COR, SEC 2 T3N R 29E W.M.
H5 HALE	NO ⑤ 60'N AND 590'W FROM SE COR, SEC 11 T3N R 29E W.M.
H6 HALE	NO ⑥ 132'N AND 2190'W FROM E1/4 COR, SEC 11 T3N R 29E W.M.
H7 HALE	NO ⑦ 1010'S AND 40'E FROM NW COR, SEC 12 T3N R 29E W.M.
H8 HALE	NO ⑧ 1350'S AND 50'W FROM NE COR NW 1/4 NW 1/4 SEC 14 T3N R 29E W.M.
C2 COPPINGER	NO ② 960'N AND 30'W FROM E1/4 COR, SEC 24 T3N R 29E W.M.
C3 COPPINGER	NO ③ 3960'N AND 1320'W FROM SE COR, SEC 23 T3N R 29E W.M.
PROPOSED ADDITIONAL POINTS OF APPROPRIATION	
D1 DITCHES	NO ① 30'S AND 640'W FROM THE CENTER OF SEC 30 T3N R 30E W.M.
D2 DITCHES	NO ② 100'N AND 80'E FROM THE SW CORNER OF SEC 20 T3N R 30E W.M.
C1 COPPINGER	NO ① 20'N AND 1490'W FROM E1/4 COR, SEC 24 T3N R 29E W.M.**
R1 REESE	NO ① 520'S AND 940'E FROM E1/4 COR, SEC 8 T3N R 29E W.M.
L LORENZEN	NO ① 1860'N AND 2920'E FROM W1/4 COR, SEC 35 T4N R 30E W.M.

\*\* NEW LOCATION OF COPPINGER WELL NO 1  
FLOW METERS ARE LOCATED AT THE WELLS

\* ADDITIONAL P.O.A. THIS TEMPORARY TRANSFER



RECEIVED