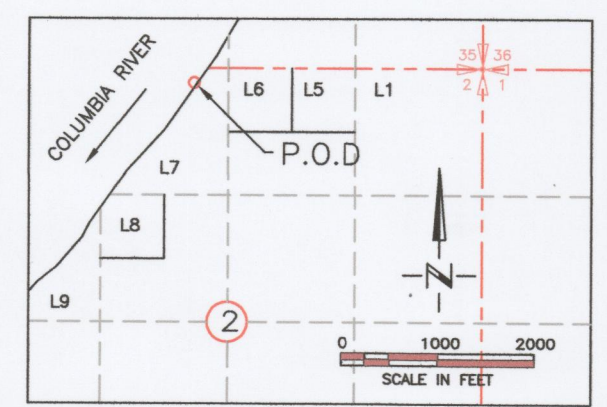
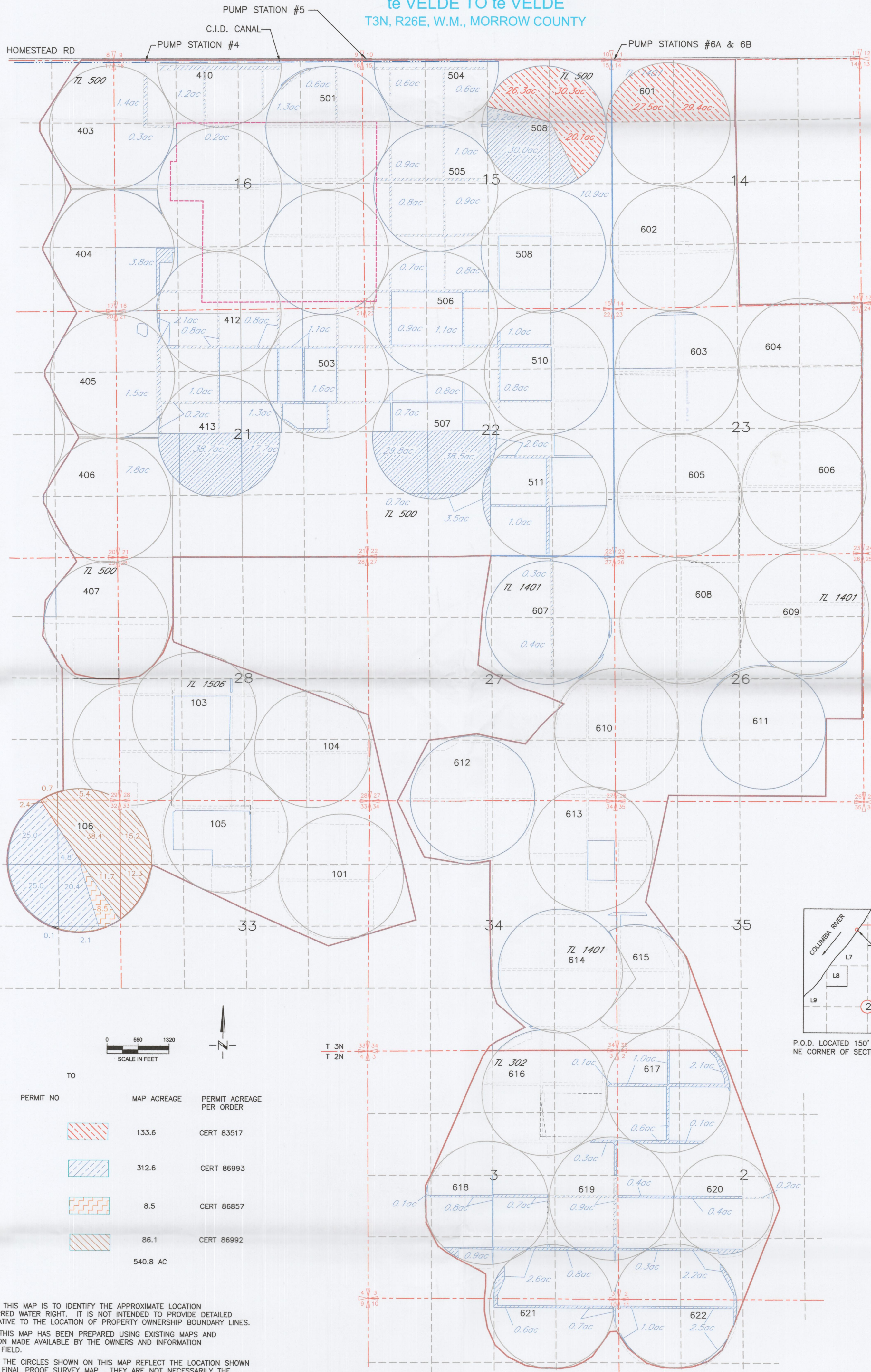
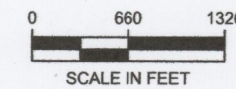


te VELDE - TIEGS 2017  
 TEMPORARY TRANSFER APPLICATION MAP  
 te VELDE TO te VELDE  
 T3N, R26E, W.M., MORROW COUNTY



P.O.D. LOCATED 150' SOUTH AND 2990' WEST FROM THE NE CORNER OF SECTION 2, T4N, R25E WM



TO PERMIT NO	MAP ACREAGE	PERMIT ACREAGE PER ORDER
133.6	133.6	CERT 83517
312.6	312.6	CERT 86993
8.5	8.5	CERT 86857
86.1	86.1	CERT 86992
	540.8 AC	

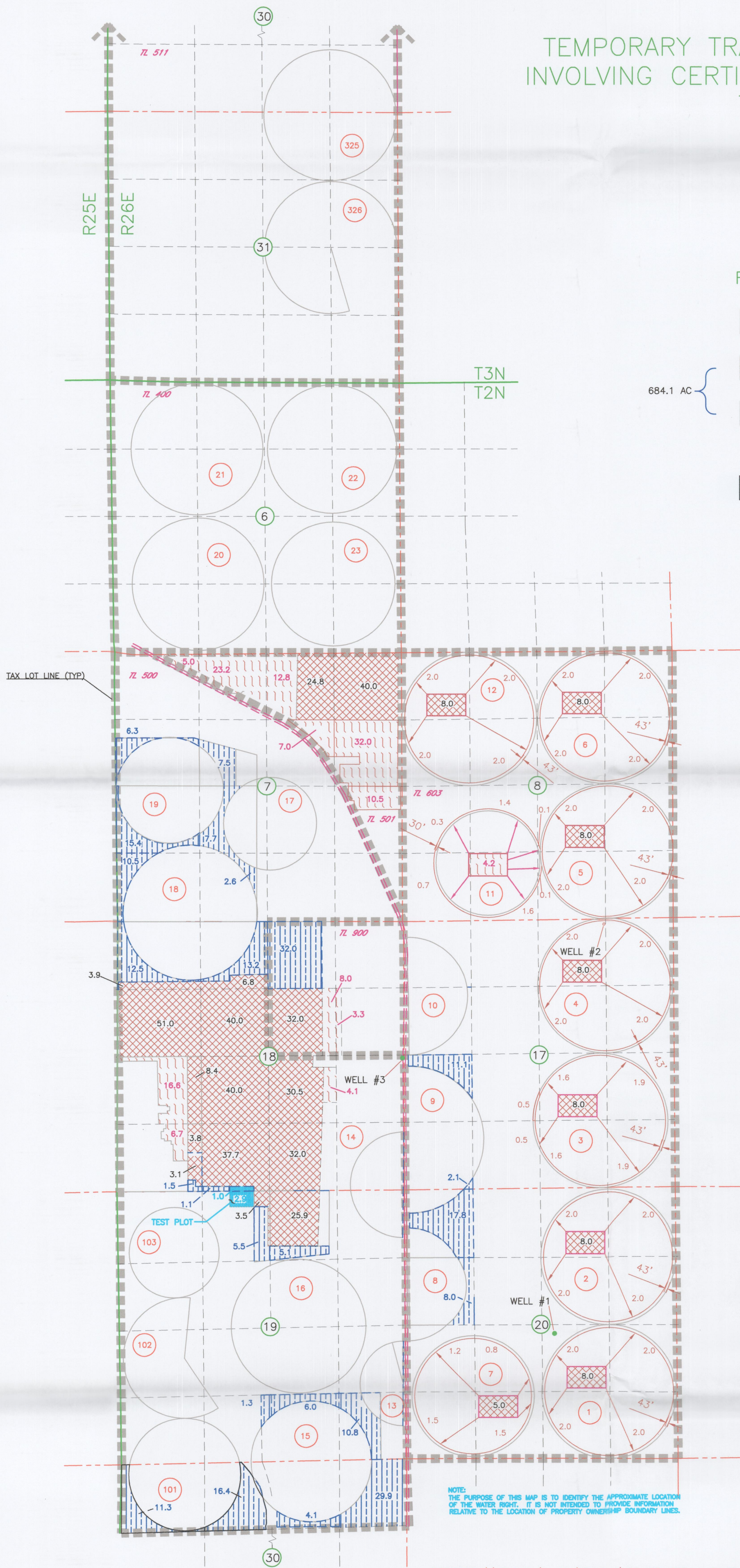
NOTE:  
 THE PURPOSE OF THIS MAP IS TO IDENTIFY THE APPROXIMATE LOCATION OF THE TRANSFERRED WATER RIGHT. IT IS NOT INTENDED TO PROVIDE DETAILED INFORMATION RELATIVE TO THE LOCATION OF PROPERTY OWNERSHIP BOUNDARY LINES. INFORMATION ON THIS MAP HAS BEEN PREPARED USING EXISTING MAPS AND OTHER INFORMATION MADE AVAILABLE BY THE OWNERS AND INFORMATION OBTAINED IN THE FIELD.  
 THE LOCATION OF THE CIRCLES SHOWN ON THIS MAP REFLECT THE LOCATION SHOWN ON THE ORIGINAL FINAL PROOF SURVEY MAP. THEY ARE NOT NECESSARILY THE SAME LOCATION AS SHOWN ON THE T-6697 APPLICATION TRANSFER MAP.

DRAWING: \\k\kfiles\public\Project\30-08-016 - Porfily Water Rights Consulting\--00 Misc Engineering\Cad\te VELDE\2016 TRANSFER\30-08-016 te Velde TO 2017.dwg  
 PRINTED BY: rwillard on 06/08/17 12:23 PM

THIS MAP WAS REVISED ON 3/23/11 BY DGV Consulting, PLLC  
 THE HATCHED AREA IN THE SENE OF SEC 29, T3N, R26E, WM WAS RECONFIGURED AND THE ACREAGE IN THE NESW OF SEC 22, T3N, R26E, WM WAS CORRECTED FROM 23.2 TO 16.9.



teVELDE - TIEGŞ  
 TIEGS TO TIEGS  
 TEMPORARY TRANSFER APPLICATION FROM MAP  
 INVOLVING CERTIFICATES 68536, 61848 & 61849  
 T2&3N, R26E WM  
 MORROW CO  
 2017



FROM

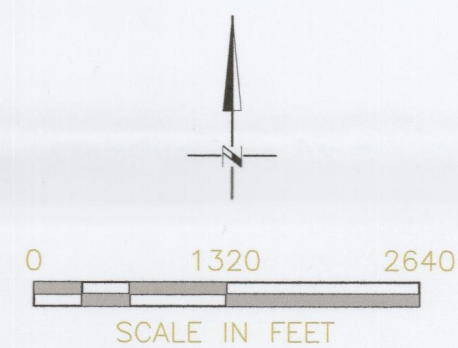
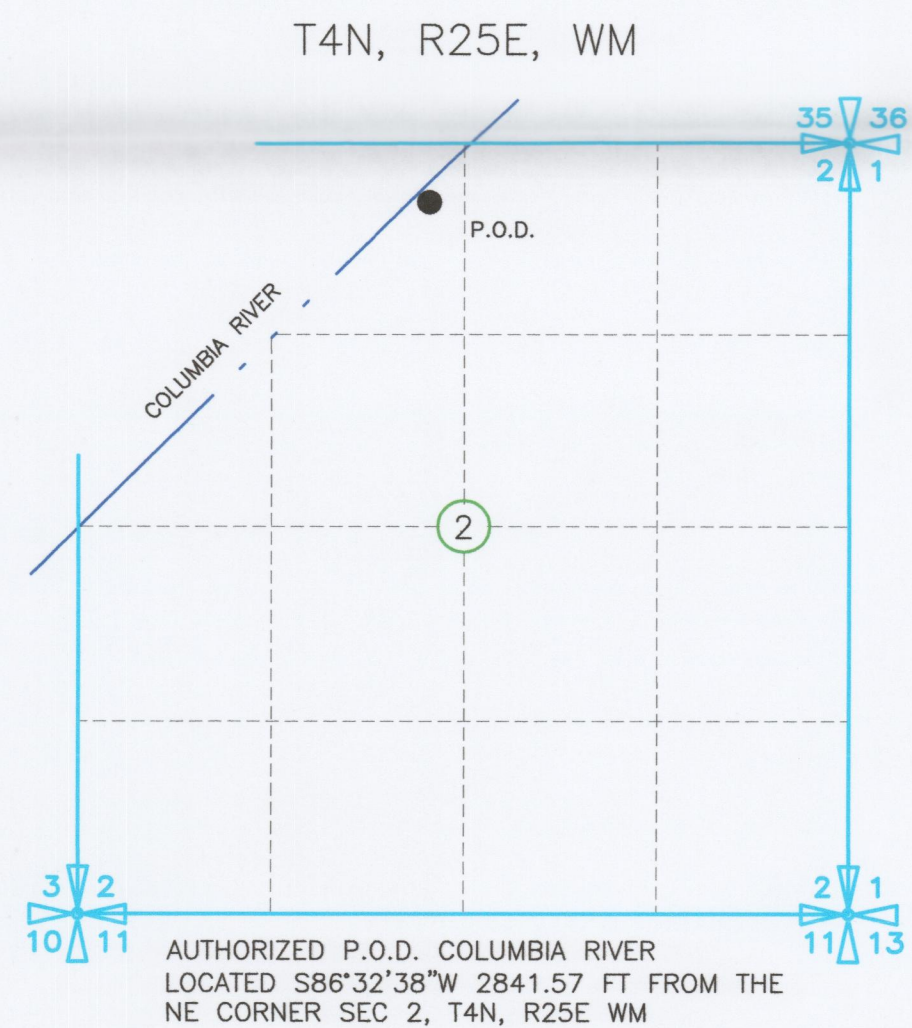
- 133.4 AC PRIMARY COLUMBIA RIVER CERT 68536
- 444.4 AC PRIMARY WELLS #1 & #3 CERT 61848 SUPPLEMENTAL COLUMBIA RIVER CERT 68536 SUPPLEMENTAL WELL #2 & #3 CERT 61849
- 239.7 AC PRIMARY WELLS #1 & #3 CERT 61848 SUPPLEMENTAL WELL #2 & #3 CERT 61849
- 817.5 AC
- 3.9 AC TEST PLOT AREA NOT INVOLVED IN THIS TRANSFER

AUTHORIZED P.O.D.  
 LOCATED S86°32'38"W 2841.57 FT FROM THE NE CORNER SEC 2, T4N, R25E WM

AUTHORIZED P.O.A.  
 WELL #1 LOCATED 2470'N AND 2910'E FROM THE SW COR SEC 20 T2N, R26E, WM

WELL #2 LOCATED 100'S AND 1350'W FROM THE NE COR SEC 17 T2N, R26E, WM

WELL #3 LOCATED 30'S AND 30'W FROM THE E ¼ COR SEC 18 T2N, R26E, WM



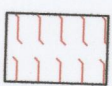
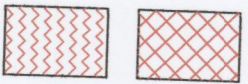

NOTE:  
 THE PURPOSE OF THIS MAP IS TO IDENTIFY THE APPROXIMATE LOCATION OF THE WATER RIGHT. IT IS NOT INTENDED TO PROVIDE INFORMATION RELATIVE TO THE LOCATION OF PROPERTY OWNERSHIP BOUNDARY LINES.

RECEIVED BY OWRD  
 JUN 15 2017  
 SALEM, OR

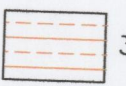



teVELDE - TIEGS  
 TIEGS TO TIEGS & teVELDE TO TIEGS  
 TEMPORARY TRANSFER APPLICATION TO MAP  
 INVOLVING CERTIFICATES 68536, 61848 & 61849  
 T2&3N, R26E WM  
 MORROW CO  
 2017

TIEGS TO TIEGS

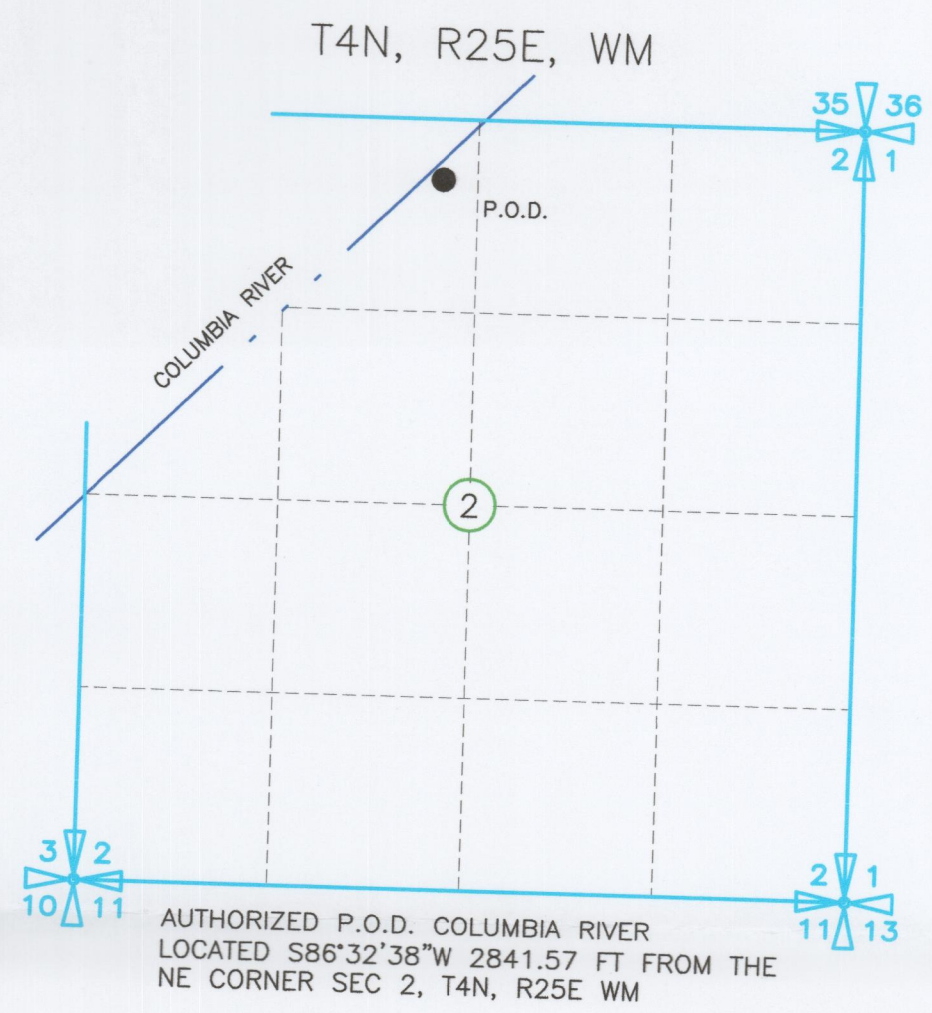
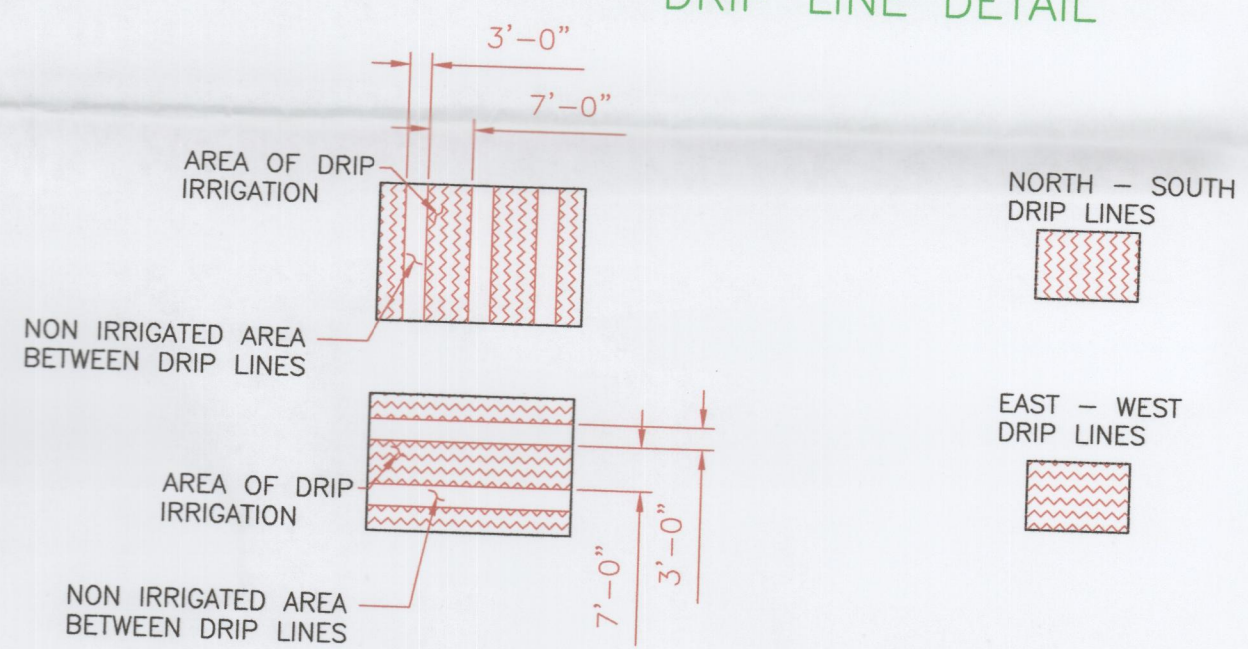
-  133.4 AC PRIMARY COLUMBIA RIVER CERT 68536
-  444.4 AC PRIMARY WELLS #1 & #3 CERT 61848  
 SUPPLEMENTAL COLUMBIA RIVER CERT 68536  
 SUPPLEMENTAL WELL #2 & #3 CERT 61849
-  239.7 AC PRIMARY WELLS #1 & #3 CERT 61848  
 SUPPLEMENTAL WELL #2 & #3 CERT 61849

te VELDE TO TIEGS

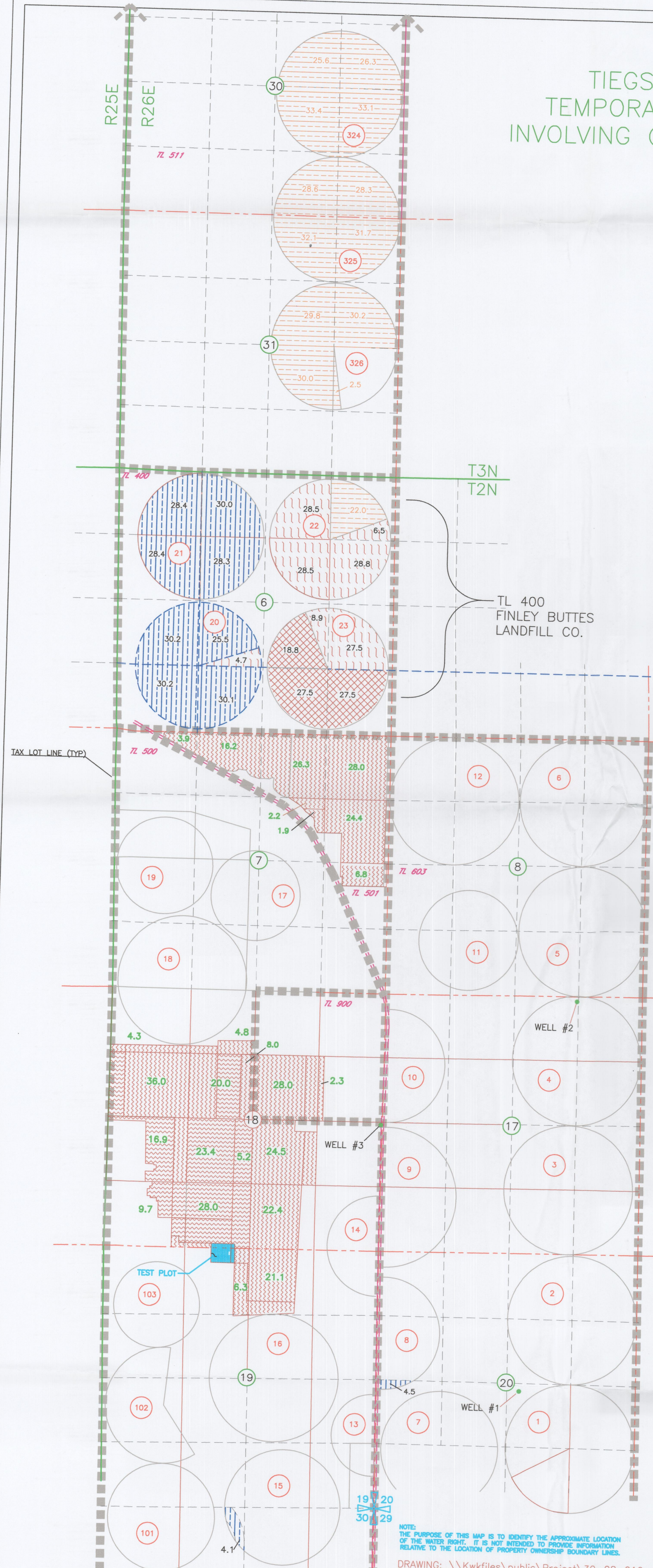
-  353.6 AC PRIMARY COLUMBIA RIVER CERT 83517
- 1171.1 AC
-  3.9 AC TEST PLOT AREA NOT INVOLVED IN THIS TRANSFER

AUTHORIZED P.O.D.  
 LOCATED S86°32'38"W 2841.57 FT FROM THE  
 NE CORNER SEC 2, T4N, R25E WM  
 AUTHORIZED P.O.A.  
 WELL #1 LOCATED 2470'N AND 2910'E FROM  
 THE SW COR SEC 20 T2N, R26E, WM  
 WELL #2 LOCATED 100'S AND 1350'W FROM  
 THE NE COR SEC 17 T2N, R26E, WM  
 WELL #3 LOCATED 30'S AND 30'W FROM THE  
 E 1/4 COR SEC 18 T2N, R26E, WM

DRIP LINE DETAIL



NOTE:  
 THE PURPOSE OF THIS MAP IS TO IDENTIFY THE APPROXIMATE LOCATION  
 OF THE WATER RIGHT. IT IS NOT INTENDED TO PROVIDE INFORMATION  
 RELATIVE TO THE LOCATION OF PROPERTY OWNERSHIP BOUNDARY LINES.  
 DRAWING: \\Kwkfiles\public\Project\30-08-016 - Porfily Water Rights Consulting\--00 Misc Engineering\Cad\TIEGS\3522300TIG TT17.dwg  
 PRINTED BY: rwillard on 06/08/17 12:33 PM



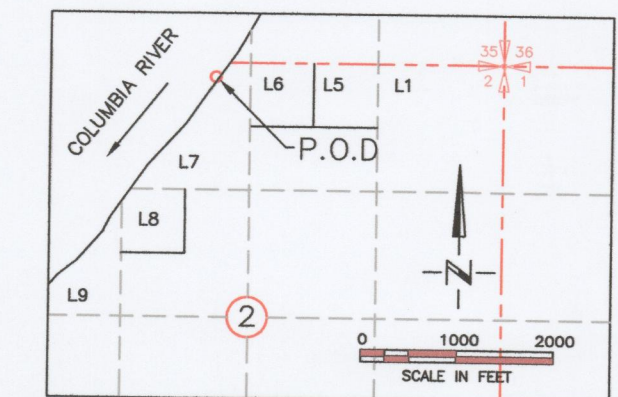
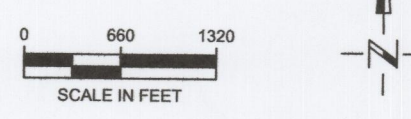
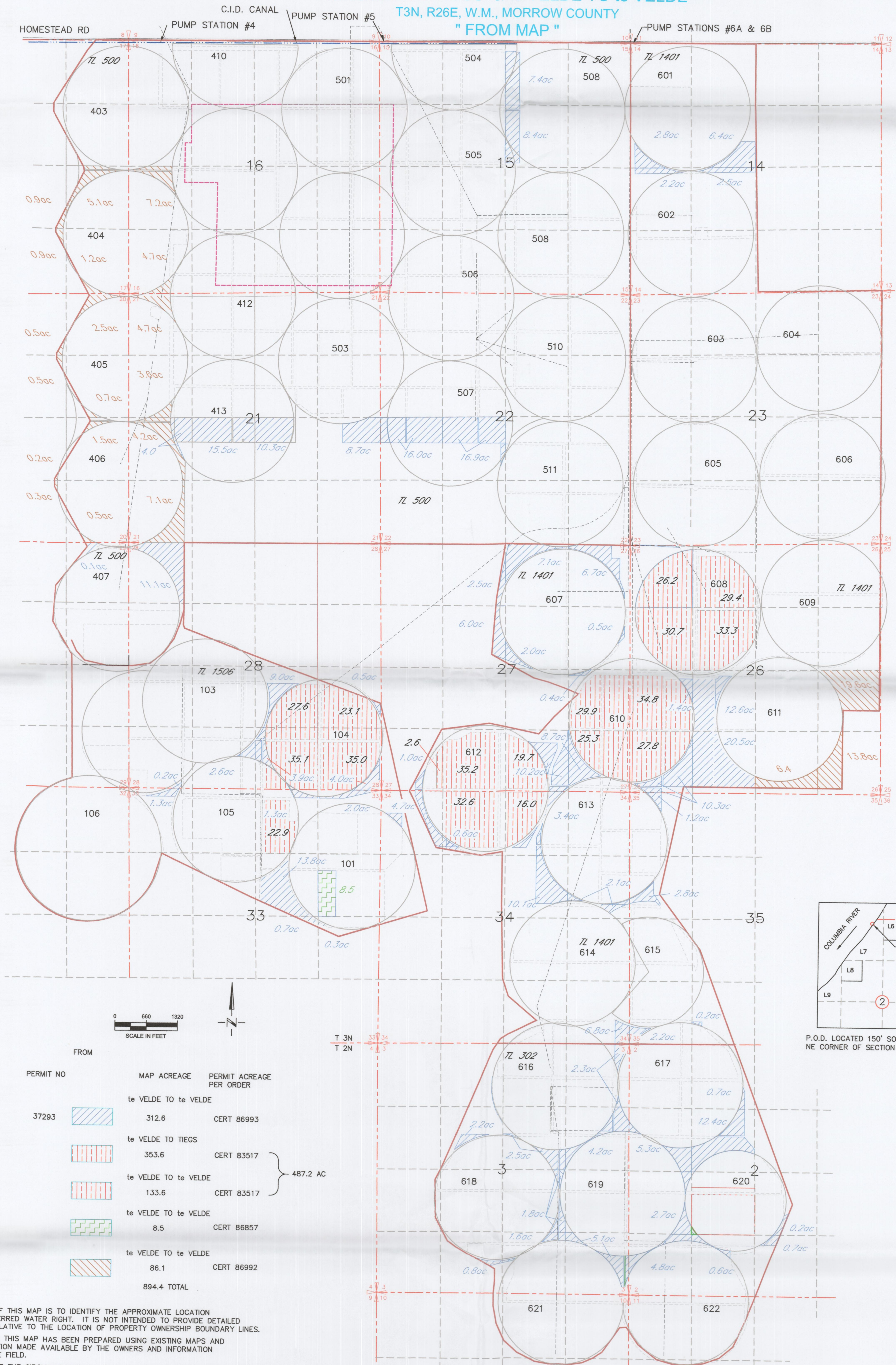


teVELDE - TIEGS 2017  
 TEMPORARY TRANSFER APPLICATION MAP  
 te VELDE TO TIEGS & te VELDE TO te VELDE  
 T3N, R26E, W.M., MORROW COUNTY  
 "FROM MAP"

RECEIVED BY OWRD

JUN 15 2017

SALEM, OR



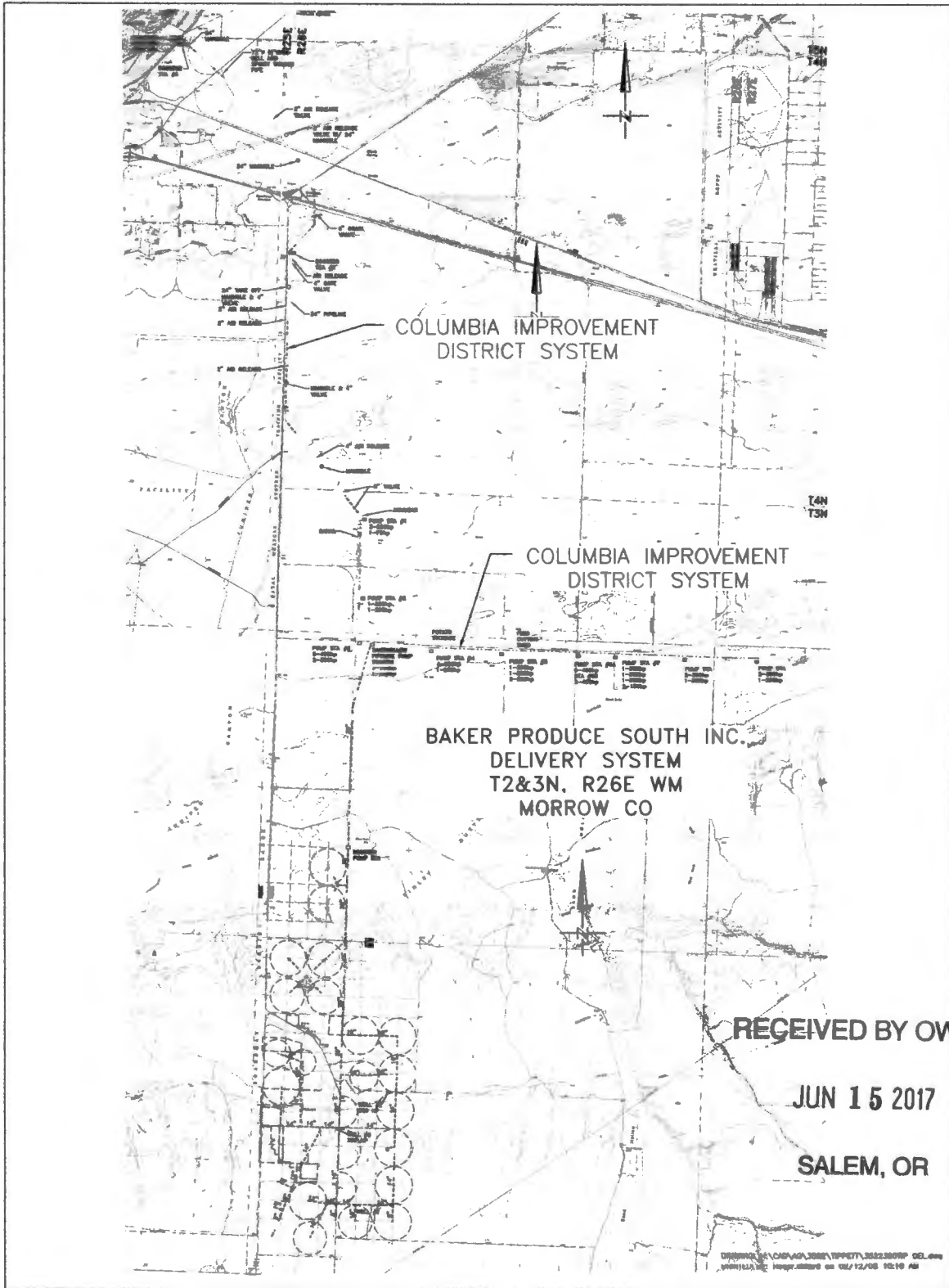
P.O.D. LOCATED 150' SOUTH AND 2990' WEST FROM THE NE CORNER OF SECTION 2, T4N, R25E WM

FROM PERMIT NO	MAP ACREAGE	PERMIT ACREAGE PER ORDER
37293	312.6	CERT 86993
	te VELDE TO te VELDE	
	353.6	CERT 83517
	te VELDE TO TIEGS	
	133.6	CERT 83517
	te VELDE TO te VELDE	} 487.2 AC
	8.5	
	te VELDE TO te VELDE	
	86.1	CERT 86992
	te VELDE TO te VELDE	
	894.4 TOTAL	

NOTE:  
 THE PURPOSE OF THIS MAP IS TO IDENTIFY THE APPROXIMATE LOCATION OF THE TRANSFERRED WATER RIGHT. IT IS NOT INTENDED TO PROVIDE DETAILED INFORMATION RELATIVE TO THE LOCATION OF PROPERTY OWNERSHIP BOUNDARY LINES. INFORMATION ON THIS MAP HAS BEEN PREPARED USING EXISTING MAPS AND OTHER INFORMATION MADE AVAILABLE BY THE OWNERS AND INFORMATION OBTAINED IN THE FIELD.  
 THE LOCATION OF THE CIRCLES SHOWN ON THIS MAP REFLECT THE LOCATION SHOWN ON THE ORIGINAL FINAL PROOF SURVEY MAP. THEY ARE NOT NECESSARILY THE SAME LOCATION AS SHOWN ON THE T-6697 APPLICATION TRANSFER MAP.

THIS MAP WAS REVISED ON 3/23/11 BY DGV Consulting, PLLC  
 THE HATCHED AREA IN THE SENE OF SEC 29, T3N, R26E, WM WAS RECONFIGURED AND THE ACREAGE IN THE NESW OF SEC 22, T3N, R26E, WM WAS CORRECTED FROM 23.2 TO 16.9.





RECEIVED BY OWRD

JUN 15 2017

SALEM, OR

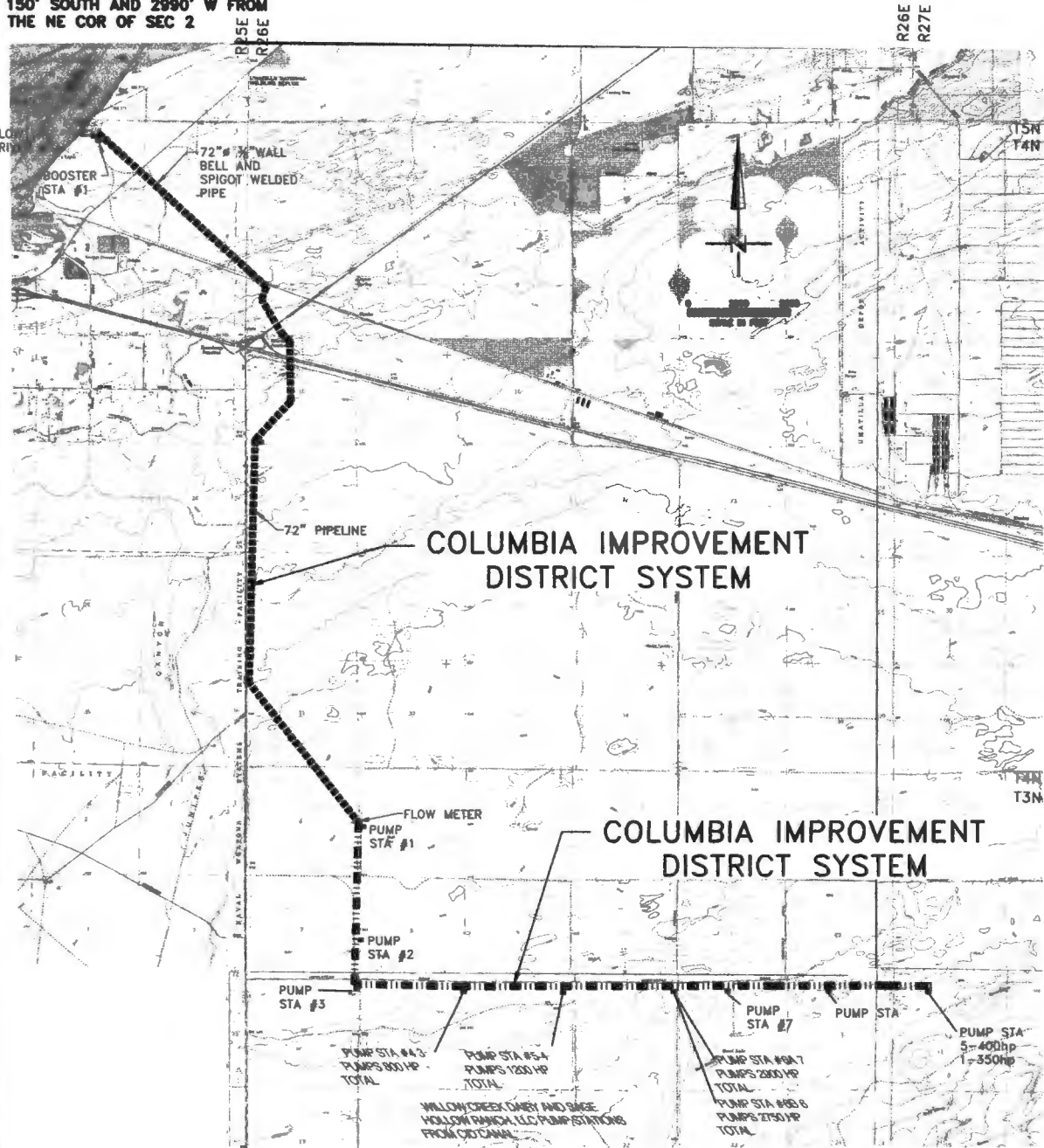
DISKING BY CAPAD,388\TPPET\352300P CL.dwg  
10/11/12 11:30:00 AM



P.O.D. COLUMBIA RIVER  
 LOCATED IN LOT 7 NE 1/4 NW  
 1/4, SEC 2, T4N, R25 EWM,  
 150' SOUTH AND 2990' W FROM  
 THE NE COR OF SEC 2

to VELDE DELIVERY SYSTEM  
 FROM THE COLUMBIA RIVER

T 2&3 N, R 26, 27 & 28 E. W.M.



RECEIVED BY OWRD

JUN 15 2017

DRAWING: \\nw\files\public\Project\30-08-016 - Portly Water Rights Consulting\--00 Misc Engineering\Cad\to VELDE\30-08-016 to Velde Del.dwg  
 PRINTED BY: rwillard on 05/17/16 09:55 AM

SALEM, OR

T012696