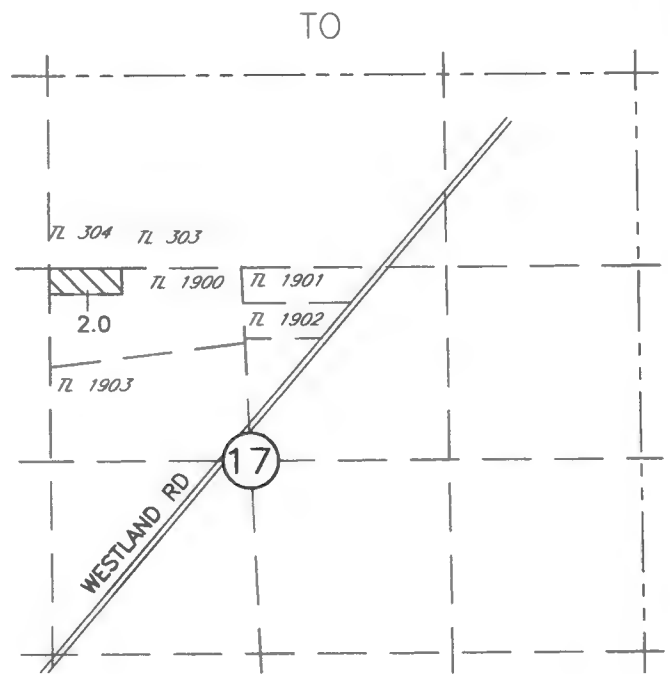
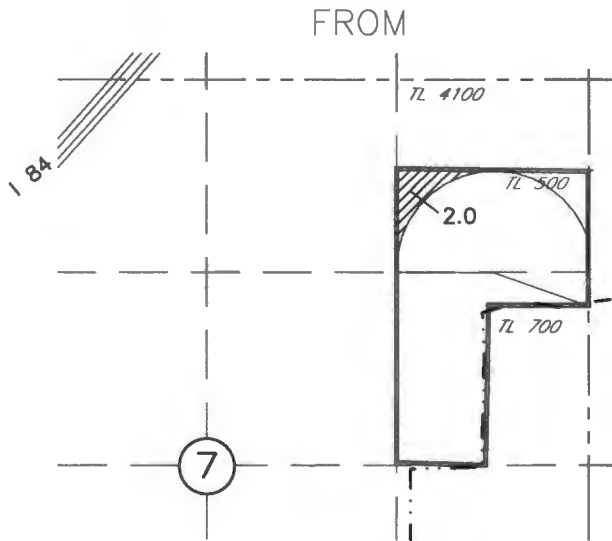
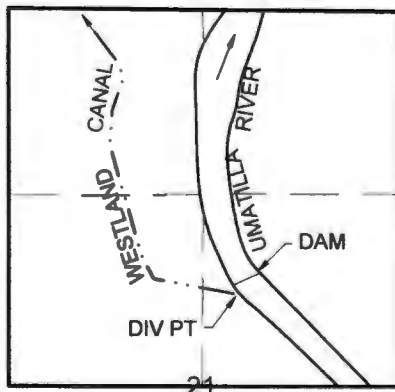


WESTLAND IRRIGATION DISTRICT  
 TRANSFER APPLICATION MAP  
 REUTER TO ROYER  
 PORTIONS OF CERTIFICATES 76717 & 79439  
 T4N R28E W.M.  
 UMATILLA COUNTY



T.3N., R.29E., W.M.

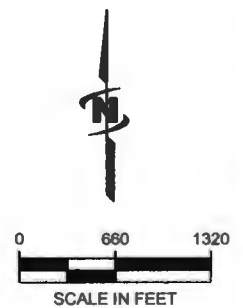


DIV PT LCT N.76°45'56"E. 2913.19' FROM  
 W.1/4 COR. SEC 21

RECEIVED BY OWRD

JUN 15 2017

SALEM, OR



NOTE:  
 THE PURPOSE OF THIS MAP IS TO IDENTIFY THE APPROXIMATE LOCATION OF THE WATER  
 RIGHT. IT IS NOT INTENDED TO PROVIDE INFORMATION RELATIVE TO THE LOCATION OF  
 PROPERTY OWNERSHIP BOUNDARY LINES.

DRAWING: \\k\kfiles\public\Project\30-08-016 - Porfily Water Rights Consulting\--00 Misc Engineering\Cad\WESTLANO\30-08-016 ROYER.dwg  
 PRINTED BY: rwillard on 05/02/17 06:05 AM



T 12695